

# REPLACEMENT PARTS MANUAL

## BLOWER COIL UNIT

MODELS: BC48B, BC60B, BC60BX

Manual 2110-106

Revision: B

Date: 04-26-93

Supersedes: 08-30-91

\*\*\*\*\*  
\* GENERAL NOTES \*  
\*\*\*\*\*

\*Revised and/or additional pages may be issued from time to time.  
\*A complete and current manual consists of pages dated as shown in the following index.

\*\*\*\*\*  
\*\* INDEX \*\*  
\*\*\*\*\*

<u>Page Description</u>	<u>Page</u>	<u>Date</u>	<u>Supersedes</u>
Cabinet Components--Exploded View	1	05-01-91	
" " --Usage List	2	04-26-93	05-01-91
Functional Components--Exploded View	3	05-01-91	
" " --Usage List	4	04-26-93	05-01-91
Coil Assembly Components--Exploded View	5	05-01-91	
" " --Usage List	6	04-26-93	08-30-91

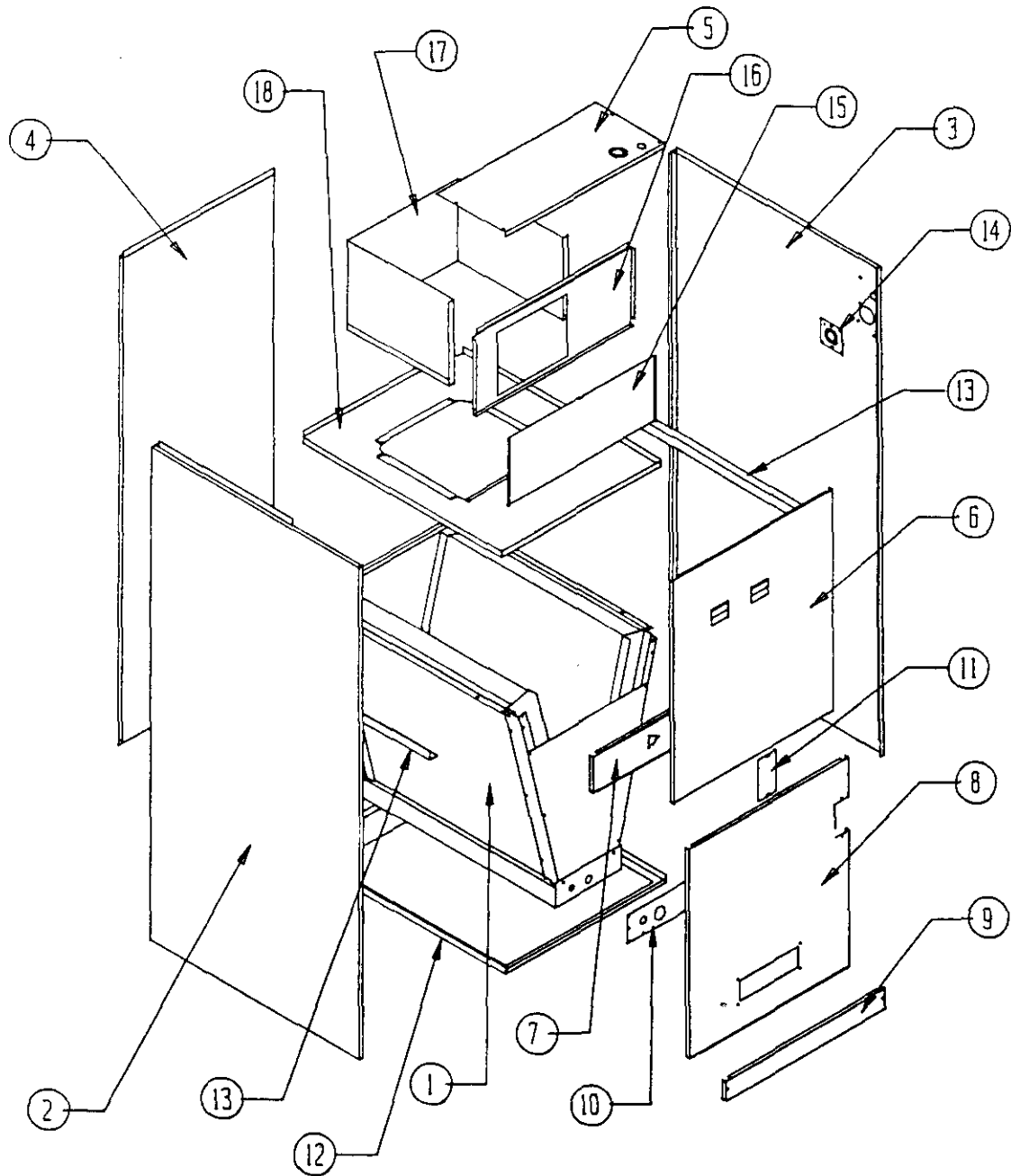
\*\*\*\*\*  
\*\*\* IMPORTANT \*\*\*  
\*\*\*\*\*

Contact the installing and/or local Bard distributor for all parts requirements. Make sure you have the complete model and serial number available from the unit rating plate.

BARD MANUFACTURING COMPANY

BRYAN, OHIO 43506

CABINET COMPONENTS



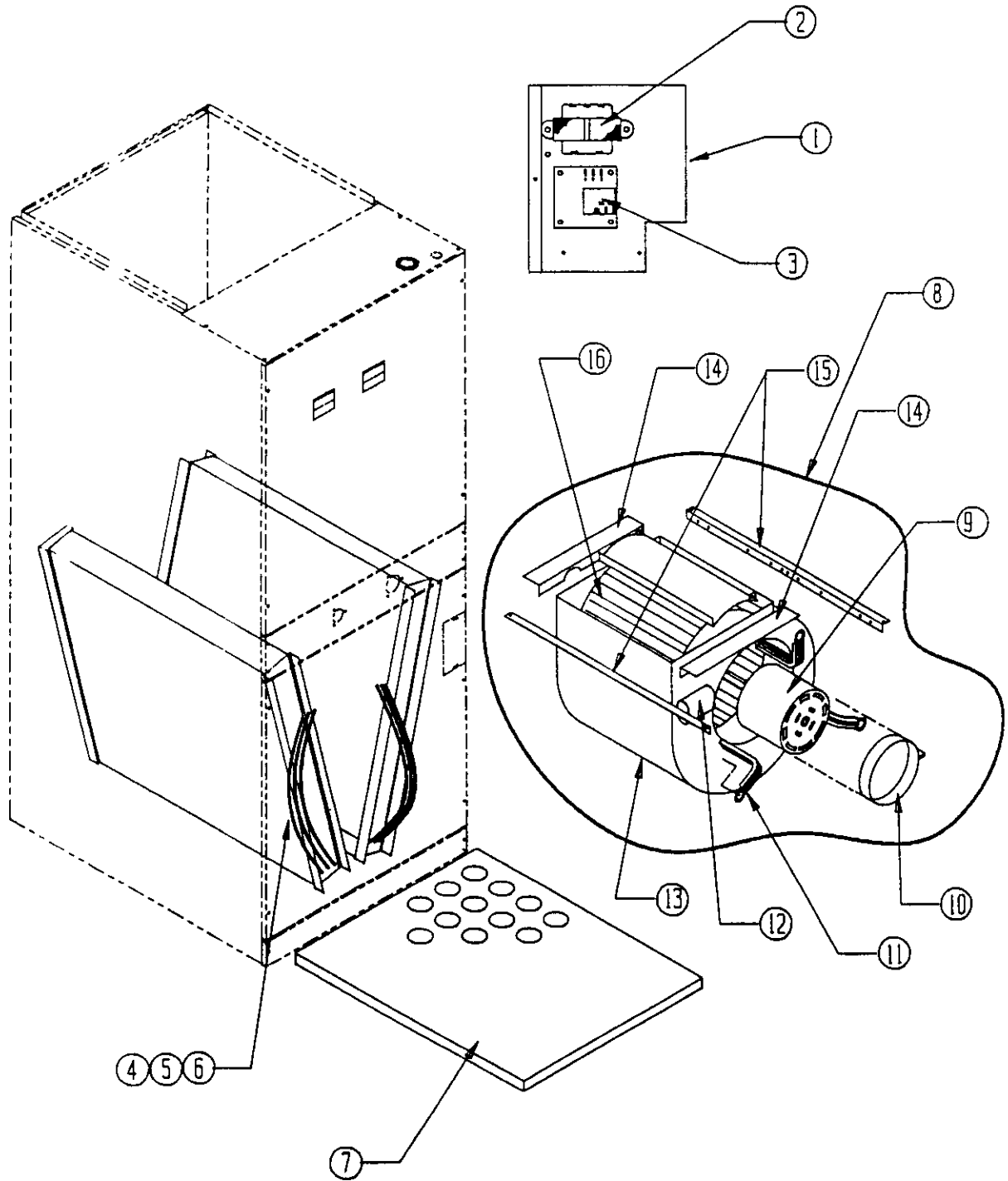
Date: 05-01-91  
Supersedes:

CABINET COMPONENTS

Dwg. No.	Part No.	Description	B	B	B
			C	C	C
			4	6	6
			8	0	0
			B	B	B
					X
1	600-0033	Complete Coil Assembly	X		
1	600-0029	Complete Coil Assembly		X	
1	600-0033	Complete Coil Assembly			X
2	500-203	Left Side Assembly	X	X	X
3	500-202	Right Side Assembly	X	X	X
4	508-086	Back Assembly	X	X	X
5	507-123	Top Assembly	X	X	X
6	552-177	Upper Door	X	X	X
7	540-176	Quick Connect Support	X	X	
7	540-201	Quick Connect Support			X
8	552-178	Lower Door	X	X	X
9	552-179	Filter Door	X	X	X
10	536-151	Drain Cover Plate	X	X	X
11	542-030	Cover Plate	X	X	X
12	127-171	Lower Base	X	X	X
13	140-155	Coil Assembly Support	4	4	4
14	136-154	T.K.O. Plate	X	X	X
15	133-100	Control Panel Cover	X	X	X
16	120-142	Heater Partition	X	X	X
17	134-114	Heater Shield	X	X	X
18	126-172	Blower Base	X	X	X

Date: 04-26-93  
Supersedes: 05-01-91

FUNCTIONAL COMPONENTS



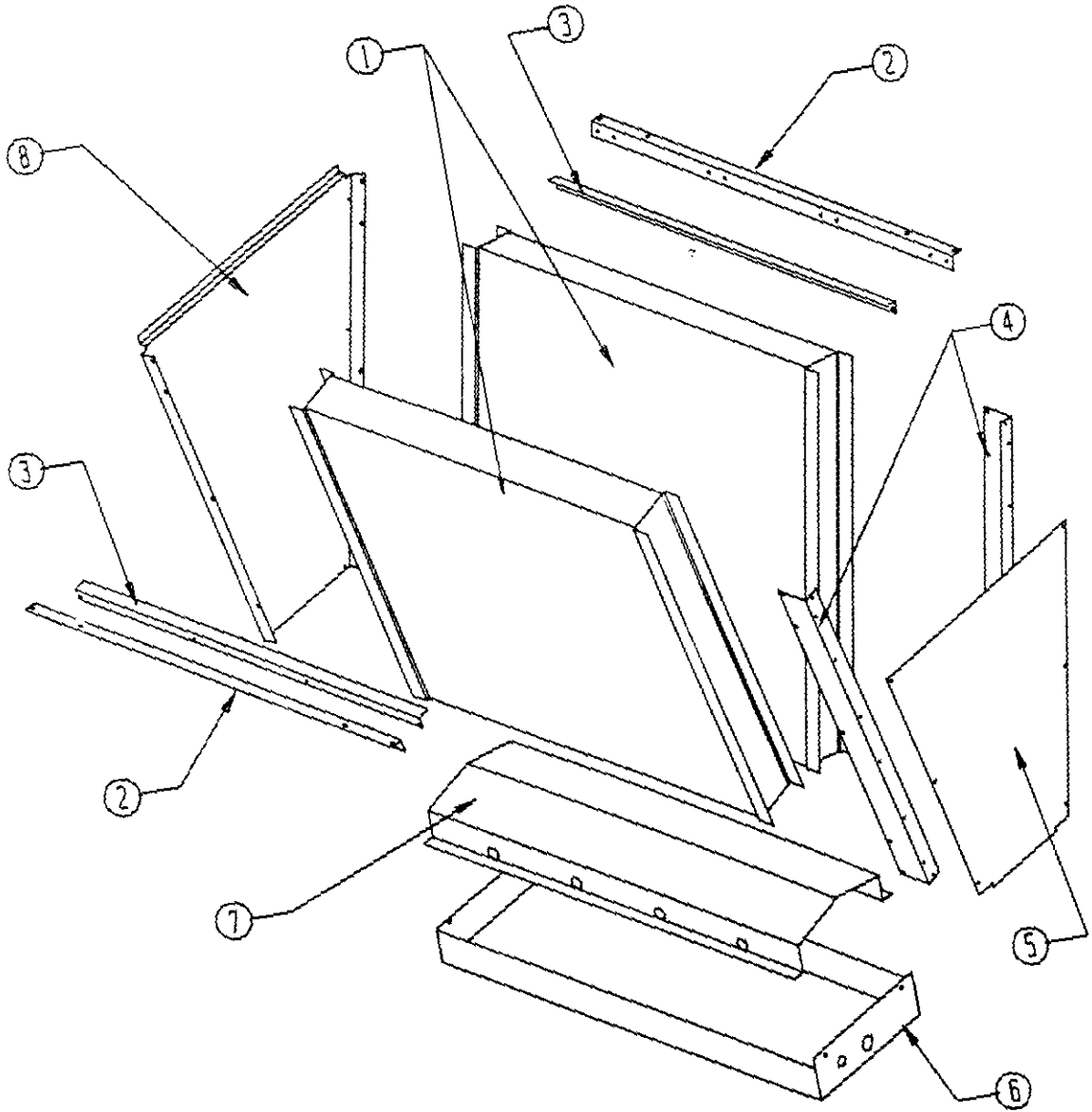
Date: 05-01-91  
Supersedes:

FUNCTIONAL COMPONENTS

Dwg. No.	Part No.	Description	B C 4 8 B	B C 6 0 B	B C 6 0 B X
1	116-118	Control Panel	X	X	X
2	8407-035	Transformer 55VA	X	X	X
3	8201-056	Blower Control	X	X	X
4	5625-002	5782 Coupling to R.H. Thread Adapter	X	X	
5	5625-078	.078 Orifice	X		
5	5625-092	.092 Orifice		X	
5	5651-105	Expansion Valve			X
6	5625-005	Distributor	X		
6	5625-006	Distributor		X	
6	5625-017	Distributor			X
7	7004-013	Filter 20 x 25 x 1	X	X	X
8	900-159	Blower Assembly	X		
8	900-160	Blower Assembly		X	X
9	8106-027	Motor 1/2 HP 230V	X	X	X
10	8200-033	Motor Mount Band	X	X	X
11	8200-034	Motor Mount Arm	3	3	3
12	8552-004	Capacitor 7-1/2 / 370	X	X	X
13	151-068	Blower Housing	X		
13	151-096	Blower Housing		X	X
14	104-779	Blower Angle	2		
15	104-829	Blower Angle	2	2	2
16	5152-066	Blower Wheel 10 x 8	X		
16	5152-059	Blower Wheel 10 x 10		X	X
	4088-110	Wiring Diagram	X	X	X

Date: 04-26-93  
Supersedes: 05-01-91

COIL ASSEMBLY COMPONENTS



COIL ASSEMBLY COMPONENTS

Dwg. No.	Part No.	Description	B	B	B
			C	C	C
			4	6	6
			8	0	0
			B	B	B
					X
1	5060-058	Evaporator Coil 24 x 24	2		
1	5060-059	Evaporator Coil 24 x 24		2	2
2	104-828	Coil Support Angle	2	2	2
3	104-096	Top Coil Fill	2	2	2
4	136-146	Coil End Fill	2	2	2
5	142-031	Coil Cover Panel	X	X	X
6	123-073	Drain Pan	X	X	X
7	140-177	Coil Riser	X	X	X
8	136-147	Rear Coil Fill	X	X	X

Date: 04-26-93  
Supersedes: 08-30-91

