

Replacement Parts Manual

Blower Coil Unit

**Models:
BC48C, BC60C, BC60CX**

General Notes

- Revised and/or additional pages may be issued from time to time.
- A complete and current manual consists of pages shown in the following contents section.

Important

- Contact the installing and/or local Bard distributor for all parts requirements. Make sure you have the complete model and serial number available from the unit rating plates.

Contents

Description	Page
Cabinet Components	
◆ Exploded View	1
◆ Usage List	2
Functional Components	
◆ Exploded View	3
◆ Usage List	4
Coil Assembly Components	
◆ Exploded View	5
◆ Usage List	6

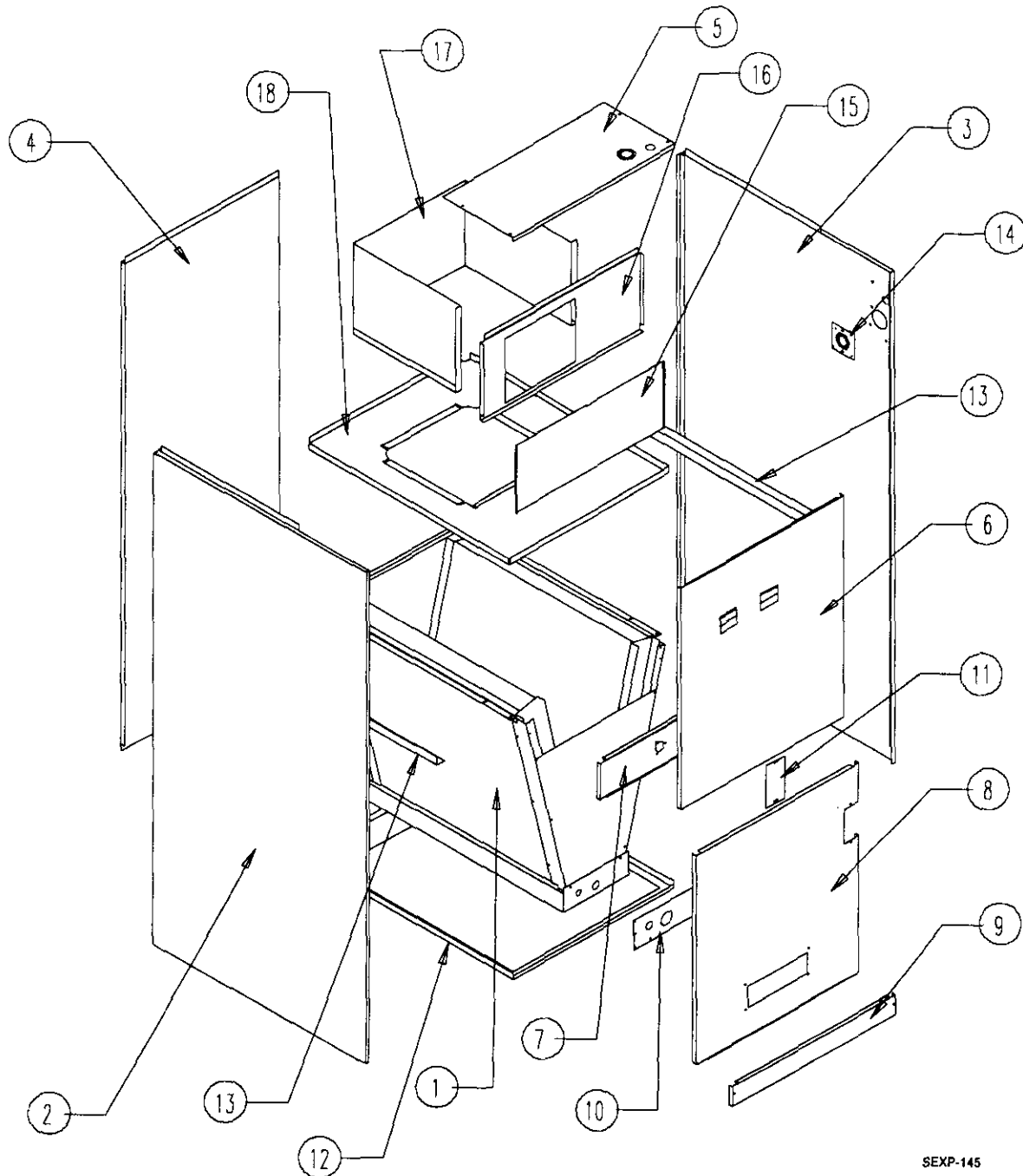


BARD MANUFACTURING COMPANY
Bryan, Ohio 43506

Since 1914...Moving ahead, just as planned.

Manual: 2110-106 Rev.C
Supersedes: Rev. B
Date: 11-01-96

CABINET COMPONENTS



SEXP-145

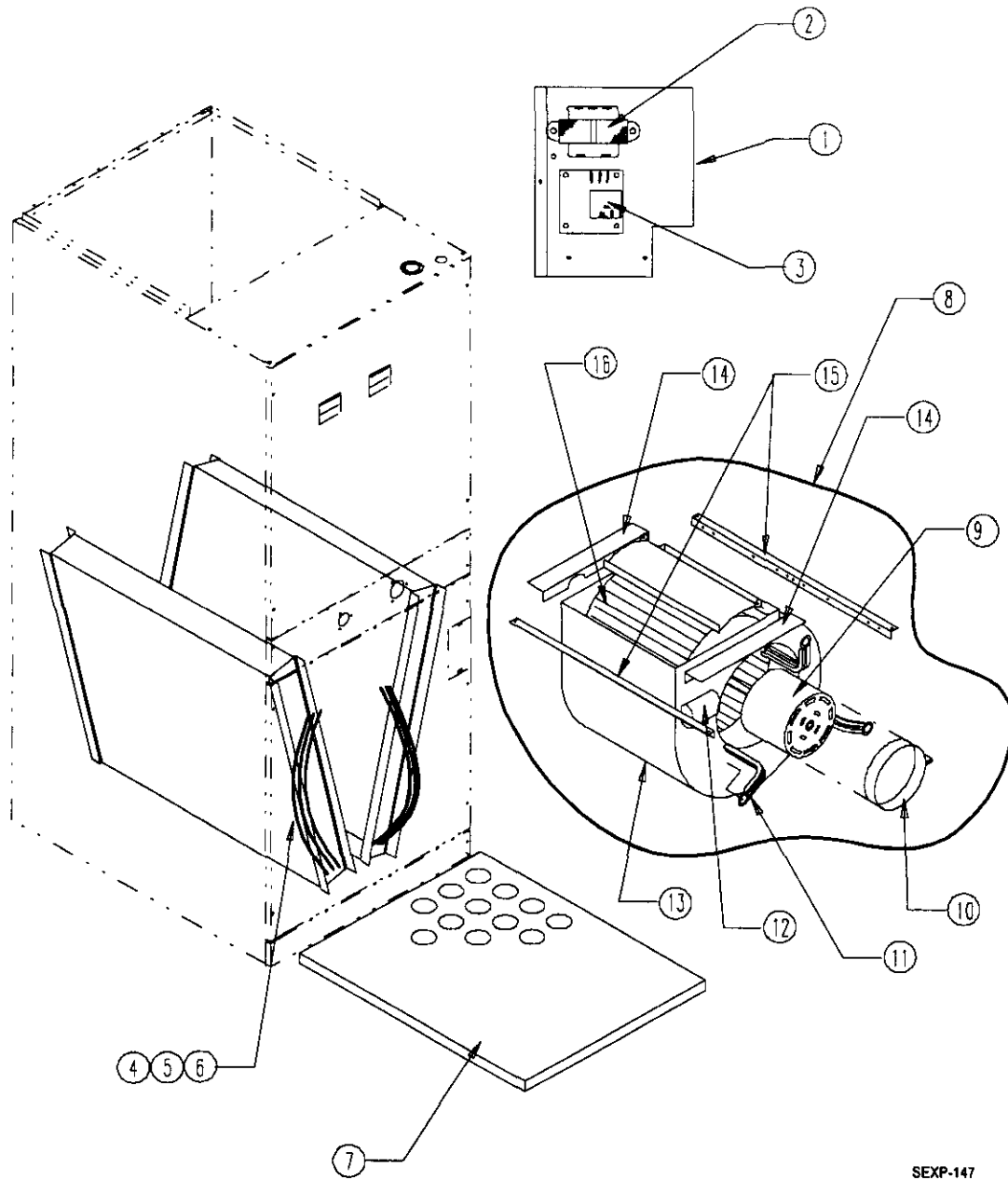
CABINET COMPONENTS

Drawing No.	Part No.	Description	BC48C	BC60C	BC60CX
1	600-0028	Complete Coil Assembly	X		
1	600-0029	Complete Coil Assembly		X	
1	600-0033	Complete Coil Assembly			X
2	500-203	Left Side Assembly	X	X	X
3	500-202	Right Side Assembly	X	X	X
4	508-086	Back Assembly	X	X	X
5	507-123	Top Assembly	X	X	X
6	552-177	Upper Door	X	X	X
7	540-176	Quick Connect Support (See Note A)	X	X	
7	540-201	Quick Connect Support (See Note A)			X
7	540-241	Tubing Entrance Panel (See Note B)	X	X	
7	540-242	Tubing Entrance Panel (See Note B)			X
8	552-178	Lower Door	X	X	X
9	552-179	Filter Door	X	X	X
10	536-151	Drain Cover Plate	X	X	X
11	542-030	Cover Plate	X	X	X
12	127-171	Lower Base	X	X	X
13	140-155	Coil Assembly Support	X	X	X
14	136-154	T.K.O. Plate	X	X	X
15	133-100	Control Panel Cover	X	X	X
16	120-142	Heater Partition	X	X	X
17	134-114	Heater Shield	X	X	X
18	126-172	Blower Base	X	X	X

Note A: For units produced before date code N96

Note B: For units produced with date code N96 and after.

FUNCTIONAL COMPENENTS

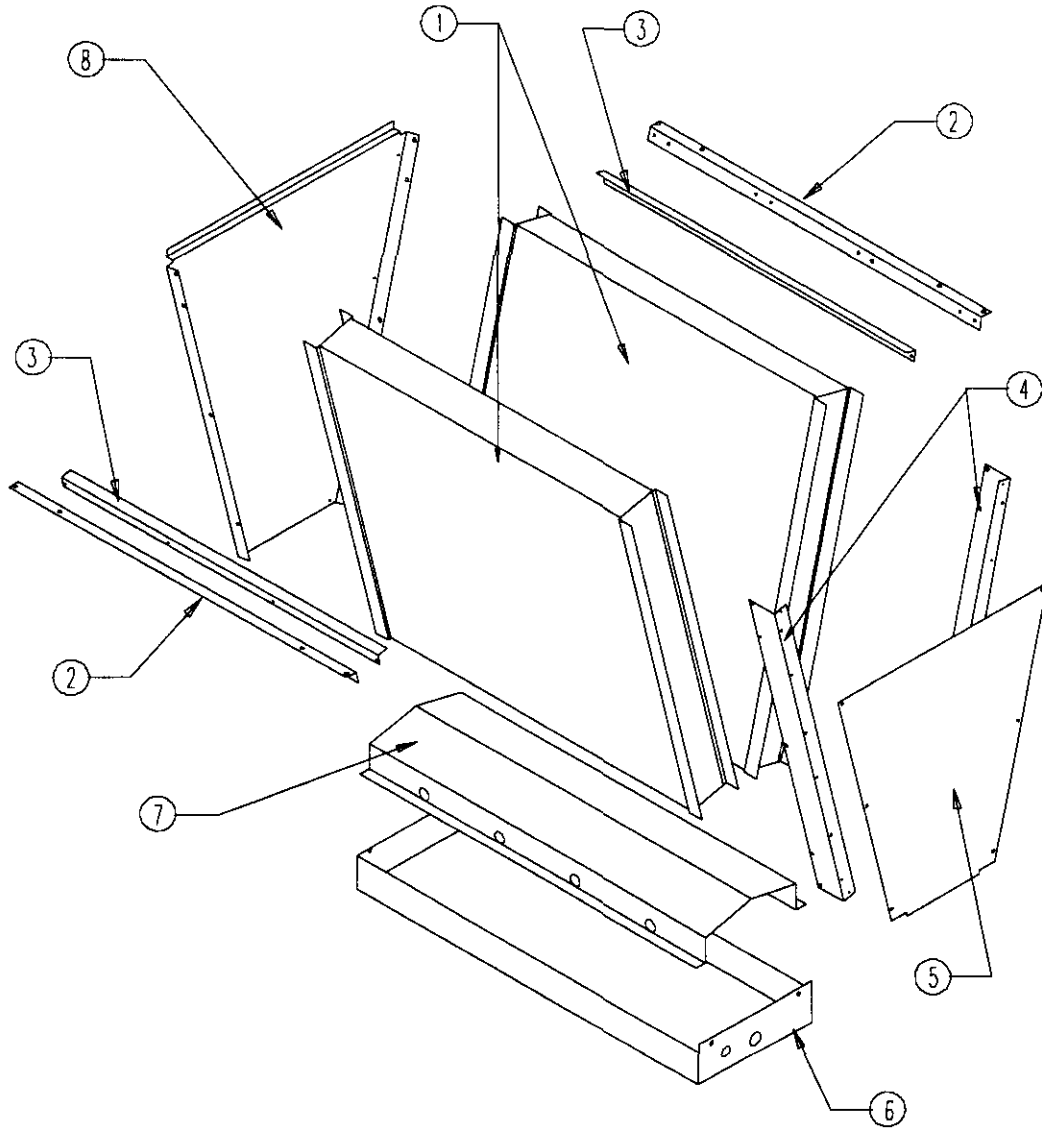


SEXP-147

FUNCTIONAL COMPONENTS

Drawing No.	Part No.	Description	BC48C	BC60C	BC60CX
1	116-118	Control Panel	X	X	X
2	8407-035	Transformer 55VA	X	X	X
3	8201-056	Blower Control	X	X	X
4	5625-021	5782 Coupling to R.H. Thread Adapter Swivel	X	X	X
5	5625-078	.078 Orifice	X		
5	5625-092	.092 Orifice		X	
5	5651-105	Expansion Valve			X
6	5625-005	Distributor	X		
6	5625-006	Distributor		X	
6	5625-017	Distributor			X
7	7004-013	Filter 20 x 25 x 1	X	X	X
8	900-159	Blower Assembly	X		
8	900-160	Blower Assembly		X	X
9	8106-027	Motor 1/2 HP 230V	X	X	X
10	8200-033	Motor Mount Band	X	X	X
11	8200-034	Motor Mount Arm	X	X	X
12	8552-004	Capacitor 7-1/2 / 370	X	X	X
13	151-068	Blower Housing	X		
13	151-096	Blower Housing		X	X
14	104-779	Blower Angle	2		
15	104-829	Blower Angle	2	2	2
16	5152-066	Blower Wheel 10 x 8	X		
16	5152-059	Blower Wheel 10 x 10		X	X
	4088-110	Wiring Diagram	X	X	X

COIL ASSEMBLY COMPONENTS



COIL ASSEMBLY COMPONENTS

Drawing No.	Part No.	Description	BC48C	BC60C	BC60CX
1	5060-058	Evaporator Coil 24 x 24	2		
1	5060-059	Evaporator Coil 24 x 24		2	2
2	104-828	Coil Support Angle	2	2	2
3	104-096	Top Coil Fill	2	2	2
4	136-146	Coil End Fill	2	2	2
5	142-031	Coil Cover Panel	X	X	X
6	123-073	Drain Pan	X	X	X
7	140-177	Coil Riser	X	X	X
8	136-147	Rear Coil Fill	X	X	X

