

# REPLACEMENT PARTS MANUAL

## BLOWER COIL UNIT

MODEL: NBC24B

Manual 2110-107

Revision A

Date 04-01-93

Supersedes 03-11-92

\*\*\*\*\*  
\* GENERAL NOTES \*  
\*\*\*\*\*

\*Revised and/or additional pages may be issued from time to time.  
\*A complete and current manual consists of pages dated as shown in the following index.

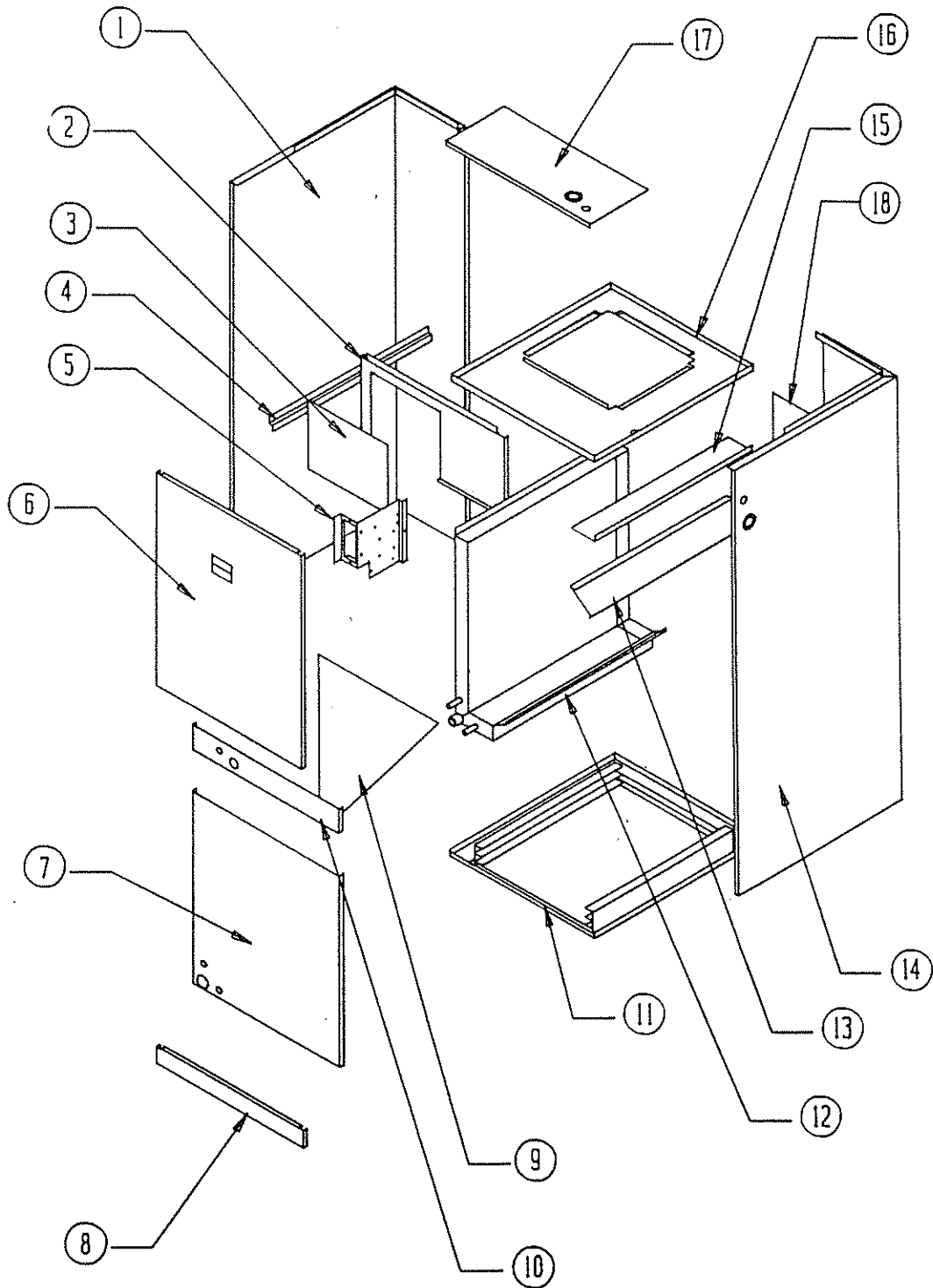
\*\*\*\*\*  
\*\* INDEX \*\*  
\*\*\*\*\*

| <u>Page Description</u>              | <u>Page</u> | <u>Date</u> | <u>Supersedes</u> |
|--------------------------------------|-------------|-------------|-------------------|
| Cabinet Components--Exploded View    | 1           | 03-11-92    |                   |
| " " --Usage List                     | 2           | 04-01-93    | 03-11-92          |
| Functional Components--Exploded View | 3           | 03-11-92    |                   |
| " " --Usage List                     | 4           | 03-11-92    |                   |

\*\*\*\*\*  
\*\*\* IMPORTANT \*\*\*  
\*\*\*\*\*

Contact the installing and/or local distributor for all parts requirements. Make sure you have the complete model and serial number available from the unit rating plate.

CABINET COMPONENTS



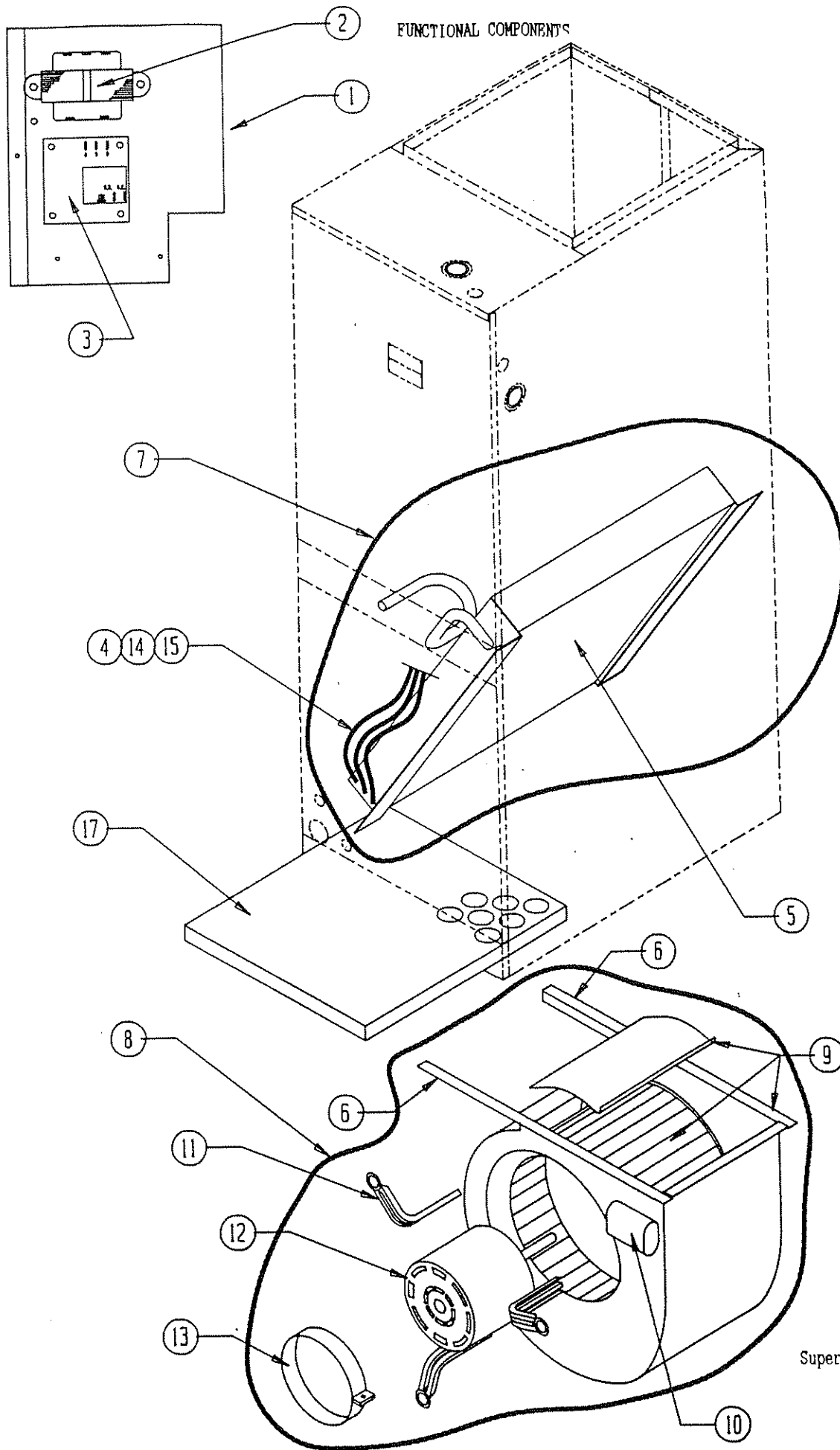
Date: 03-11-92  
Supersedes:

CABINET COMPONENTS

| Dwg. No. | Part No. | Description                        | NBC24B |
|----------|----------|------------------------------------|--------|
| 1        | 500-214  | Left Side (See Note)               | X      |
| 2        | 120-140  | Partition                          | X      |
| 3        | 136-144  | Block Off Plate                    | X      |
| 4        | 102-392  | Coil Assembly Support (Left Side)  | X      |
| 5        | 116-118  | Control Panel Assembly             | X      |
| 6        | 552-162  | Upper Door                         | X      |
| 7        | 552-190  | Lower Door (See Note)              | X      |
| 8        | 552-164  | Filter Door                        | X      |
| 9        | 136Y143  | Coil Support                       | X      |
| 10       | 540-173  | Quick Connect Support (See Note)   | X      |
| 11       | 127-157  | Lower Base Assembly                | X      |
| 12       | 123-072  | Water Pan Assembly                 | X      |
| 13       | 136-140  | Top Coil Fill                      | X      |
| 14       | 500-213  | Right Side (See Note)              | X      |
| 15       | 140-147  | Coil Assembly Support (Right Side) | X      |
| 16       | 126-158  | Blower Base                        | X      |
| 17       | 506-118  | Top Assembly                       | X      |
| 18       | 136X143  | Coil Support                       | X      |

Date: 04-01-93  
 Supersedes: 03-11-92

FUNCTIONAL COMPONENTS



Date: 03-11-92  
Supersedes:

2110-107  
Page: 3

FUNCTIONAL COMPONENTS

| Dwg. No. | Part No. | Description                          | NBC24B |
|----------|----------|--------------------------------------|--------|
| 1        | 8607-019 | Terminal Strip                       | X      |
| 2        | 8407-034 | Transformer 40VA                     | X      |
| 3        | 8201-056 | Solid State Blower Control           | X      |
| 4        | 5625-009 | Distributor                          | X      |
| 5        | 5060-057 | Evaporator Coil                      | X      |
| 6        | 104-816  | Blower Angle                         | 2      |
| 7        | 600-0031 | Complete Coil Assembly W/Drain Pan   | X      |
| 8        | 900-149  | Complete Blower Assembly             | X      |
| 9        | 5152-064 | Blower Housing Assembly 10 x 6       | X      |
| 10       | 8552-002 | Capacitor 5/370V                     | X      |
| 11       | 8200-034 | Motor Mount Arm                      | 3      |
| 12       | 8104-008 | Motor 1/4 HP 230V                    | X      |
| 13       | 8200-033 | Motor Mount Band                     | X      |
| 14       | 5625-059 | .059 Orifice                         | X      |
| 15       | 5625-002 | 5782 Coupling to R.H. Thread Adapter | X      |
| 17       | 7004-003 | Filter 12 x 20 x 1                   | X      |
|          | 4088-111 | Wiring Diagram                       | X      |

Date: 03-11-92  
Supersedes:

2110-107  
Page: 4