

REPLACEMENT PARTS MANUAL

BLOWER COIL UNIT

MODEL: NBC24B

Manual 2110-107 Revision Date 03-11-92 Supersedes

* GENERAL NOTES *

*Revised and/or additional pages may be issued from time to time.
*A complete and current manual consists of pages dated as shown in the following index.

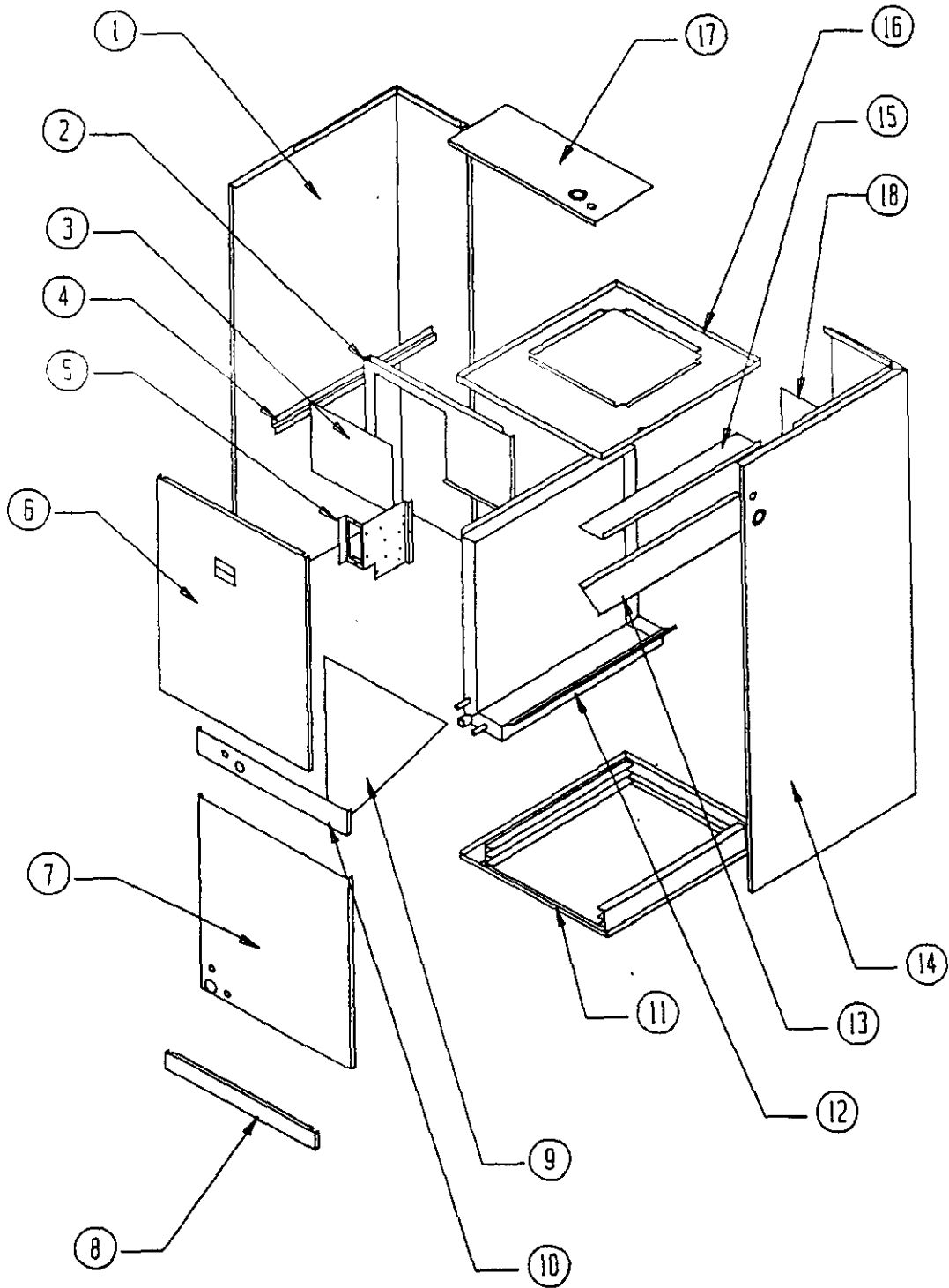
** INDEX **

<u>Page Description</u>	<u>Page</u>	<u>Date</u>	<u>Supersedes</u>
Cabinet Components--Exploded View	1	03-11-92	
" " --Usage List	2	03-11-92	
Functional Components--Exploded View	3	03-11-92	
" " --Usage List	4	03-11-92	

*** IMPORTANT ***

Contact the installing and/or local distributor for all parts requirements. Make sure you have the complete model and serial number available from the unit rating plate.

CABINET COMPONENTS



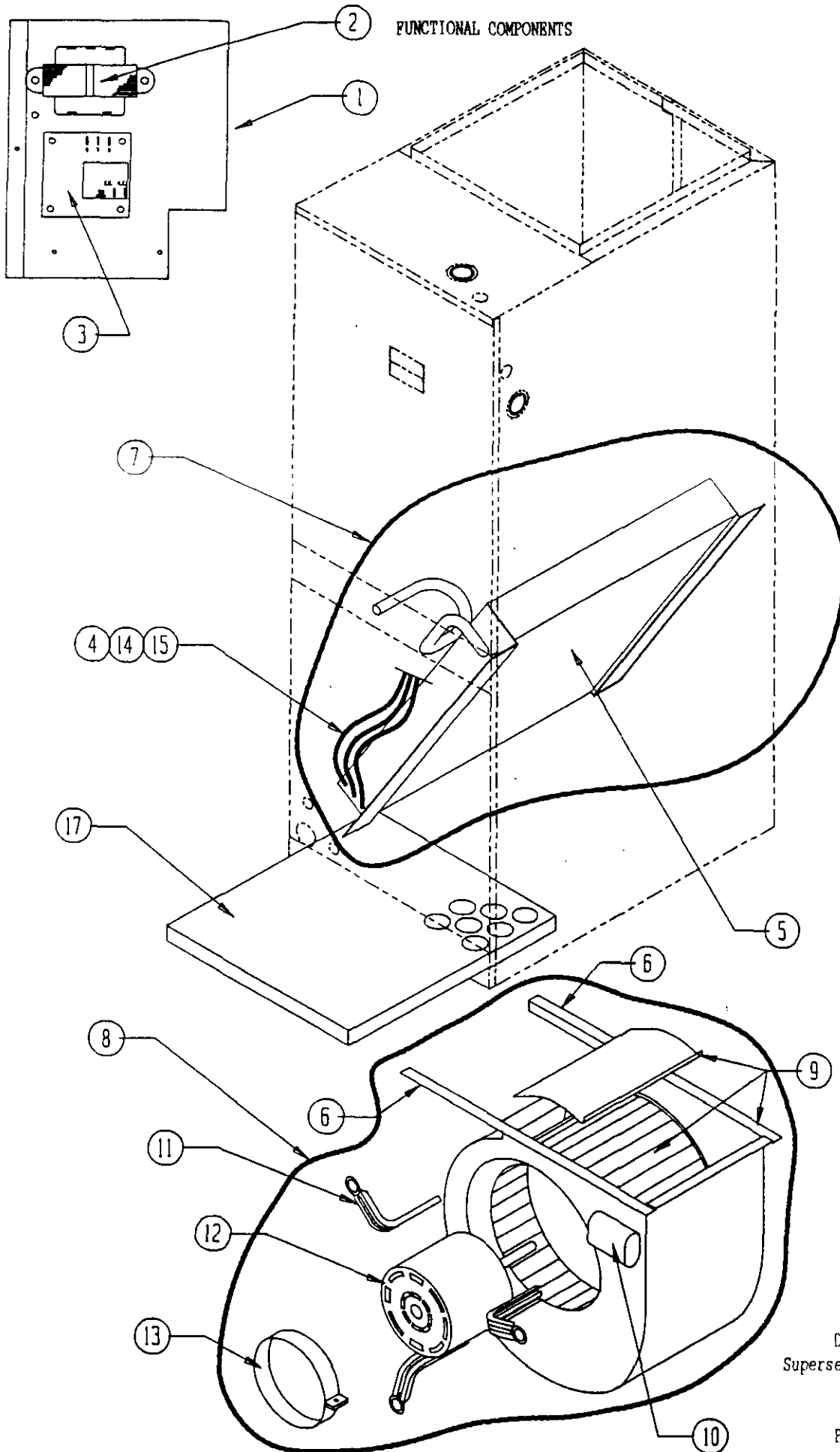
Date: 03-11-92
Supersedes:

2110-107
Page: 1

CABINET COMPONENTS

Dwg. No.	Part No.	Description	NBC24B
1	500-214	Left Side (See Note)	X
2	120-140	Partition	X
3	136-144	Block Off Plate	X
4	102-392	Coil Assembly Support (Left Side)	X
5	116-118	Control Panel Assembly	X
6	552-162	Upper Door	X
7	552-190	Lower Door (See Note)	X
8	552-164	Filter Door	X
9	136Y143	Coil Support	X
10	540-173	Quick Connect Support (See Note)	X
11	127-157	Lower Base Assembly	X
12	123-072	Water Pan Assembly	X
13	136-140	Top Coil Fill	X
14	500-213	Right Side (See Note)	X
15	140-147	Coil Assembly Support (Right Side)	X
16	126-158	Blower Base	X
17	106-118	Top Assembly	X
18	136X143	Coil Support	X

Date: 03-11-92
Supersedes:



Date: 03-11-92
 Supersedes:

2110-107
 Page: 3

FUNCTIONAL COMPONENTS

Dwg. No.	Part No.	Description	NBC24B
1	8607-019	Terminal Strip	X
2	8407-034	Transformer 40VA	X
3	8201-056	Solid State Blower Control	X
4	5625-009	Distributor	X
5	5060-057	Evaporator Coil	X
6	104-816	Blower Angle	2
7	600-0031	Complete Coil Assembly W/Drain Pan	X
8	900-149	Complete Blower Assembly	X
9	5152-064	Blower Housing Assembly 10 x 6	X
10	8552-002	Capacitor 5/370V	X
11	8200-034	Motor Mount Arm	3
12	8104-008	Motor 1/4 HP 230V	X
13	8200-033	Motor Mount Band	X
14	5625-059	.059 Orifice	X
15	5625-002	5782 Coupling to R.H. Thread Adapter	X
17	7004-003	Filter 12 x 20 x 1	X
	4088-111	Wiring Diagram	X

Date: 03-11-92
 Supersedes:

