

REPLACEMENT PARTS MANUAL

BLOWER COIL UNIT

MODEL: NBC35B, NBC36B

Manual 2110-108

Revision

Date 3-11-92

Supersedes

* GENERAL NOTES *

*Revised and/or additional pages may be issued from time to time.
*A complete and current manual consists of pages dated as shown in the following index.

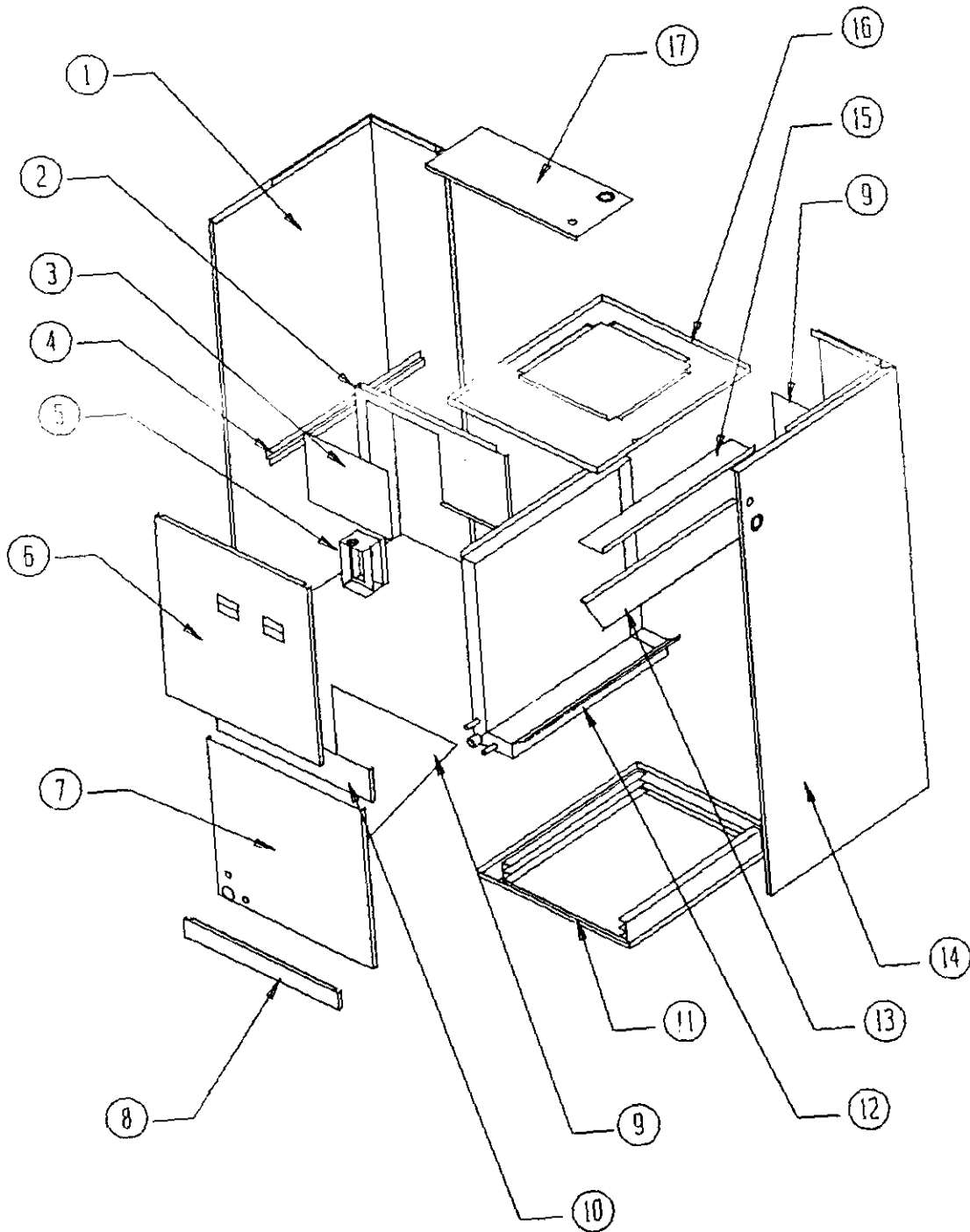
** INDEX **

<u>Page Description</u>	<u>Page</u>	<u>Date</u>	<u>Supersedes</u>
Cabinet Components--Exploded View	1	3-11-92	9-01-90
" " --Usage List	2	3-11-92	9-01-90
Functional Components--Exploded View	3	3-11-92	8-30-91
" " --Usage List	4	3-11-92	8-30-91

*** IMPORTANT ***

Contact the installing and/or local distributor for all parts requirements. Make sure you have the complete model and serial number available from the unit rating plate.

CABINET COMPONENTS



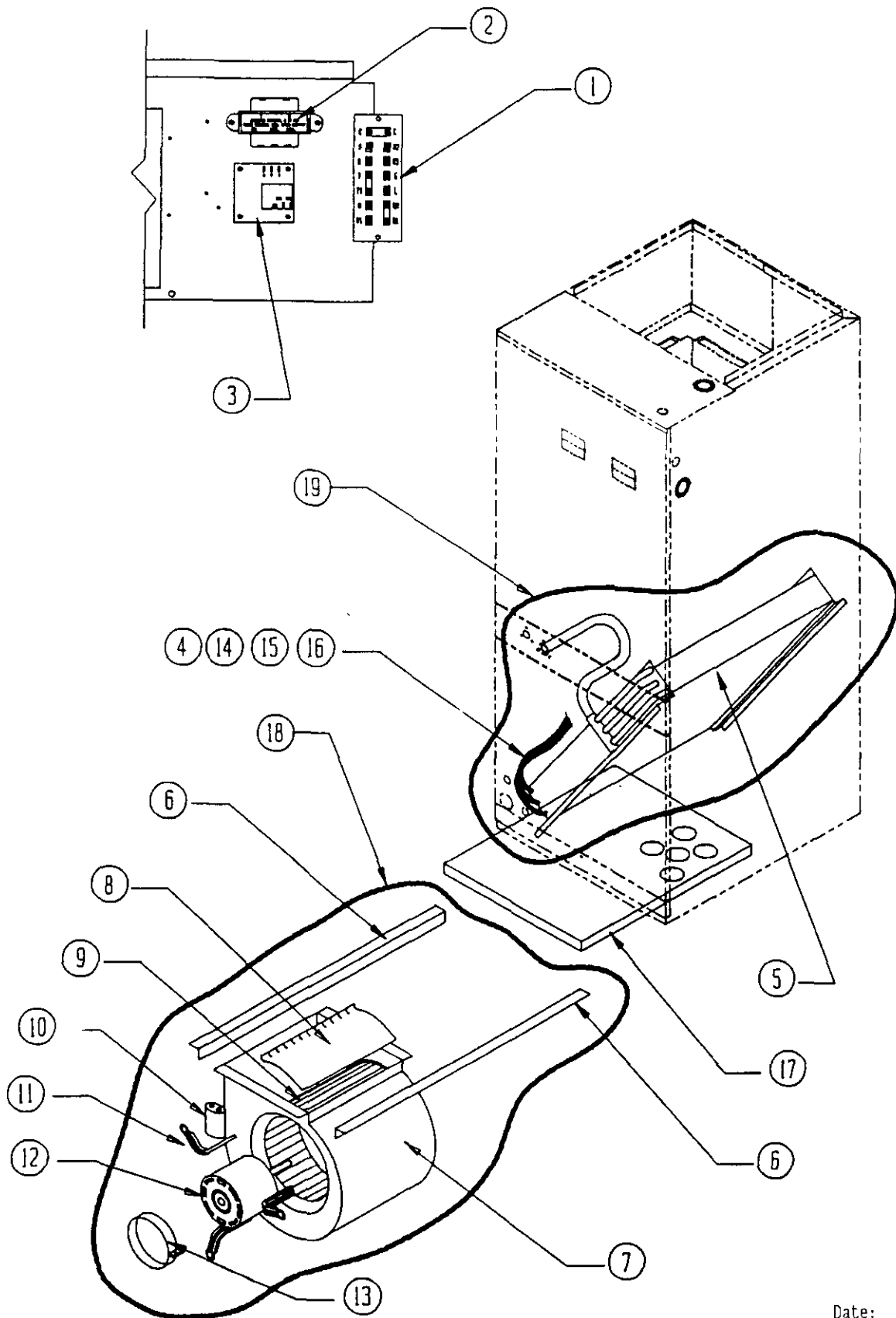
Date: 3-11-92
Supersedes: 9-01-90

CABINET COMPONENTS

Dwg. No.	Part No.	Description	NBC35B	NBC36B
1	500-216	Left Side	X	X
2	120-139	Partition	X	X
3	136-141	Block Off Plate	X	X
4	102-392	Coil Assembly Support (Left Side)	X	X
5	117-116	Low Voltage Box Assembly	X	X
6	552-159	Upper Door	X	X
7	552-191	Lower Door	X	X
8	552-161	Filter Door	X	X
9	136-139	Coil Support	X	X
10	540-167	Quick Connect Support	X	X
11	127-154	Lower Base Assembly	X	X
12	123-071	Water Pan Assembly	X	X
13	136-140	Top Coil Fill	X	X
14	500-215	Right Side	X	X
15	140-147	Coil Assembly Support (Right Side)	X	X
16	126-155	Blower Base	X	X
17	107-117	Top Assembly	X	X

Date: 3-11-92
 Supersedes: 9-01-90

FUNCTIONAL COMPONENTS



Date: 3-11-92
Supersedes: 8-30-91

FUNCTIONAL COMPONENTS

Dwg. No.	Part No.	Description	NBC35B	NBC36B
1	8607-019	Terminal Strip	X	X
2	8407-035	Transformer 55VA	X	X
3	8201-056	Solid State Blower Control	X	X
4	5811-010	Capillary Tube	3	
4	5625-009	Distributor		X
5	5060-055	Evaporator Coil	X	
5	5060-054	Evaporator Coil		X
6	104-813	Blower Angle	2	2
7	151-087	Blower Housing Assembly	X	X
8	144-128	Blower Diffuser	X	X
9	5152-014	Blower Wheel 10 x 9	X	X
10	8552-025	Capacitor 7-1/2 / 440V	X	X
11	8200-034	Motor Mount Arm	3	3
12	8105-022	Motor 1/3 HP 230V	X	X
13	8200-033	Motor Mount Band		X
14	5625-072	.072 Orifice		X
15	5625-002	5782 Coupling to R.H. Thread Adapter		X
16	5651-036	Check Valve	X	
17	7004-010	Filter 16 x 20 x 1	X	X
18	900-147	Complete Blower Assembly	X	X
19	600-0023	Complete Coil Assembly W/Drain Pan	X	
19	600-0024	Complete Coil Assembly W/Drain Pan		X
	4088-111	Wiring Diagram	X	X

Date: 3-11-92
Supersedes: 8-30-91

