

# REPLACEMENT PARTS MANUAL

## BLOWER COIL UNIT

MODELS: NBC48B, NBC60B

Manual 2110-109

Revision: A

Date: 04-01-93

Supersedes: 03-11-92

\*\*\*\*\*  
\* GENERAL NOTES \*  
\*\*\*\*\*

\*Revised and/or additional pages may be issued from time to time.  
\*A complete and current manual consists of pages dated as shown in the following index.

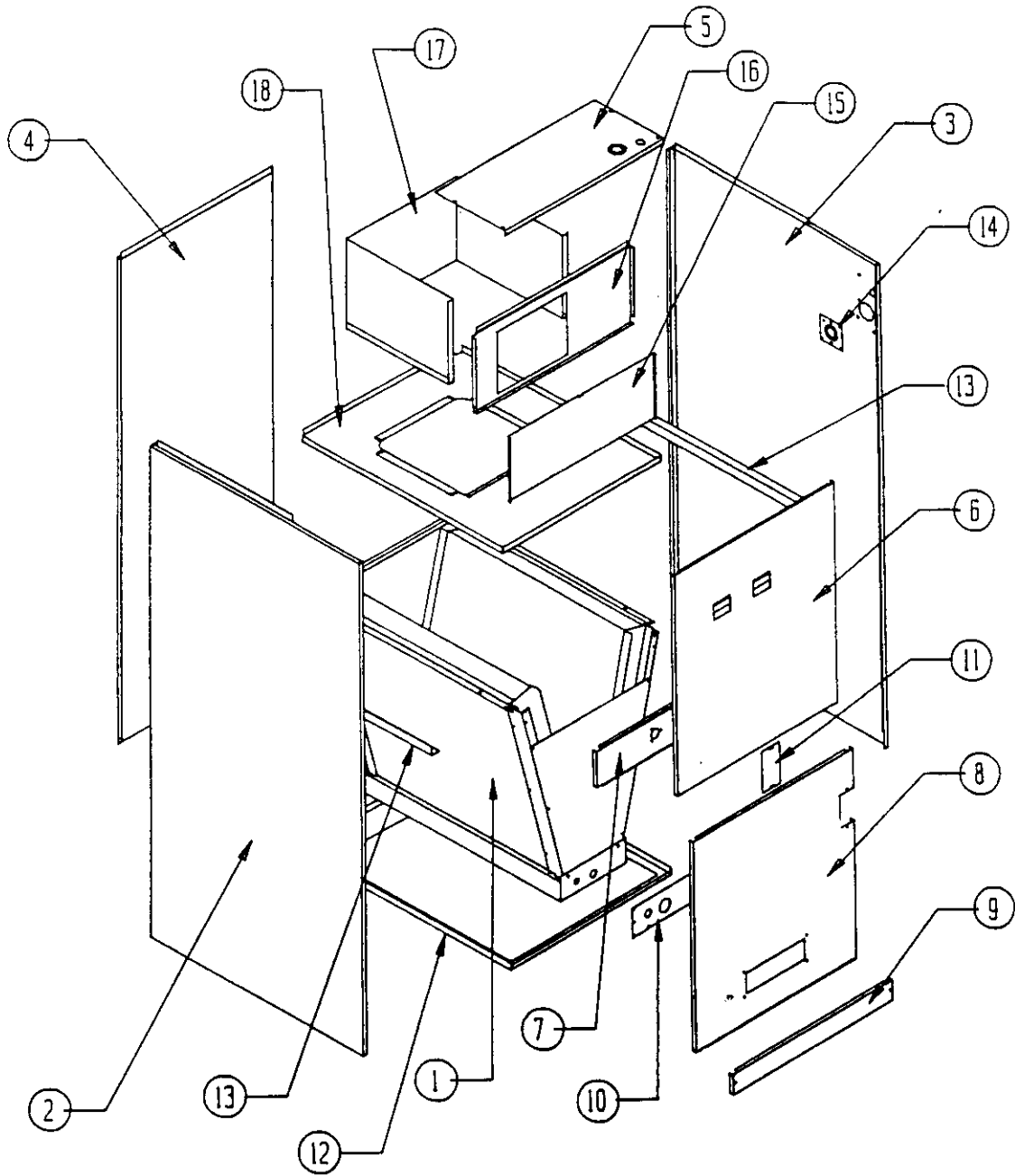
\*\*\*\*\*  
\*\* INDEX \*\*  
\*\*\*\*\*

<u>Page Description</u>	<u>Page</u>	<u>Date</u>	<u>Supersedes</u>
Cabinet Components--Exploded View	1	03-11-92	
" " --Usage List	2	04-01-93	03-11-92
Functional Components--Exploded View	3	03-11-92	
" " --Usage List	4	03-11-92	
Coil Assembly Components--Exploded View	5	03-11-92	
" " --Usage List	6	03-11-92	

\*\*\*\*\*  
\*\*\* IMPORTANT \*\*\*  
\*\*\*\*\*

Contact the installing and/or local distributor for all parts requirements. Make sure you have the complete model and serial number available from the unit rating plate.

CABINET COMPONENTS



Date: 03-11-92  
Supersedes: 05-01-91

CABINET COMPONENTS

Dwg. No.	Part No.	Description	N	N
			B	B
			C	C
			4	6
			8	0
			B	B
1	600-0028	Complete Coil Assembly	x	
1	600-0029	Complete Coil Assembly		x
2	500-203	Left Side Assembly	x	x
3	500-202	Right Side Assembly	x	x
4	508-086	Back Assembly	x	x
5	507-123	Top Assembly	x	x
6	552-177	Upper Door	x	x
7	540-176	Quick Connect Support	x	x
8	552-178	Lower Door	x	x
9	552-179	Filter Door	x	x
10	536-151	Drain Cover Plate	x	x
11	542-030	Cover Plate	x	x
12	127-171	Lower Base	x	x
13	140-155	Coil Assembly Support	4	4
14	136-154	T.K.O. Plate	x	x
15	133-100	Control Panel Cover	x	x
16	120-142	Heater Partition	x	x
17	134-114	Heater Shield	x	x
18	126-172	Blower Base	x	x

Date: 04-01-93  
 Supersedes: 03-11-92

