

---

# REPLACEMENT PARTS MANUAL

# WALL MOUNTED GAS/ELECTRIC MOTORIZED FRESH AIR DAMPER

Models: **WGMFAD-3**  
**WGMFAD-5**

---

## General Notes

- Revised and/or additional pages may be issued from time to time.
- A complete and current manual consists of pages shown in the following contents section.

## Contents

Description	Page
Components	
♦ Exploded View .....	1
♦ Usage List .....	1

## Important

- Contact the installing and/or local Bard distributor for all parts requirements. Make sure you have the complete model and serial number available from the unit rating plates.

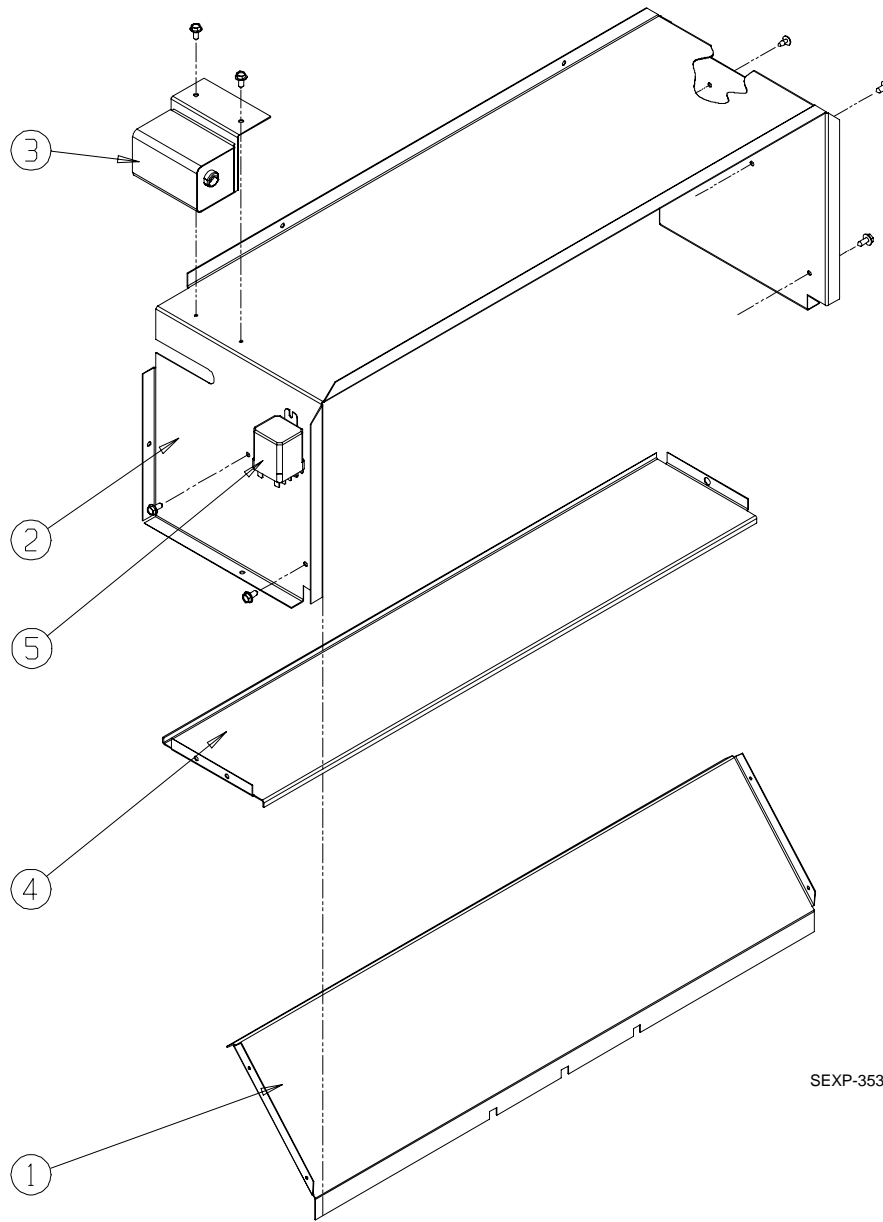


BARD MANUFACTURING COMPANY  
Bryan, Ohio 43506  
*Since 1914...Moving ahead, just as planned.*

Manual: 2110-1100A  
Supersedes: 2110-1100  
File: Tab 19  
Date: 01-16-02

---

# COMPONENTS



SEXP-353

Drawing No.	Part No.	Description	WGMFAD-3	WGMFAD-5
1	S139-159	Partition Assembly	X	
1	S139-137	Partition Assembly		X
2	S139-160	Wrapper Assembly	X	
2	S139-136	Wrapper Assembly		X
3	8110-001	Damper Motor	X	X
4	139-161	Blade	X	
4	139-140	Blade		X
5	8201-048	Relay	X	X