
REPLACEMENT PARTS MANUAL

WALL MOUNTED GAS/ELECTRIC MOTORIZED FRESH AIR DAMPER

Models: **WGMFAD-3A**
WGMFAD-5A

General Notes

- Revised and/or additional pages may be issued from time to time.
- A complete and current manual consists of pages shown in the following contents section.

Contents

Description	Page
Components	
♦ Exploded View	2
♦ Usage List	2

Important

- Contact the installing and/or local Bard distributor for all parts requirements. Make sure you have the complete model and serial number available from the unit rating plates.

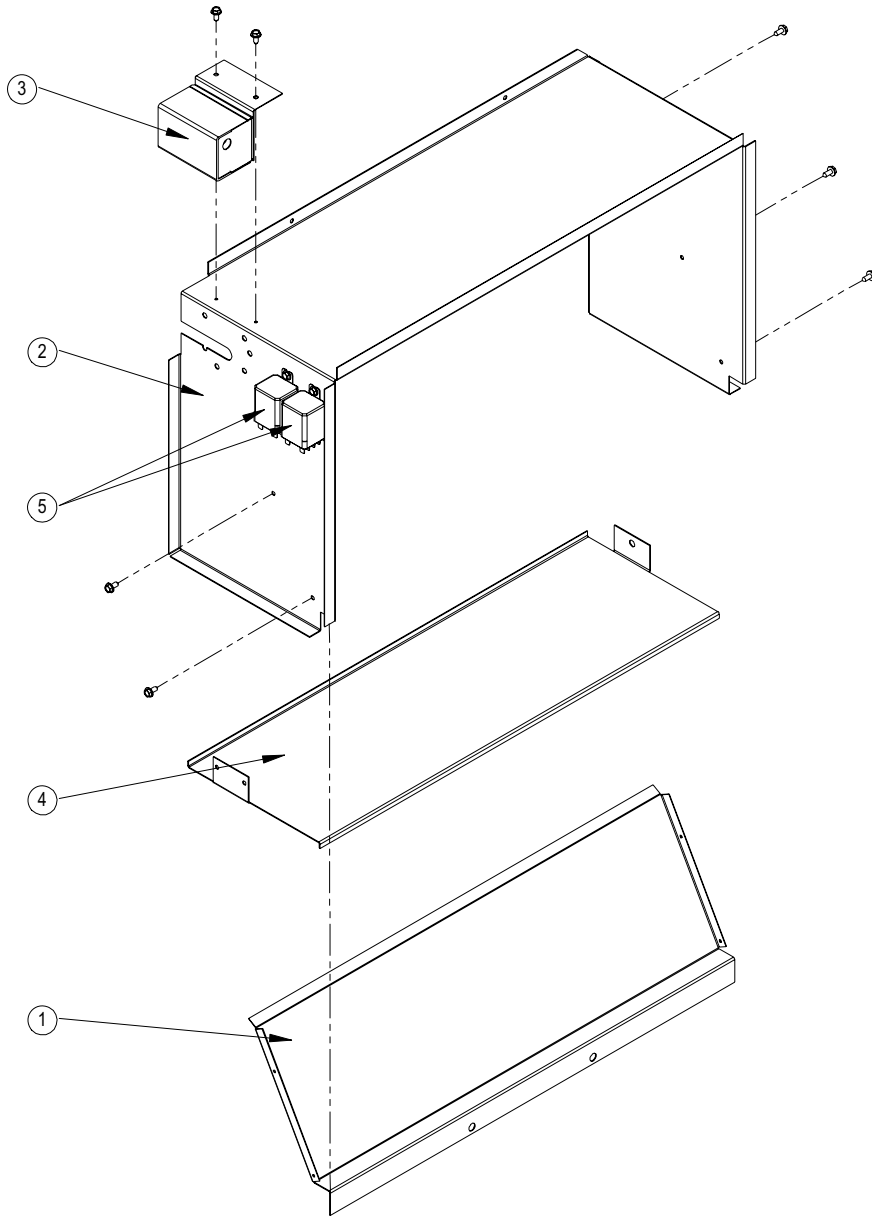


Climate Control Solutions

Bard Manufacturing Company, Inc.
Bryan, Ohio 43506
Since 1914...Moving ahead, just as planned.

Manual: 2110-1100B
Supersedes: 2110-1100A
File: Tab 19
Date: 02-24-10

COMPONENTS



SEXP-565

Drawing No.	Part No.	Description	WGMFAD-3A	WGMFAD-5A
1	S139-159	Partition Assembly	X	
1	S139-137	Partition Assembly		X
2	S139-221	Wrapper Assembly	X	
2	S139-136	Wrapper Assembly		X
3	8110-001	Damper Motor	X	X
4	139-161	Blade	X	
4	139-140	Blade		X
5	8201-048	Relay	2	2