

---

# REPLACEMENT PARTS MANUAL

# WALL MOUNTED GAS/ELECTRIC MOTORIZED FRESH AIR DAMPER

Model: WGMFAD-5

---

## General Notes

- Revised and/or additional pages may be issued from time to time.
- A complete and current manual consists of pages shown in the following contents section.

## Contents

Description	Page
Components	
♦ Exploded View .....	1
• Usage List .....	1

## Important

- Contact the installing and/or local Bard distributor for all parts requirements. Make sure you have the complete model and serial number available from the unit rating plates.



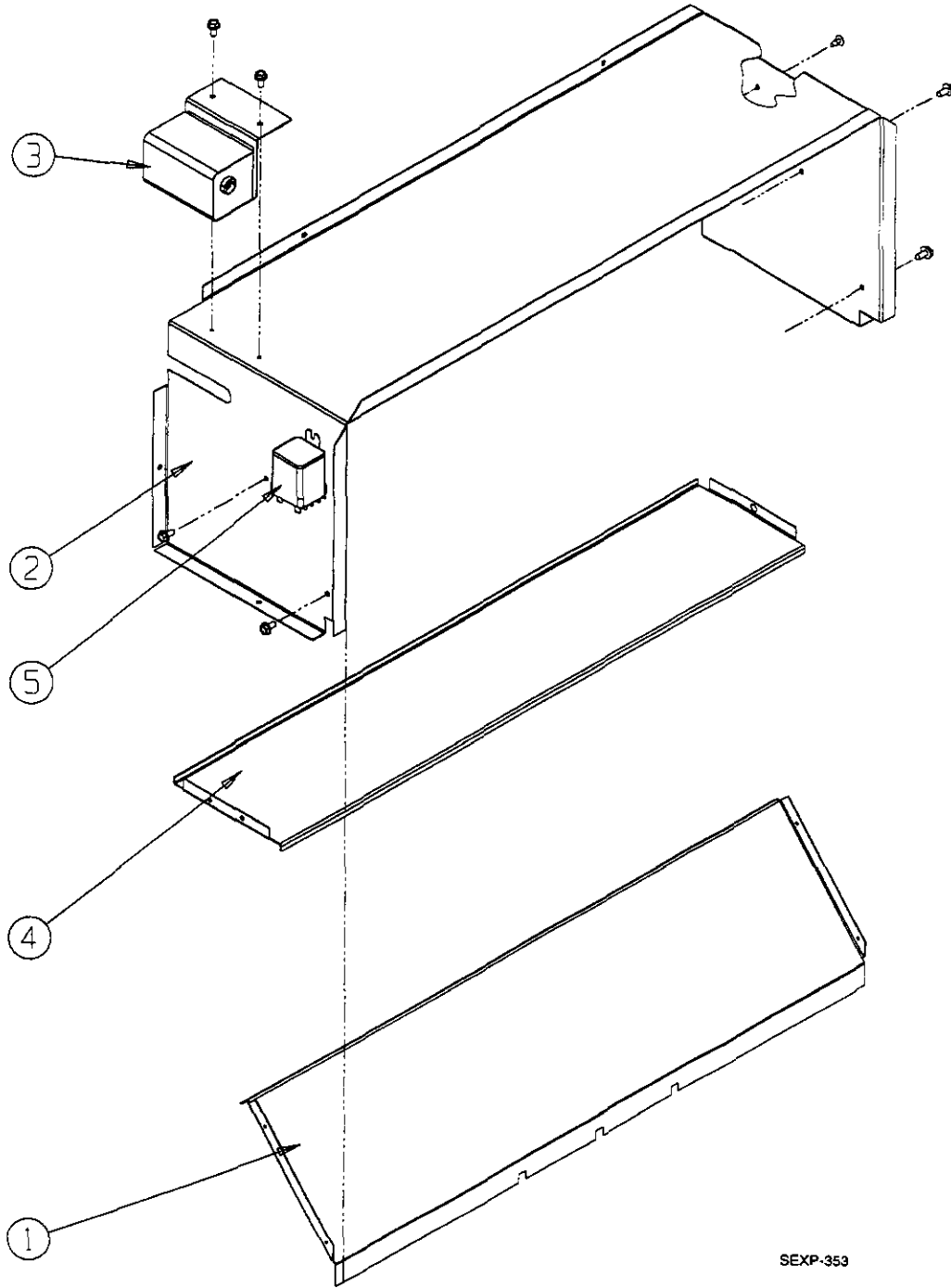
**BARD MANUFACTURING COMPANY**  
Bryan, Ohio 43506

*Since 1914...Moving ahead, just as planned.*

Manual: 2110-1100  
Supersedes:  
File:  
Date: 06-01-2000

---

# COMPONENTS



SEXP-353

Drawing No.	Part No.	Description	WGMFAD-5
1	S139-137	Partition Assembly	X
2	S139-136	Wrapper Assembly	X
3	8110-001	Damper Motor	X
4	139-140	Blade	X
5	8201-048	Relay	X