

---

# REPLACEMENT PARTS MANUAL

# WALL MOUNTED GAS/ELECTRIC ECONOMIZER

Model: **WGEIFM-3C**  
**WGEIFM-5C**

---

## General Notes

- Revised and/or additional pages may be issued from time to time.
- A complete and current manual consists of pages shown in the following contents section.

## Important

- Contact the installing and/or local Bard distributor for all parts requirements. Make sure you have the complete model and serial number available from the unit rating plates.

## Contents

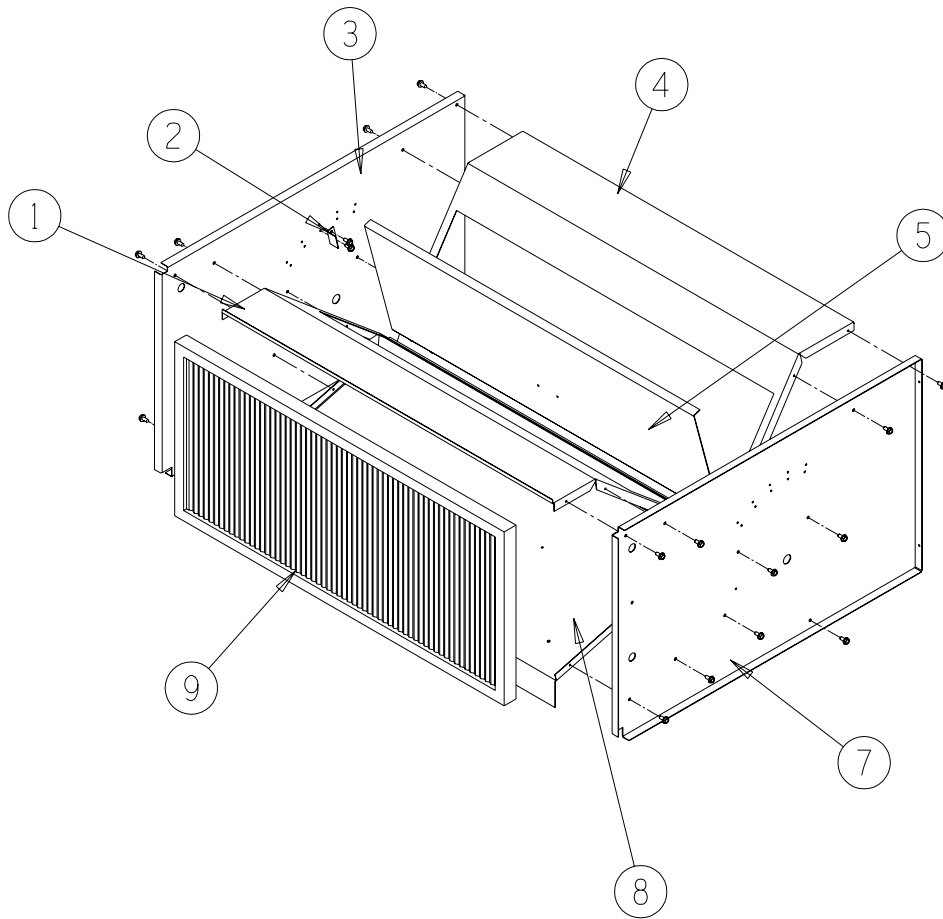
Description	Page
Cabinet Components	
♦ Exploded View .....	2
♦ Usage List .....	2
Functional Components	
WGEIFM	
♦ Exploded View .....	3
♦ Usage List .....	3



Bard Manufacturing Company, Inc.  
Bryan, Ohio 43506  
*Since 1914...Moving ahead, just as planned.*

Manual: 2110-1103D  
Supersedes: 2110-1103C  
File: Tab 19  
Date: 02-24-10

# CABINET COMPONENTS

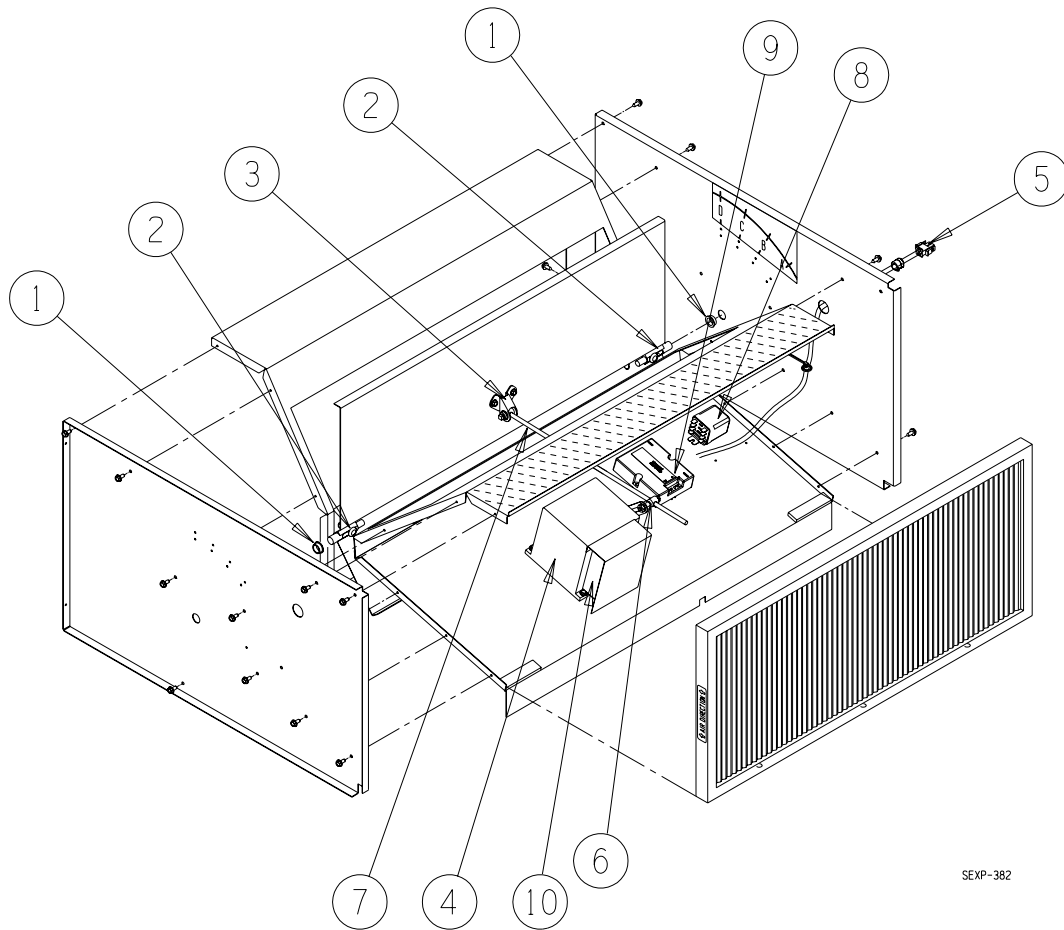


SEXP-358

Drawing No.	Part No.	Description	WGEIFM-3C	Part No.	Description	WGEIFM-5C
1	S137-457	Front Fill	X	S137-442	Front Fill	X
3	S101Y402	Left Side	X	S101Y378	Left Side	X
4	S137-458	Rear Fill	X	S137-464	Rear Fill	X
5	S139-162	Damper Blade	X	S139-139	Damper Blade	X
7	S101X402	Right Side	X	S101X378	Right Side	X
8	S127-322	Base	X	S127-303	Base	X
9	7003-058	Mist Eliminator	X	7003-054	Mist Eliminator	X
NS	136-459	Bottom Fill	X	136-465	Bottom Fill	X

NS = Not Shown

# FUNCTIONAL COMPONENTS



SEXP-382

Drawing No.	Part No.	Description	WGEIFM-3C	WGEIFM-5C
1	8302-052	Bushing	2	2
2	8602-038	Damper Blade Pin	2	2
3	8602-040	Bracket	X	X
4	8602-037	Damper Motor	X	X
5	3000-1136	Wire Assembly	X	X
6	8602-008	Ball Joint	X	X
7	8602-044	Rod	X	
7	8602-047	Rod		X
8	8201-048	Relay	X	X
9	8602-046	Enthalpy Sensor	X	X
10	8602-053	Logic Module	X	X
NS	8602-018	Thermistor	X	X
NS	113-288	Thermistor Bracket	X	X

NS = Not Shown