
REPLACEMENT PARTS MANUAL

WALL MOUNT ENERGY RECOVERY VENTILATOR

Model:
CHCRV-5

General Notes

- Revised and/or additional pages may be issued from time to time.
- A complete and current manual consists of pages shown in the following contents section.

Contents

Description	Page
Functional and Cabinet Components	
♦ Exploded View	2
♦ Usage List	3

Important

- Contact the installing and/or local Bard distributor for all parts requirements. Make sure you have the complete model and serial number available from the unit rating plates.

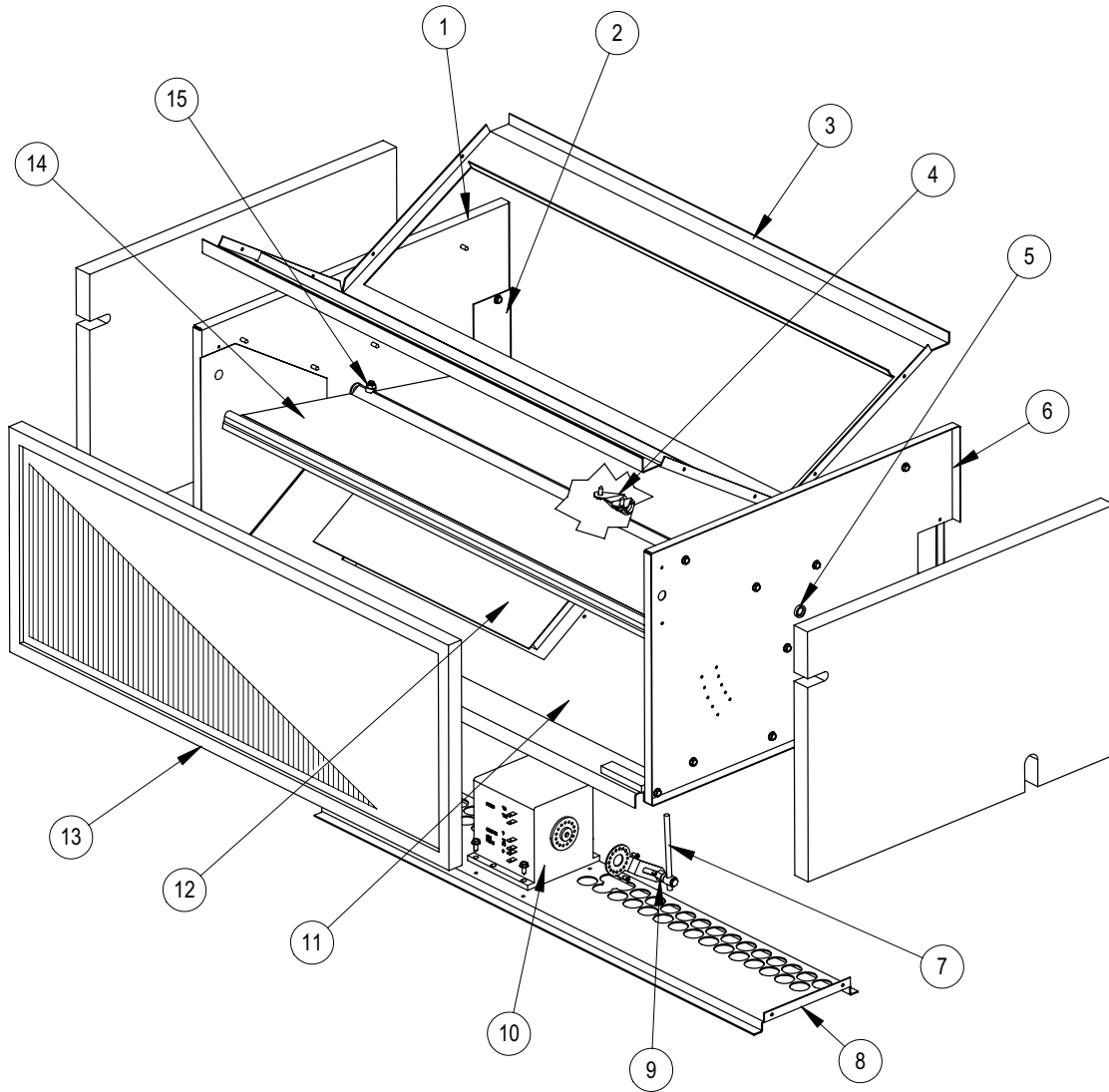


Bard Manufacturing Company, Inc.
Bryan, Ohio 43506
Since 1914...Moving, ahead just as planned.

Manual: 2110-1105
Supersedes: NEW
Tab: 19
Date: 06-26-06

CLIMATE CONTROL SOLUTIONS

FUNCTIONAL AND CABINET COMPONENTS



SEXP-482

FUNCTIONAL AND CABINET COMPONENTS

Drawing No.	Part No.	Description	CHCRV-5
1	S101Y145	Left Side	1
2	136-486	Side Fill Plate	2
3	S120-386	Upper Partition	1
4	8602-040	Bracket	1
5	8602-039	Bushing	2
6	S101X145	Right Side	1
7	8602-048	Rod	1
8	126-340	Motor Base	1
9	8602-008	Ball Joint	1
10	8602-017	Motor	1
11	S120-387	Lower Partition	1
12	S142-099	Cover Plate	1
13	7003-035	Mist Eliminator	1
14	S138-182	Damper Blade	1
15	8602-040	Damper Pin	2
NS	8201-104	Vent Control	1
NS	4056-187	Wiring Diagram	1

NS = Not Shown