

---

# REPLACEMENT PARTS MANUAL

# WALL MOUNT ENERGY RECOVERY VENTILATOR

Model:  
**CHCRV-5**

---

## General Notes

- Revised and/or additional pages may be issued from time to time.
- A complete and current manual consists of pages shown in the following contents section.

## Contents

Description	Page
Functional and Cabinet Components	
♦ Exploded View .....	2
♦ Usage List .....	3

## Important

- Contact the installing and/or local Bard distributor for all parts requirements. Make sure you have the complete model and serial number available from the unit rating plates.



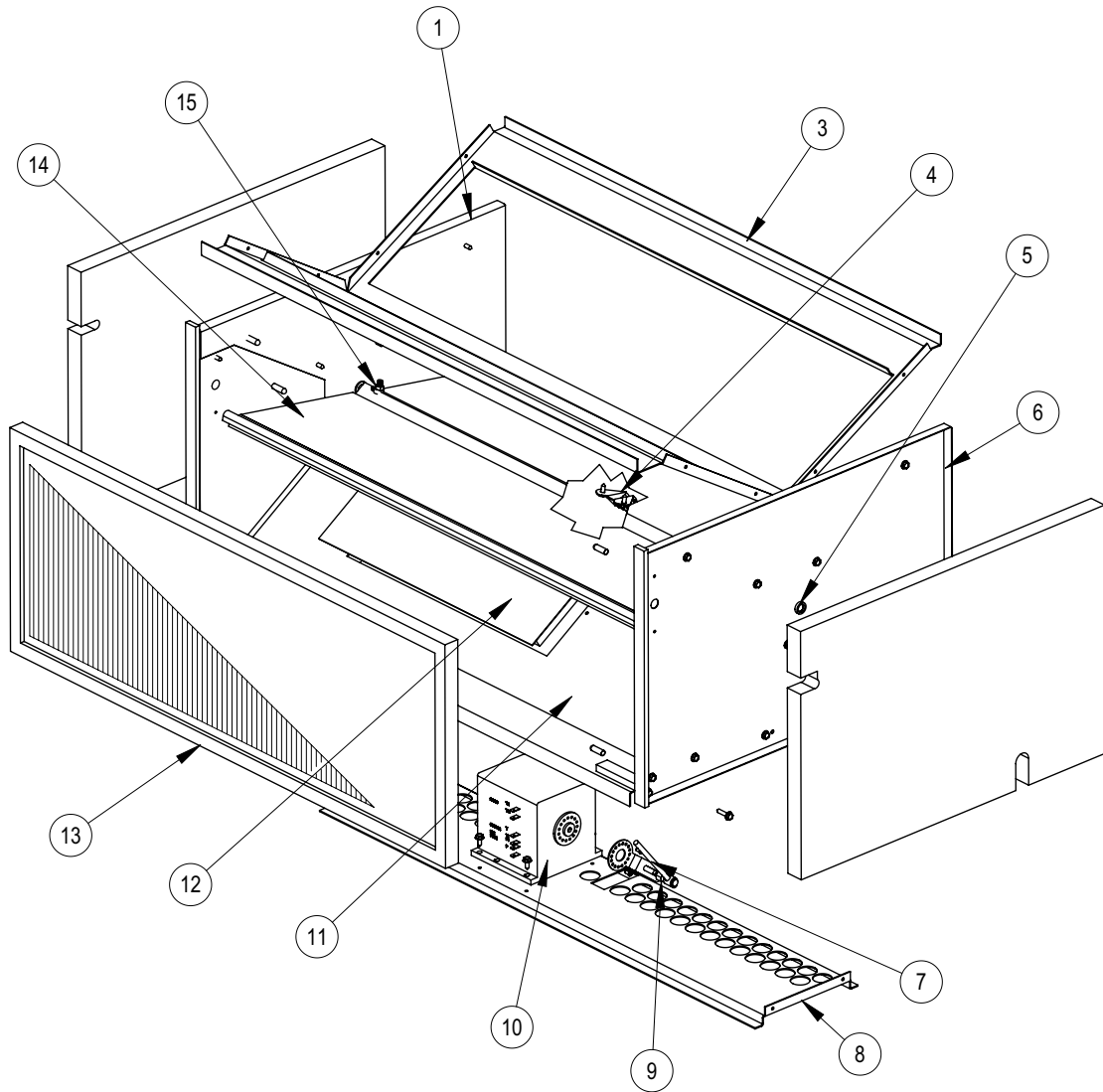
Bard Manufacturing Company, Inc.  
Bryan, Ohio 43506  
*Since 1914...Moving, ahead just as planned.*

Manual: 2110-1108  
Supersedes: **NEW**  
Tab: 19  
Date: 05-09-07

CLIMATE CONTROL SOLUTIONS

# FUNCTIONAL AND CABINET COMPONENTS

---



SEXP-482 A

# FUNCTIONAL AND CABINET COMPONENTS

---

<b>Drawing No.</b>	<b>Part No.</b>	<b>Description</b>	<b>CHCRV-5</b>
1	S101Y499	Left Side	1
3	S120-424	Upper Partition	1
4	8602-040	Bracket	1
5	8602-039	Bushing	2
6	S101X499	Right Side	1
7	8602-048	Rod	1
8	126-340	Motor Base	1
9	8602-008	Ball Joint	1
10	8602-017	Motor	1
11	S120-425	Lower Partition	1
12	S142-099	Cover Plate	1
13	7003-035	Mist Eliminator	1
14	S138-182	Damper Blade	1
15	8602-040	Damper Pin	2
NS	8201-104	Vent Control	1
NS	4056-187	Wiring Diagram	1

NS = Not Shown