

---

# REPLACEMENT PARTS MANUAL

# WALL MOUNTED GAS/ELECTRIC COMMERCIAL VENTILATOR

Model:    **WFCRVS**  
          **WFCRVP**

---

## General Notes

- Revised and/or additional pages may be issued from time to time.
- A complete and current manual consists of pages shown in the following contents section.

## Important

- Contact the installing and/or local Bard distributor for all parts requirements. Make sure you have the complete model and serial number available from the unit rating plates.

## Contents

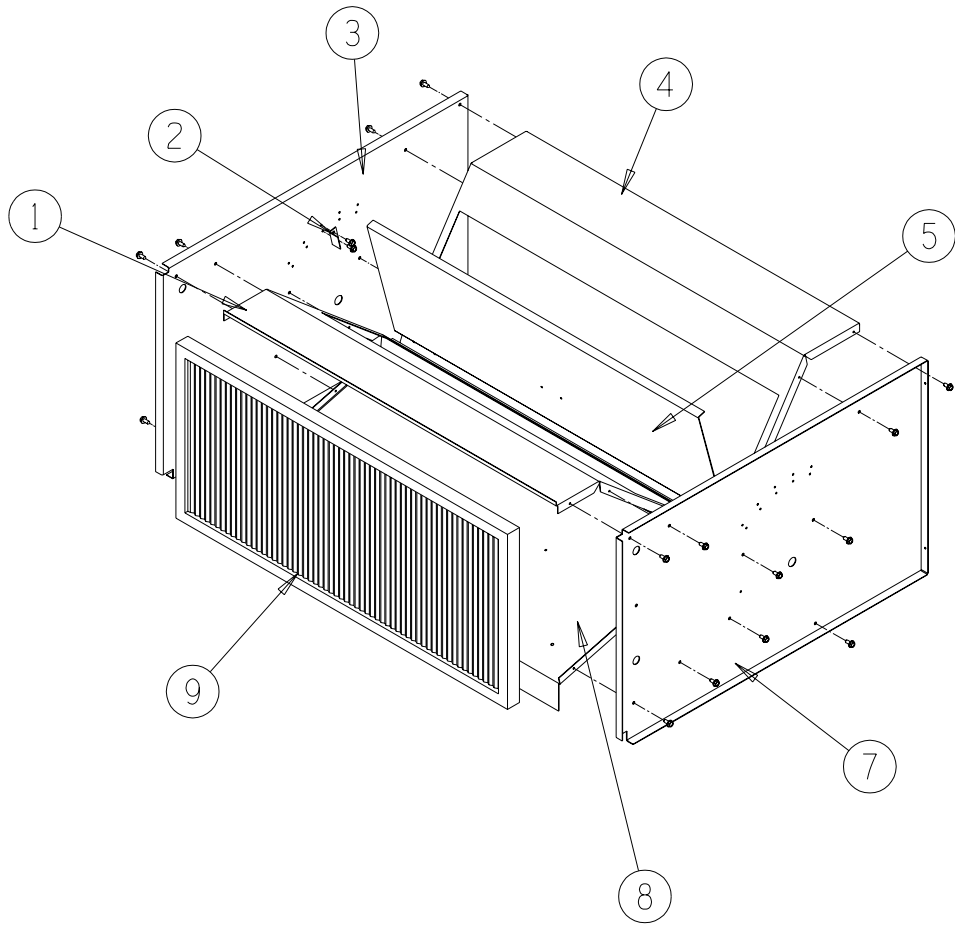
Description	Page
Cabinet Components	
♦ Exploded View .....	2
♦ Usage List .....	2
Functional Components WFCRVP	
♦ Exploded View .....	3
♦ Usage List .....	3
Functional Components WFCRVS	
♦ Exploded View .....	4
♦ Usage List .....	4



Bard Manufacturing Company, Inc.  
Bryan, Ohio 43506  
*Since 1914...Moving ahead, just as planned.*

Manual:       2110-1109  
Supersedes: **NEW**  
File:         Tab 19  
Date:         11-08-07

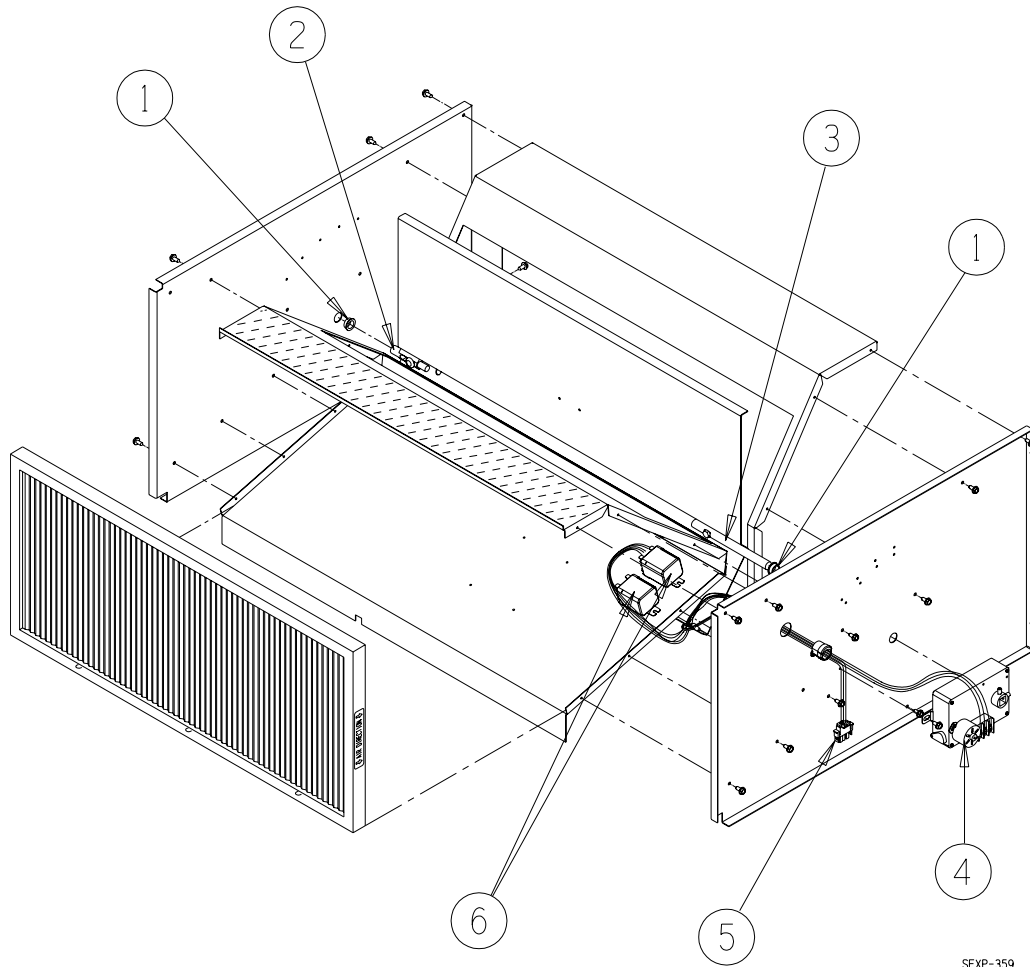
# CABINET COMPONENTS



SEXP-358

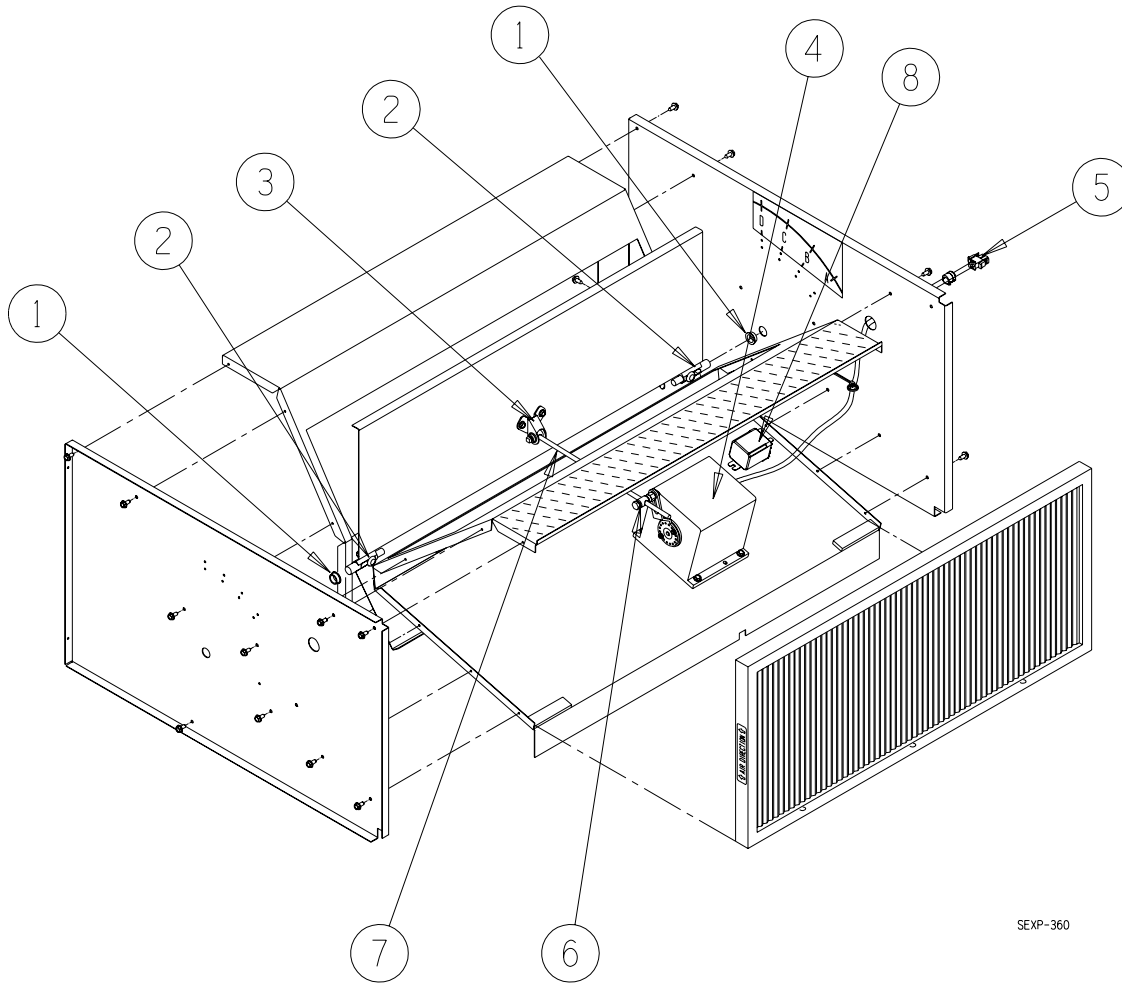
Drawing No.	Part No.	Description	WFCRVS	WFCRVP
1	S137-457	Front Fill	X	X
2	131-095	Blade Stop		X
3	S101Y402	Left Side	X	X
4	S137-458	Rear Fill	X	X
5	S139-162	Damper Blade	X	X
7	S101X402	Right Side	X	X
8	S127-322	Base	X	X
9	7003-058	Mist Eliminator	X	X
NS	136-459	Bottom Fill	X	X

# FUNCTIONAL COMPONENTS



SEXP-359

Drawing No.	Part No.	Description	WFCRVP
1	8602-052	Bushing	2
2	8602-038	Damper Blade Pin	X
3	8602-051	Shaft	X
4	8602-050	Damper Motor	X
5	3000-1117	Wire Assembly	X
6	8201-048	Relay	2



SEXP-360

Drawing No.	Part No.	Description	WFCRVS
1	8602-052	Bushing	2
2	8602-038	Damper Blade Pin	2
3	8602-040	Bracket	X
4	8602-020	Damper Motor	X
5	3000-1116	Wire Assembly	X
6	8602-008	Ball Joint	X
7	8602-044	Rod	X
8	8201-098	Relay	X