
Replacement Parts Manual

Blower Coil Unit

Model: SBC024B

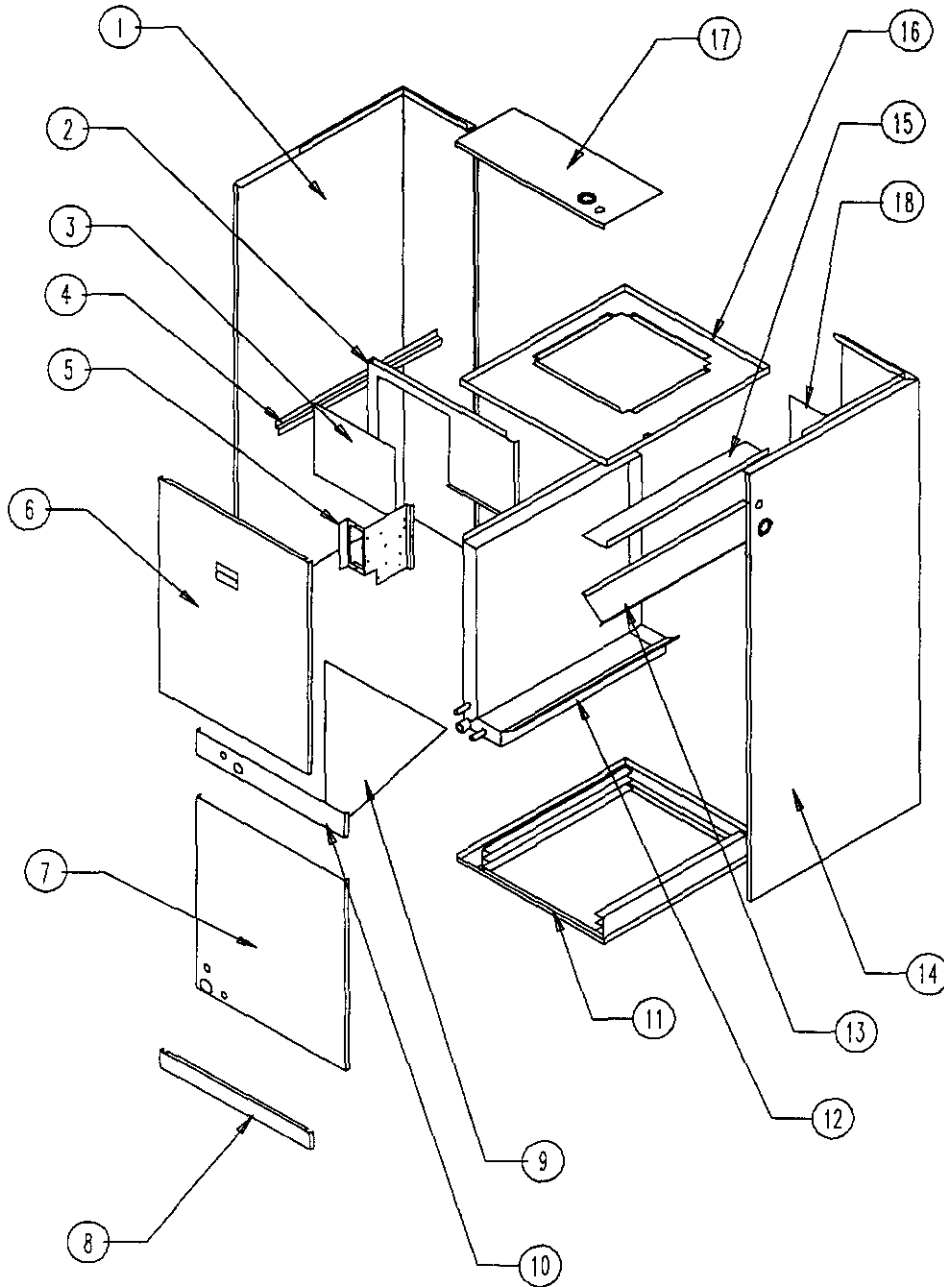
General Notes

- Revised and/or additional pages may be issued from time to time.
- A complete and current manual consists of pages shown in the following contents section.

Contents

Description	Page
Cabinet Components	
◆ Exploded View	1
◆ Usage List	2
Functional Components	
◆ Exploded View	3
◆ Usage List	4

Cabinet Components

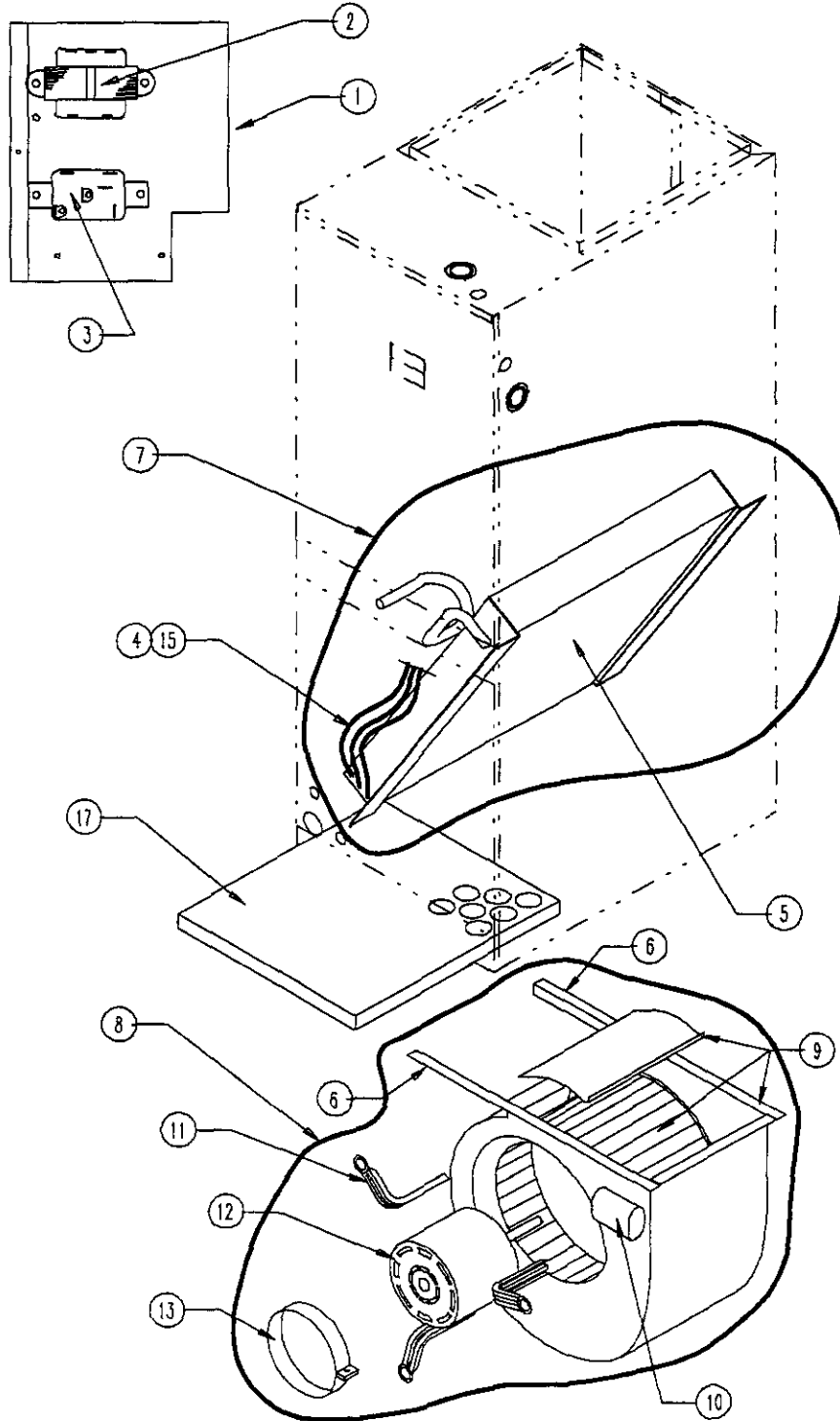


SEXP-064

Cabinet Components

Drawing No.	Part No.	Description	SBC024B
1	500-338	Left Side	X
2	120-140	Partition	X
3	136-144	Block Off Plate	X
4	102-392	Coil Assembly Support (Left Side)	X
5	116-118	Control Panel Assembly	X
6	552-287	Upper Door	X
7	552-288	Lower Door	X
8	552-289	Filter Door	X
9	136Y143	Coil Support	X
10	540-237	Tubing Entrance Panel	X
11	127-157	Lower Base Assembly	X
12	123-072	Water Pan Assembly	X
13	136-140	Top Coil Assembly	X
14	500-339	Right Side	X
15	140-147	Coil Assembly Support (Right Side)	X
16	126-158	Blower Base	X
17	506-195	Top Assembly	X
18	136X143	Coil Support	X

Functional Components



SEXP-241

Functional Components

Drawing			SBC024B
No.	Part No.	Description	
1	8607-019	Terminal Strip	X
2	8407-047	Transformer 75VA	X
3	8201-009	Blower Relay	X
4	5625-014	Distributor	X
5	5060-057	Evaporator Coil	X
6	104-846	Blower Angle	2
7	600-0037	Complete Coil Assembly W/Drain Pan	X
8	900-149	Complete Blower Assembly	X
9	5152-064	Blower Housing Assembly 10 x 6	X
10	8552-002	Capacitor 5/370V	X
11	8200-034	Motor Mount Arm	3
12	8104-008	Motor 1/4 HP 230V	X
13	8200-033	Motor Mount Band	X
15	5651-139	Expansion Valve	X
17	7004-003	Filter 12 x 20 x 1	X
NS	4088-800	Wiring Diagram	X

NS – Not Shown

