
Replacement Parts Manual

Blower Coil Unit Model: SBC024B

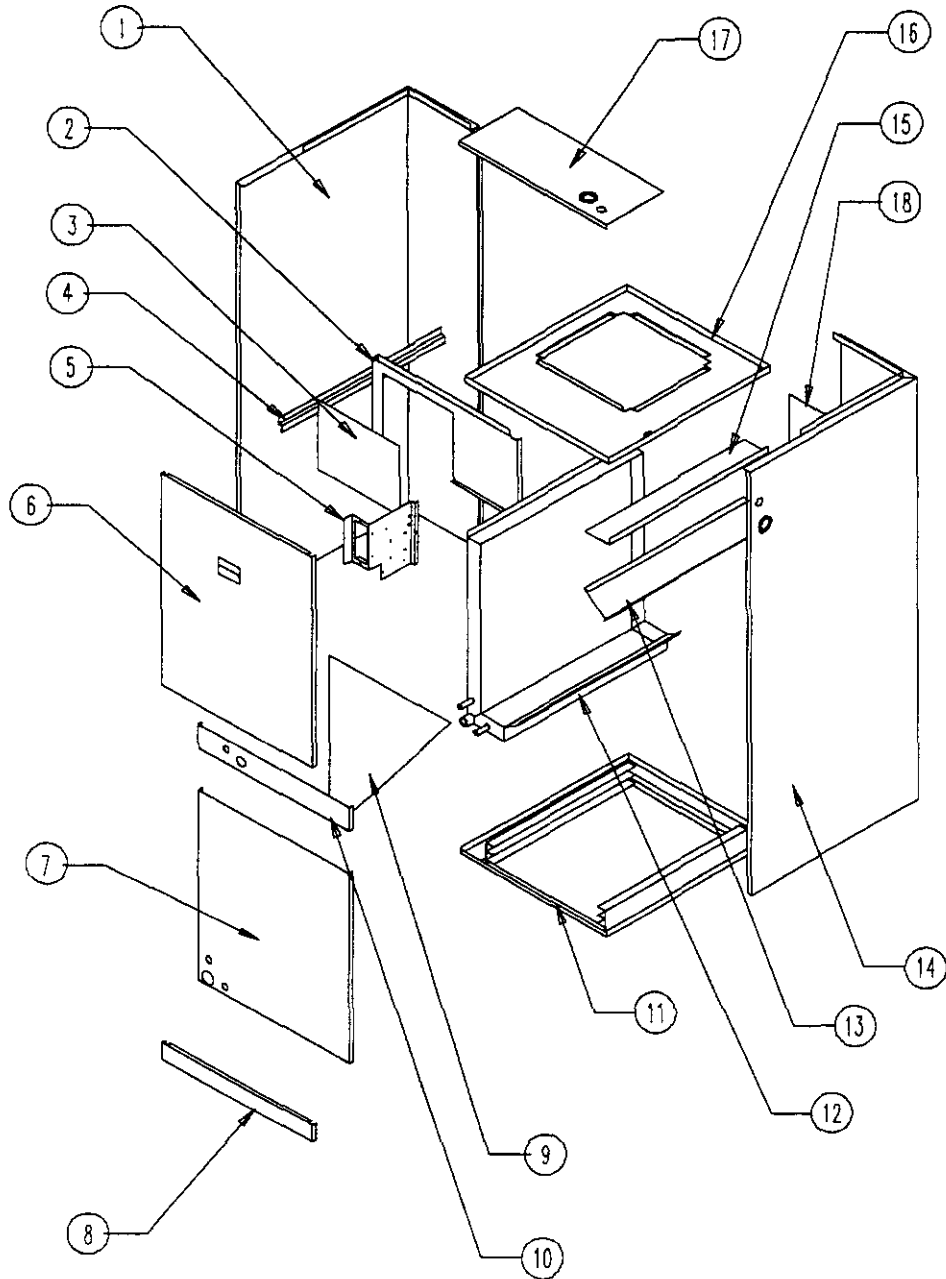
General Notes

- Revised and/or additional pages may be issued from time to time.
- A complete and current manual consists of pages shown in the following contents section.

Contents

<u>Description</u>	<u>Page</u>
Cabinet Components	
◆ Exploded View	1
◆ Usage List	2
Functional Components	
◆ Exploded View	3
◆ Usage List	4

Cabinet Components

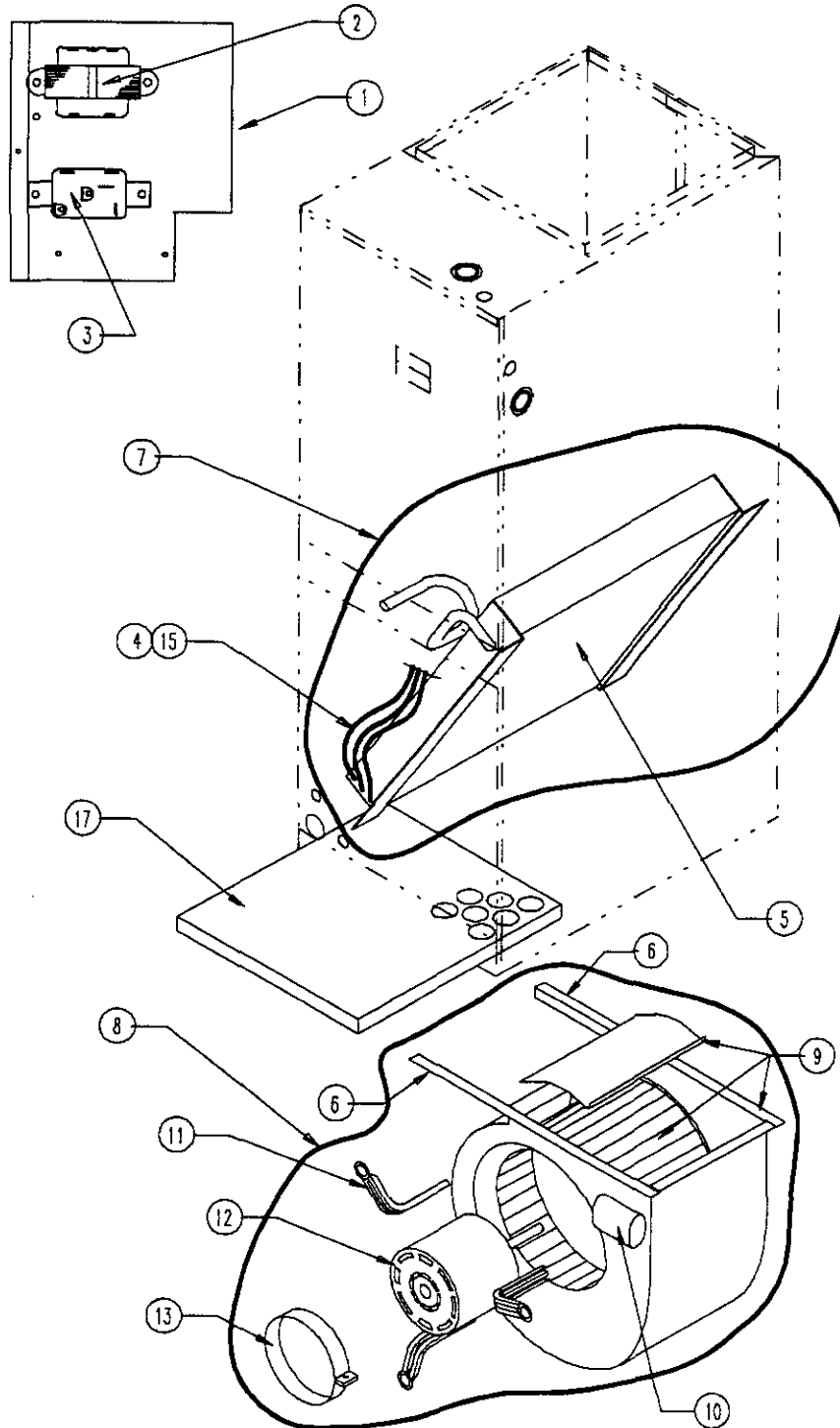


SEXP-064

Cabinet Components

Drawing			SBC024B
No.	Part No.	Description	
1	500-214	Left Side	•
2	120-140	Partition	•
3	136-144	Block Off Plate	•
4	102-392	Coil Assembly Support (Left Side)	•
5	116-118	Control Panel Assembly	•
6	552-162	Upper Door	•
7	552-190	Lower Door	•
8	552-164	Filter Door	•
9	136Y143	Coil Support	•
10	540-232	Tubing Entrance Panel	•
11	127-157	Lower Base Assembly	•
12	123-072	Water Pan Assembly	•
13	136-140	Top Coil Assembly	•
14	500-213	Right Side	•
15	140-147	Coil Assembly Support (Right Side)	•
16	126-158	Blower Base	•
17	506-118	Top Assembly	•
18	136X143	Coil Support	•

Functional Components



SEXP-241

Drawing			SBC024B
No.	Part No.	Description	
1	8607-019	Terminal Strip	•
2	8407-047	Transformer 75VA	•
3	8201-009	Blower Relay	•
4	5625-014	Distributor	•
5	5060-057	Evaporator Coil	•
6	104-846	Blower Angle	2
7	600-0037	Complete Coil Assembly W/Drain Pan	•
8	900-149	Complete Blower Assembly	•
9	5152-064	Blower Housing Assembly 10 x 6	•
10	8552-002	Capacitor 5/370V	•
11	8200-034	Motor Mount Arm	3
12	8104-008	Motor 1/4 HP 230V	•
13	8200-033	Motor Mount Band	•
15	5651-139	Expansion Valve	•
17	7004-003	Filter 12 x 20 x 1	•
NS	4088-800	Wiring Diagram	•

NS – Not Shown