
REPLACEMENT PARTS MANUAL

COMMERCIAL ROOM VENTILATOR

MODEL: QWSCRV

General Notes

- Revised and/or additional pages may be issued from time to time.
- A complete and current manual consists of pages shown in the following contents section.

Contents

Description	Page
Functional & Cabinet Components	
♦ Exploded View.....	2
♦ Usage List	3

Important

- Contact the installing and/or local Bard distributor for all parts requirements. Make sure you have the complete model and serial number available from the unit rating plates.

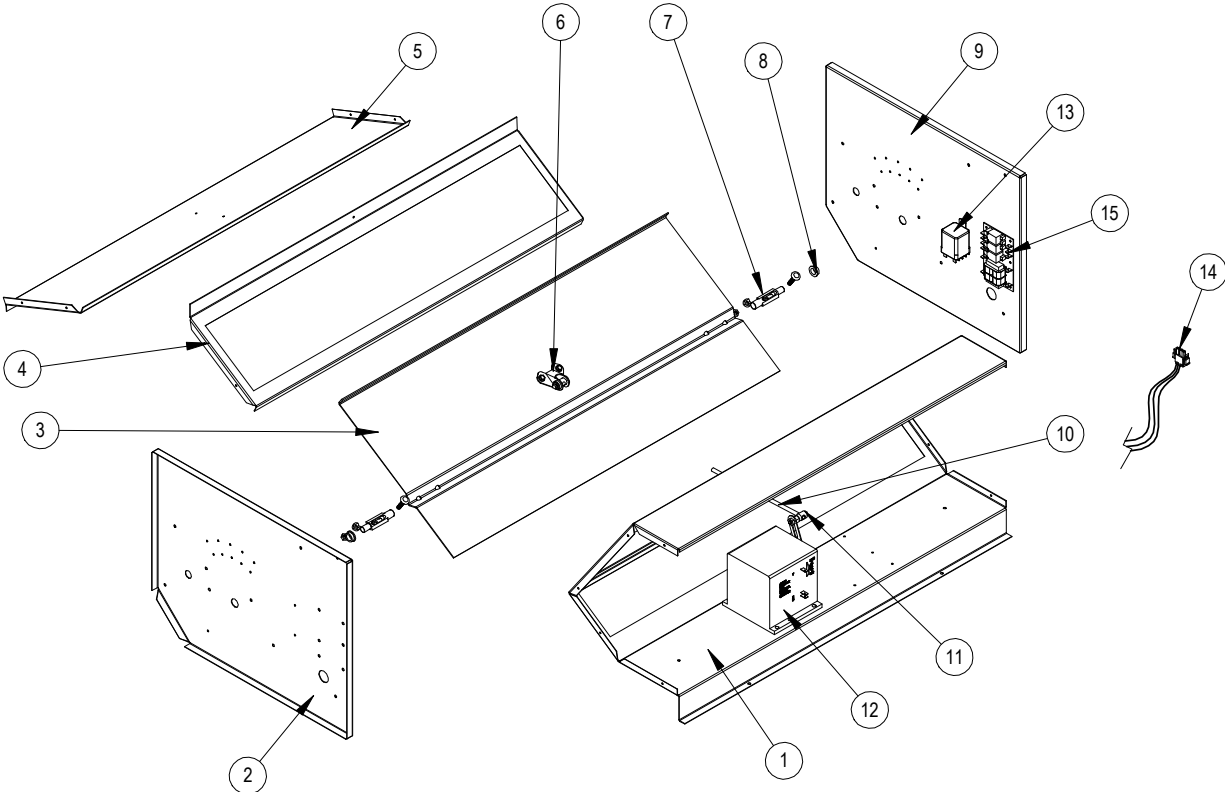


Climate Control Solutions

Bard Manufacturing Company, Inc.
Bryan, Ohio 43506
Since 1914...Moving ahead, just as planned.

Manual: 2110-1114A
Supersedes: 2110-1114
File: Vol II Tab 14
Date: 05-17-13

FUNCTIONAL and CABINET COMPONENTS



SEXP-550

FUNCTIONAL and CABINET COMPONENTS

920-0063 w/3-Step Control
920-0194 0-10Vdc Modulating

1	137-370	Front Fill	X	X
2	100Y346	Left End	X	X
3	139-116	Blade	X	X
4	137-369	Rear Fill	X	X
5	127-279	Base	X	X
6	8602-040	Bracket	X	X
7	8602-038	Damper Blade Pin	2	2
8	8602-039	Bushing	2	2
9	100X346	Right End	X	X
10	8602-044	Rod	X	X
11	8602-008	Ball Joint	X	X
12	8602-017	Motor	X	X
13	8201-048	Relay	X	
14	3000-1336	Wire Assembly	X	
14	3000-1438	Wire Assembly		X
15	8201-104	Damper Step Control	X	
NS	4114-101	Wiring Diagram	X	
NS	4114-103	Wiring Diagram		X
NS	8602-070	0-10 Vdc Control Module		X