

---

# REPLACEMENT PARTS MANUAL

# COMMERCIAL ROOM VENTILATOR

## MODEL: QWSCRV

---

### General Notes

- Revised and/or additional pages may be issued from time to time.
- A complete and current manual consists of pages shown in the following contents section.

### Contents

Description	Page
Functional & Cabinet Components	
♦ Exploded View .....	2
♦ Usage List .....	3

### Important

- Contact the installing and/or local Bard distributor for all parts requirements. Make sure you have the complete model and serial number available from the unit rating plates.

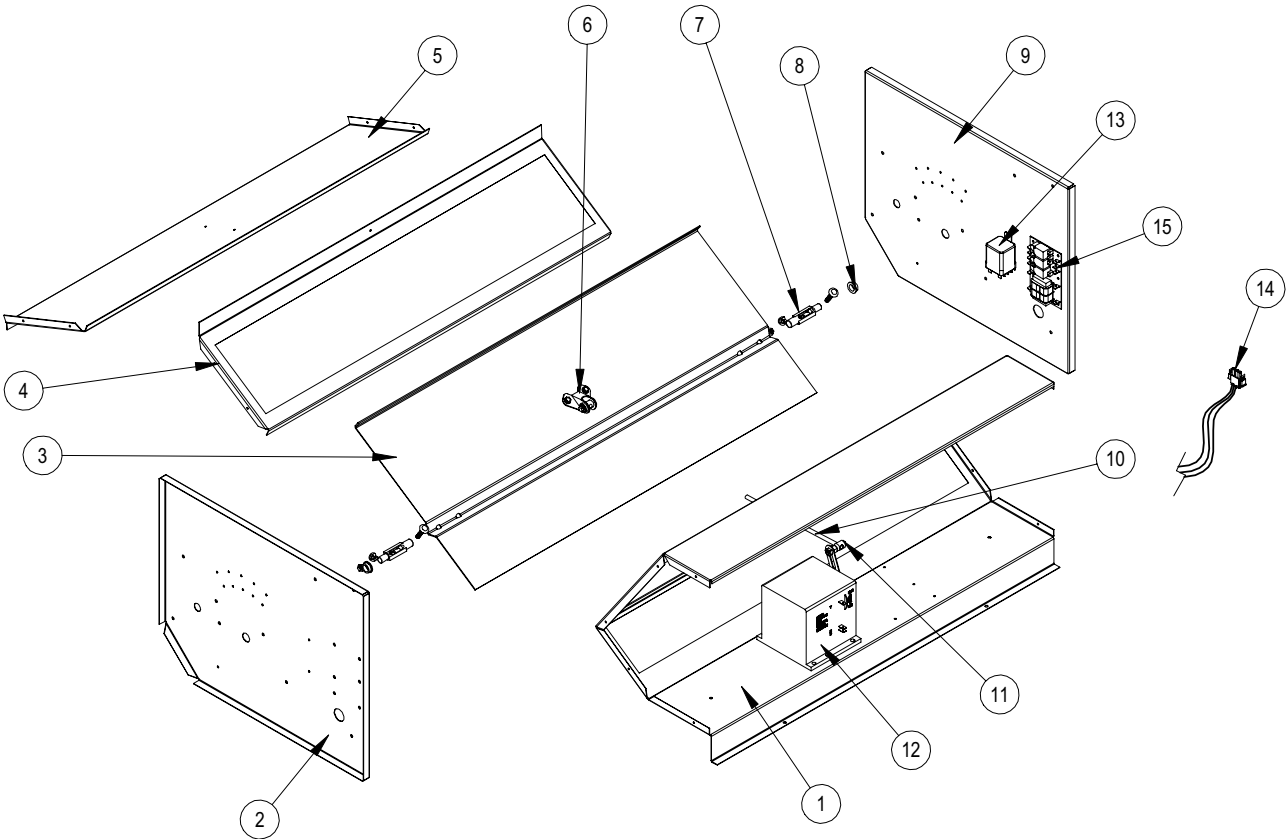


CLIMATE CONTROL SOLUTIONS

Bard Manufacturing Company, Inc.  
Bryan, Ohio 43506  
*Since 1914...Moving ahead just as planned.*

Manual: 2110-1114  
Supersedes: **NEW**  
File: Vol II Tab 14  
Date: 12-10-09

# FUNCTIONAL and CABINET COMPONENTS



SEXP-550

## FUNCTIONAL and CABINET COMPONENTS

---

<b>Drawing No.</b>	<b>Part No.</b>	<b>Description</b>	<b>QWSCRV</b>
1	137-370	Front Fill	X
2	100Y346	Left End	X
3	139-116	Blade	X
4	137-369	Rear Fill	X
5	127-279	Base	X
6	8602-040	Bracket	X
7	8602-038	Damper Blade Pin	2
8	8602-039	Bushing	2
9	100X346	Right End	X
10	8602-044	Rod	X
11	8602-008	Ball Joint	X
12	8602-017	Motor	X
13	8201-048	Relay	X
14	3000-1336	Wire Assembly	X
15	8201-104	Damper Step Control	X
NS	4114-101	Wiring Diagram	X