

---

# REPLACEMENT PARTS MANUAL

---

## Wall-Mounted Gas/Electric Energy Recovery Ventilator

Models:

WGERV-A3B WGERV-A5B WGSERV-A5A  
WGERV-C3C WGERV-C5C WGSERV-C5A

---

### Contents

| Description                   | Page |
|-------------------------------|------|
| Cabinet Components – Intake   |      |
| ♦ Exploded View .....         | 2    |
| ♦ Usage List .....            | 3    |
| Cabinet Components – Exhaust  |      |
| ♦ Exploded View .....         | 4    |
| ♦ Usage List .....            | 4    |
| Blower Components             |      |
| ♦ Exploded View .....         | 5    |
| ♦ Usage List .....            | 5    |
| Cassette Components           |      |
| ♦ Exploded View .....         | 6    |
| ♦ Usage List .....            | 6    |
| Control Panel Components      |      |
| ♦ Exploded View .....         | 7    |
| ♦ Usage List .....            | 7    |
| Rain Hood and Door Components |      |
| ♦ Exploded View .....         | 8    |
| ♦ Usage List .....            | 8    |

### General Notes

- Revised and/or additional pages may be issued from time to time.
- A complete and current manual consists of pages shown in the following contents section.

### Important

- Contact the installing and/or local Bard distributor for all parts requirements. Be sure to have the complete model and serial number available from the unit rating plates.



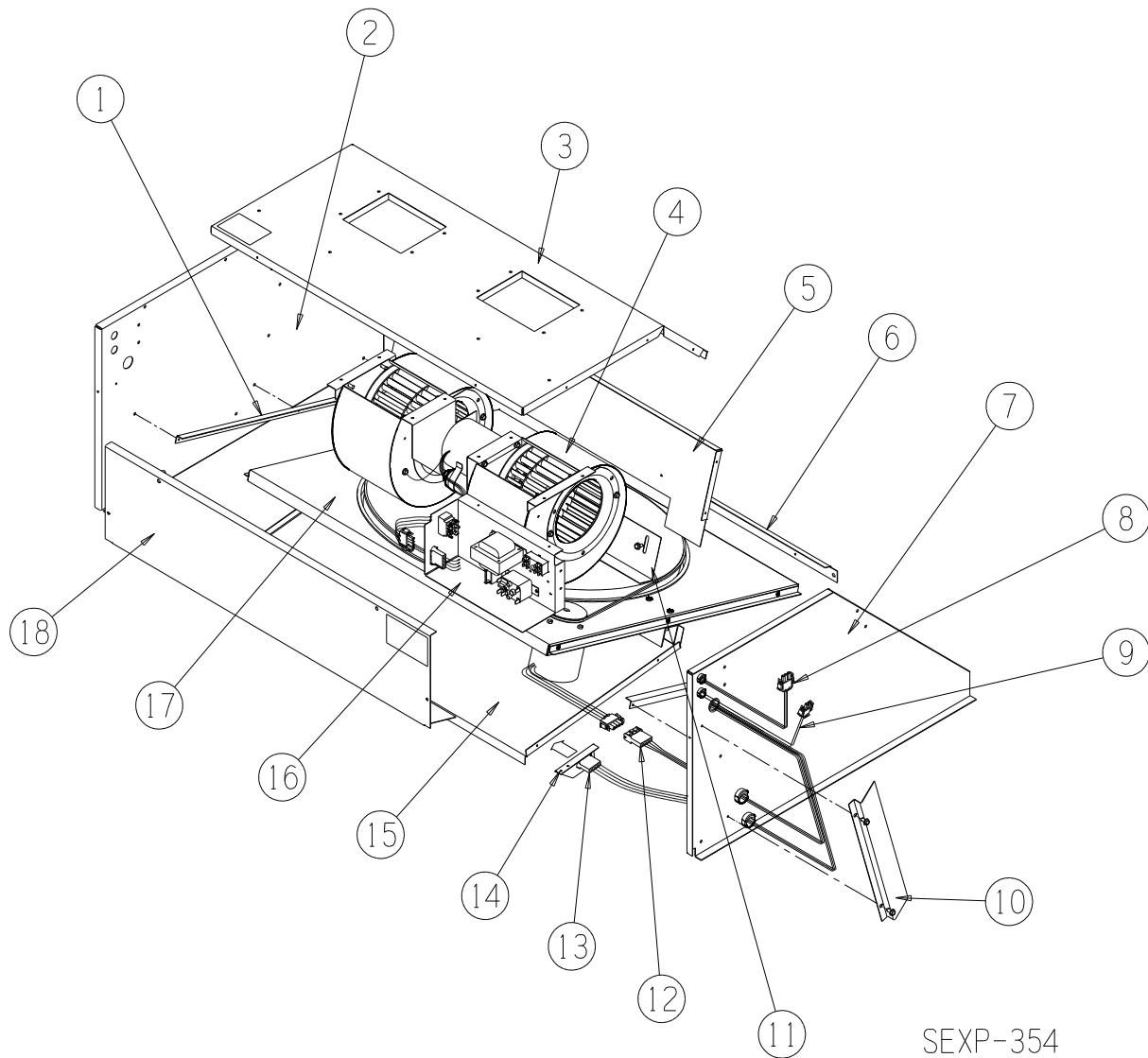
*Climate Control Solutions*

Bard Manufacturing Company, Inc.  
Bryan, Ohio 43506  
www.bardhvac.com

Manual: 2110-1115C  
Supersedes: 2110-1115B  
Date: 12-8-23

# CABINET COMPONENTS - INTAKE

---

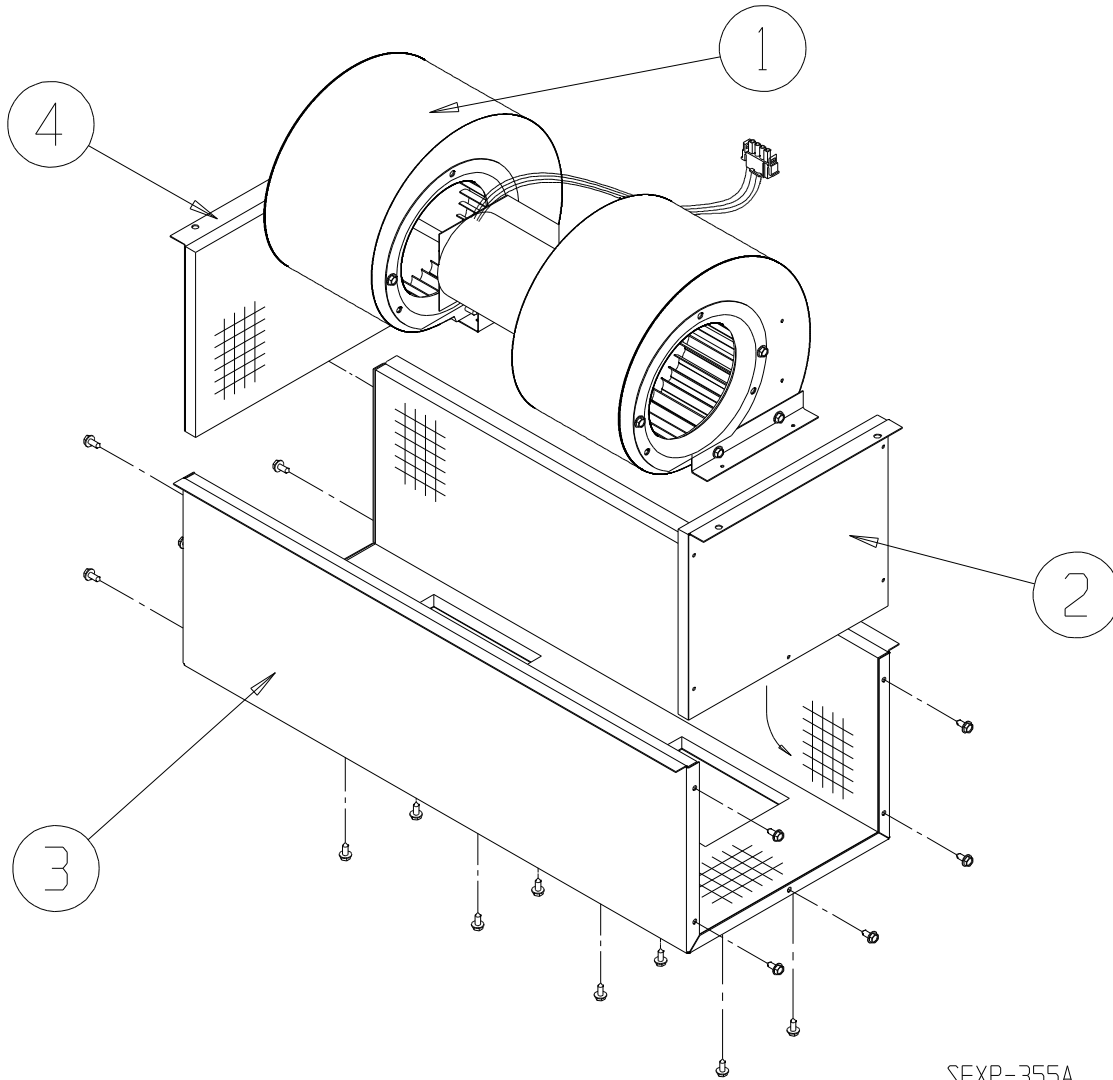


SEXP-354

## CABINET COMPONENTS – INTAKE

| Drawing No. | Part No.        | Description                 | WGERV-A3B | WGERV-C3C | WGERV-A5B<br>WGSERV-A5A | WGERV-C5C<br>WGSERV-C5A |
|-------------|-----------------|-----------------------------|-----------|-----------|-------------------------|-------------------------|
| 1           | 105Y1117        | Left Side Angle             | X         | X         |                         |                         |
| 1           | 105Y1085        | Left Side Angle             |           |           | X                       | X                       |
| 2           | S101Y609        | Left Side                   | X         | X         |                         |                         |
| 2           | S101Y608        | Left Side                   |           |           | X                       | X                       |
| 3           | S107-289        | Top                         | X         | X         |                         |                         |
| 3           | S107-288        | Top                         |           |           | X                       | X                       |
| 4           | Blower Assembly | See Blower Assembly Drawing | X         | X         | X                       | X                       |
| 5           | S121-357        | Vertical Partition          | X         | X         |                         |                         |
| 5           | S121-344        | Vertical Partition          |           |           | X                       | X                       |
| 6           | 105-1118        | Cassette Stop Angle         | X         | X         |                         |                         |
| 6           | 105-1083        | Cassette Stop Angle         |           |           | X                       | X                       |
| 7           | S101X609        | Right Side                  | X         | X         |                         |                         |
| 7           | S101X608        | Right Side                  |           |           | X                       | X                       |
| 8           | 3000-1128       | Wire Assembly               | X         |           | X                       |                         |
| 8           | 3000-1372       | Wire Assembly               |           | X         |                         | X                       |
| 9           | 3000-1347       | Wire Assembly               | X         | X         | X                       | X                       |
| 10          | 105X1117        | Right Side Angle            | X         | X         |                         |                         |
| 10          | 105X1085        | Right Side Angle            |           |           | X                       | X                       |
| 11          | S105-1119       | Pile Seal Assembly          | X         | X         |                         |                         |
| 11          | S105-1089       | Pile Seal Assembly          |           |           | X                       | X                       |
| 12          | 3000-1125       | Wire Assembly               | X         | X         | X                       | X                       |
| 13          | 3000-1343       | Wire Assembly               | X         | X         | X                       | X                       |
| 14          | 113-273         | Plug Bracket                | X         | X         | X                       | X                       |
| 15          | S127-319        | Base                        | X         | X         |                         |                         |
| 15          | S127-304        | Base                        |           |           | X                       | X                       |
| 16          | Control Panel   | See Control Panel Drawing   | X         | X         | X                       | X                       |
| 17          | 5070-040        | Cassette Assembly Complete  | X         | X         |                         |                         |
| 17          | 5070-029        | Cassette Assembly Complete  |           |           | X                       | X                       |
| 18          | 115-190         | Front                       | X         | X         |                         |                         |
| 18          | 115-189         | Front                       |           |           | X                       | X                       |

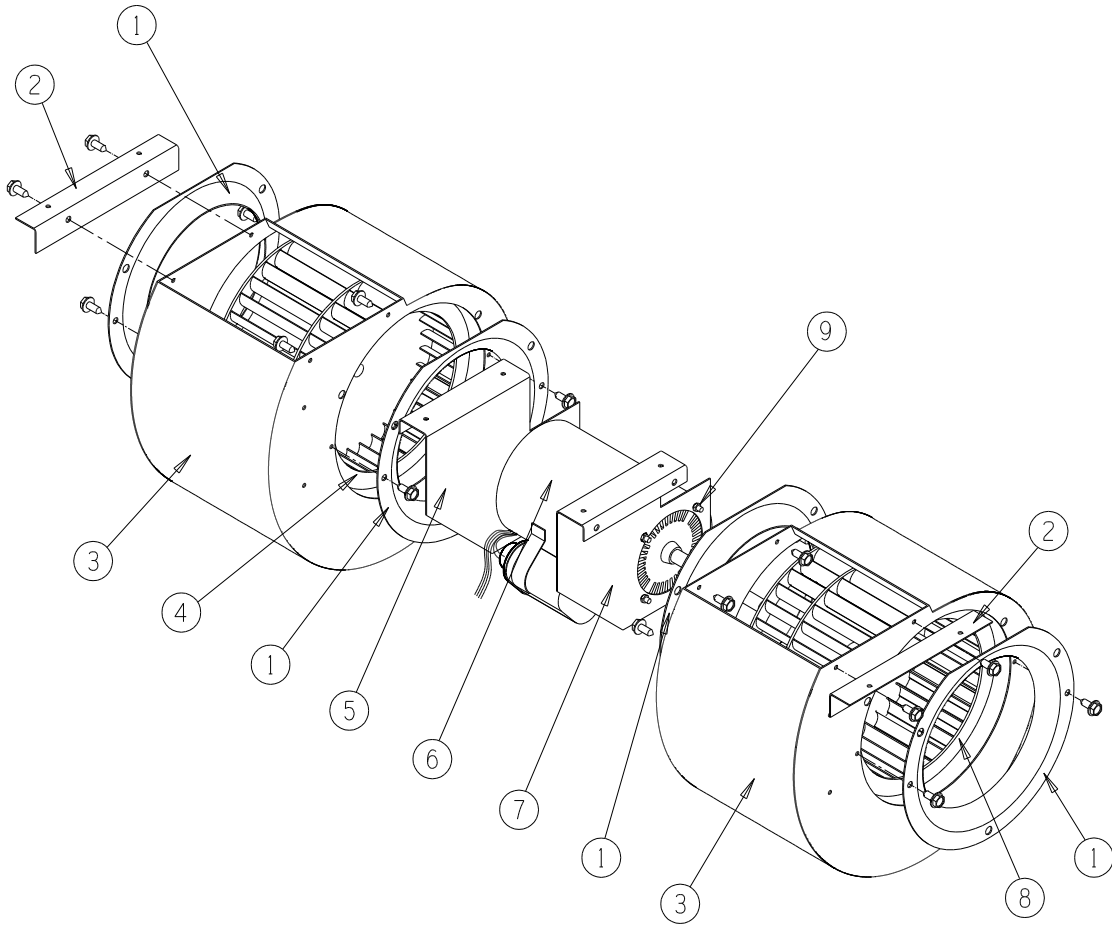
# CABINET COMPONENTS - EXHAUST



SEXP-355A

| Drawing No. | Part No.        | Description                 | WGERV-A3B | WGERV-C3C | WGERV-A5B<br>WGSERV-A5A | WGERV-C5C<br>WGSERV-C5A |
|-------------|-----------------|-----------------------------|-----------|-----------|-------------------------|-------------------------|
| 1           | Blower Assembly | See Blower Assembly Drawing | X         | X         | X                       | X                       |
| 2           | 501X584         | Right Blower Box Side       | 1         | 1         | 1                       | 1                       |
| 3           | 539-229         | Blower Box Wrapper          | X         | X         | X                       | X                       |
| 4           | 501Y584         | Left Blower Box Side        | 1         | 1         | 1                       | 1                       |

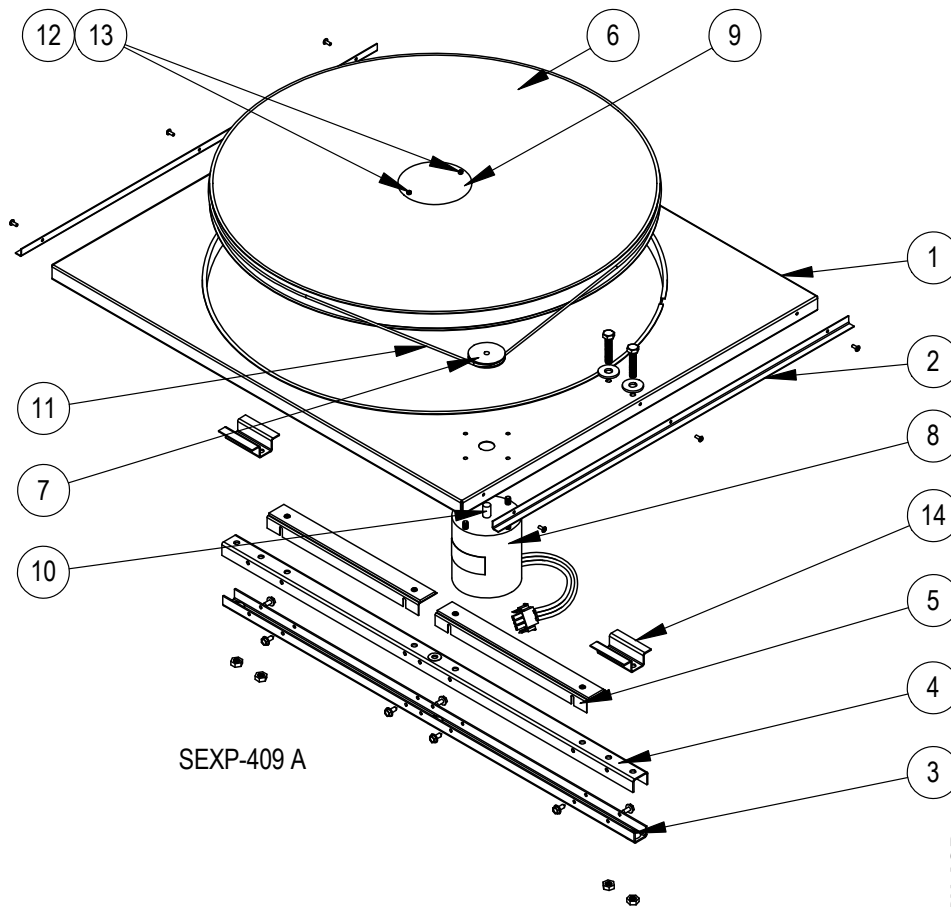
# BLOWER COMPONENTS



SEXP-356

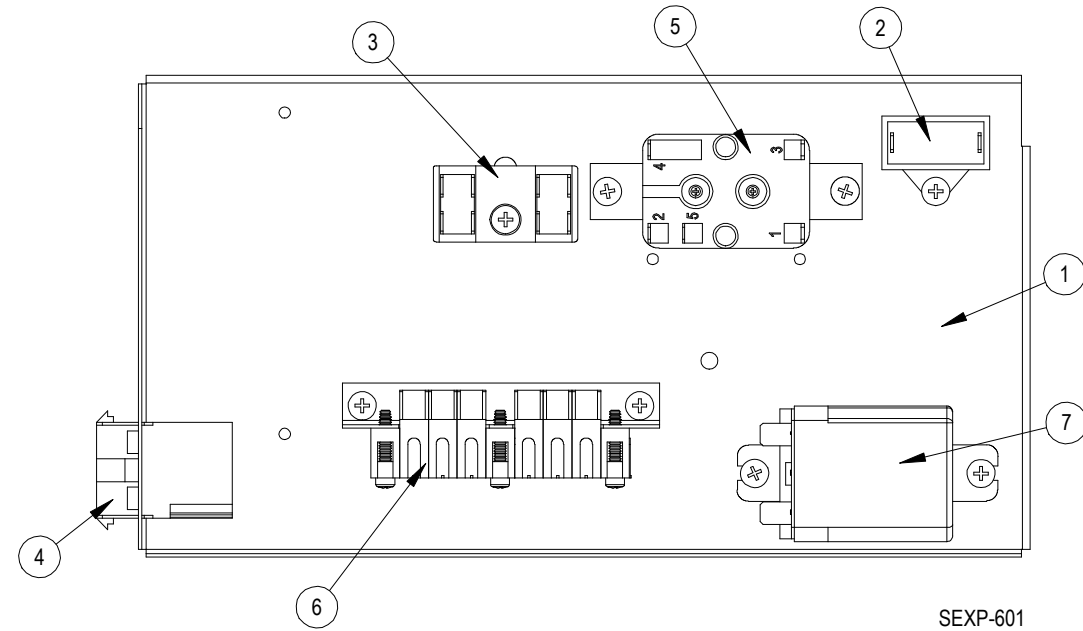
| Drawing No. | Part No. | Description                | WGERV-A3B | WGERV-C3C | WGERV-A5B<br>WGSERV-A5A | WGERV-C5C<br>WGSERV-C5A |
|-------------|----------|----------------------------|-----------|-----------|-------------------------|-------------------------|
| 1           | 144-180  | Inlet Plate                | 4         | 4         | 4                       | 4                       |
| 2           | 105-1084 | Blower Side Angle          | 2         | 2         | 2                       | 2                       |
| 3           | 151-161  | Blower Housing Assembly    | 2         | 2         | 2                       | 2                       |
| 4           | 5152-094 | Blower Wheel CCW           | X         | X         | X                       | X                       |
| 5           | 113Y274  | Left Blower Motor Support  | X         | X         | X                       | X                       |
| 6           | 8101-019 | Motor 230V                 | X         | X         | X                       | X                       |
| 7           | 113X274  | Right Blower Motor Support | X         | X         | X                       | X                       |
| 8           | 5152-095 | Blower Wheel CW            | X         | X         | X                       | X                       |
| 9           | 1012-200 | Flange Nuts                | 8         | 8         | 8                       | 8                       |

# CASSETTE COMPONENTS



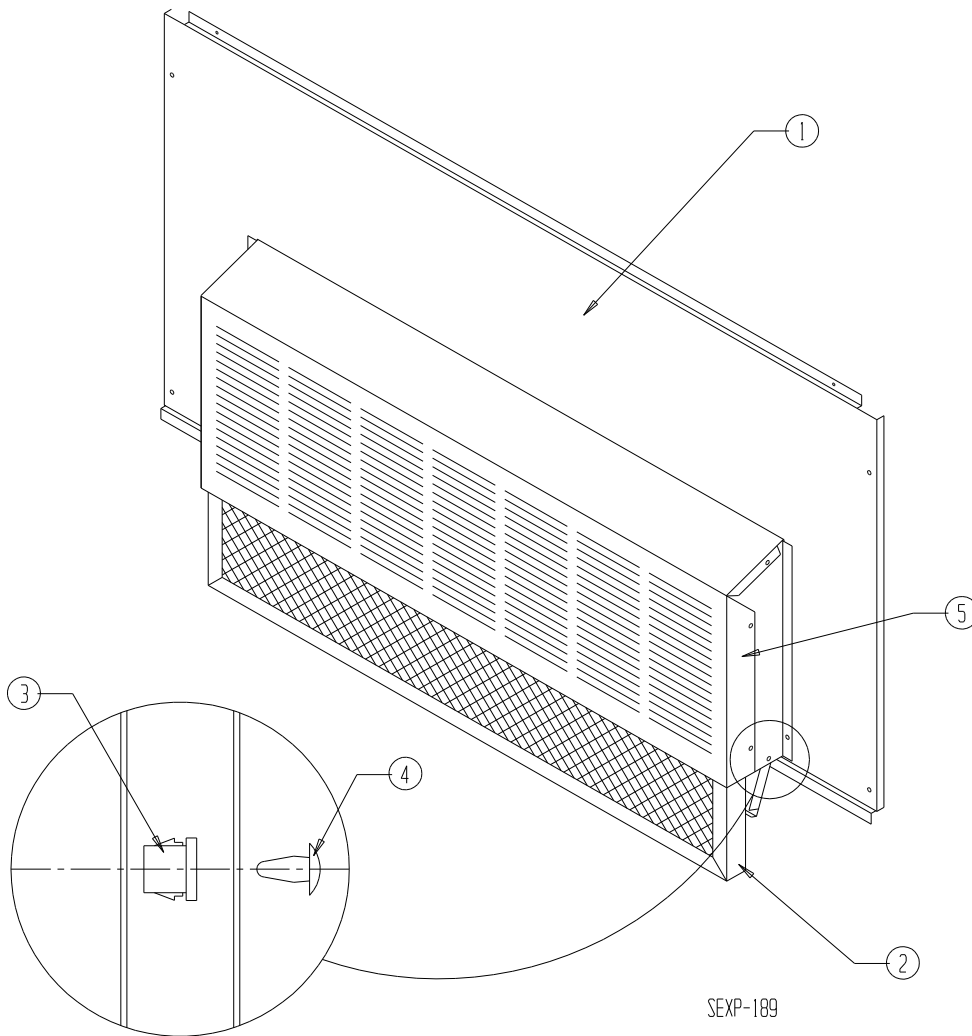
| Drawing No. | Part No. | Description                             | WGERV-A3B | WGERV-C3C | WGERV-A5B<br>WGSERV-A5A | WGERV-C5C<br>WGSERV-C5A |
|-------------|----------|---|-----------|-----------|-------------------------|-------------------------|
|             | 5070-040 | Complete Cassette with Motor and Wheels | X         | X         |                         |                         |
|             | 5070-029 | Complete Cassette with Motor and Wheels |           |           | X                       | X                       |
| 1           | 139-174  | Cassette Plate Assembly                 | X         | X         |                         |                         |
| 1           | 139-173  | Cassette Plate Assembly                 |           |           | X                       | X                       |
| 2           | 105-1082 | Side Angle                              |           |           | X                       | X                       |
| 3           | 140-300  | Support Bar – Inner                     | X         | X         |                         |                         |
| 3           | 140-297  | Support Bar – Inner                     |           |           | X                       | X                       |
| 4           | 140-299  | Support Bar – Outer                     | X         | X         |                         |                         |
| 4           | 140-296  | Support Bar – Outer                     |           |           | X                       | X                       |
| 5           | 104-1139 | Pile Seal Angle                         | 2         | 2         | 2                       | 2                       |
| 6           | 5070-046 | Cassette Wheel                          | X         | X         |                         |                         |
| 6           | 5070-045 | Cassette Wheel                          |           |           | X                       | X                       |
| 7           | 5501-018 | Pulley                                  | X         | X         | X                       | X                       |
| 8           | 8101-021 | Motor                                   | X         | X         | X                       | X                       |
| 9           | 142-104  | Hub Cover                               | X         | X         | X                       | X                       |
| 10          | 1912-012 | Wheel Shaft                             | X         | X         |                         |                         |
| 10          | 1912-011 | Wheel Shaft                             |           |           | X                       | X                       |
| 11          | 5070-030 | Drive Belt                              | X         | X         | X                       | X                       |
| 12          | 1012-164 | Machine Screw                           |           |           | 2                       | 2                       |
| 12          | 1012-165 | Machine Screw                           | 2         | 2         |                         |                         |
| 13          | 8611-111 | Nylon Spacer                            | 8         | 8         | 2                       | 2                       |
| 14          | 140-301  | Support Bar Brace                       | X         | X         |                         |                         |
| 14          | 140-298  | Support Bar Brace                       |           |           | X                       | X                       |

# CONTROL PANEL COMPONENTS



| Drawing No. | Part No.  | Description             | WGERV-A3B | WGERV-C3C | WGERV-A5B<br>WGSERV-A5A | WGERV-C5C<br>WGSERV-C5A |
|-------------|-----------|-------------------------|-----------|-----------|-------------------------|-------------------------|
| 1           | 117-294   | Control Panel           | X         | X         | X                       | X                       |
| 2           | 8552-073  | Capacitor               | X         | X         | X                       | X                       |
| 3           | 8607-017  | Terminal Block          | X         | X         | X                       | X                       |
| 4           | 3000-1341 | Wire Assembly           | X         | X         | X                       | X                       |
| 5           | 8201-009  | Relay                   | X         | X         | X                       | X                       |
| 6           | S910-1761 | Terminal Block Assembly | X         | X         | X                       | X                       |
| 7           | 8201-071  | Relay                   | X         | X         | X                       | X                       |
| NS          | 8407-059  | Stepdown Transmitter    |           | X         |                         | X                       |
| NS          | 8614-041  | Fuse Block, 2 Class CC  |           | X         |                         | X                       |
| NS          | 8414-053  | 1.4A Class CC Fuse      |           | 2         |                         | 2                       |

# RAIN HOOD AND DOOR COMPONENTS



| Drawing No. | Part No.  | Description                | WGERV-A3B | WGERV-C3C | WGERV-A5B<br>WGSERV-A5A | WGERV-C5C<br>WGSERV-C5A |
|-------------|-----------|----------------------------|-----------|-----------|-------------------------|-------------------------|
| 1           | 553-348-* | Service Door               | X         | X         |                         |                         |
| 1           | 553-329-* | Service Door               |           |           | X                       | X                       |
| 2           | 7003-059  | Mist Eliminator            | X         | X         |                         |                         |
| 2           | 7003-033  | Mist Eliminator            |           |           | X                       | X                       |
| 3           | 8611-057  | Bushing                    | 2         | 2         | 2                       | 2                       |
| 4           | 8611-059  | Canoe Clip                 | 2         | 2         | 2                       | 2                       |
| 5           | 962167    | Beige Rain Hood – Complete | X         | X         |                         |                         |
| 5           | 962168    | Gray Rain Hood – Complete  | X         | X         |                         |                         |
| 5           | 962116    | Beige Rain Hood – Complete |           |           | X                       | X                       |
| 5           | 962117    | Gray Rain Hood – Complete  |           |           | X                       | X                       |

\* Exterior cabinet parts are manufactured with various paint color options. To ensure the proper paint color is received, include the complete model and serial number of the unit for which cabinet parts are being ordered.