
REPLACEMENT PARTS MANUAL

DIRECT DIGITAL CONTROLLER

Models: **TCS24**

General Notes

- Revised and/or additional pages may be issued from time to time.
- A complete and current manual consists of pages shown in the following contents section.

Contents

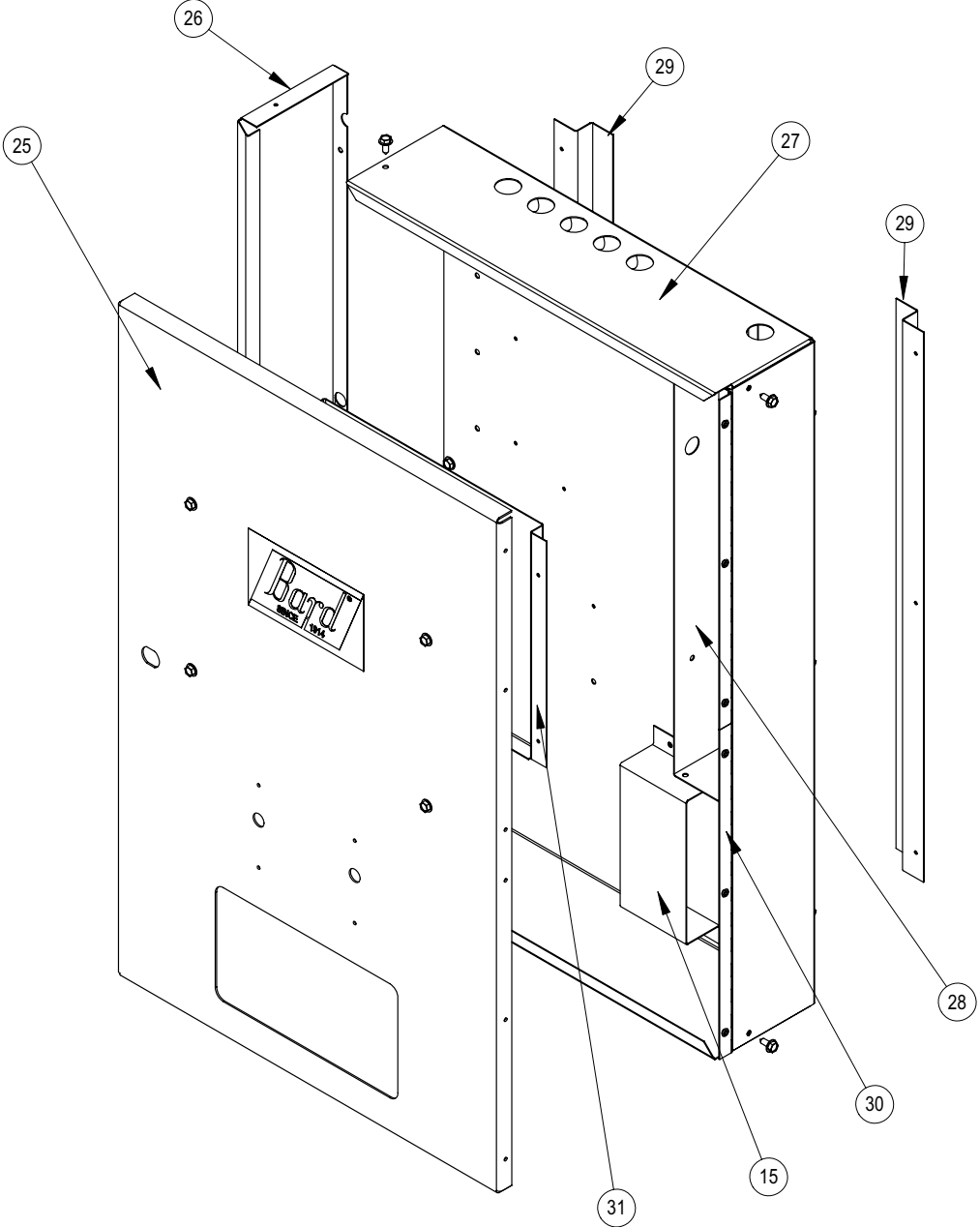
Description	Page
Functional Components	
♦ Exploded View	2
Cabinet Components – TSC24	
♦ Exploded View	3
Functional and Cabinet Components – TSC24	
♦ Usage List	4



Bard Manufacturing Company, Inc.
Bryan, Ohio 43506
Since 1914...Moving ahead, just as planned.

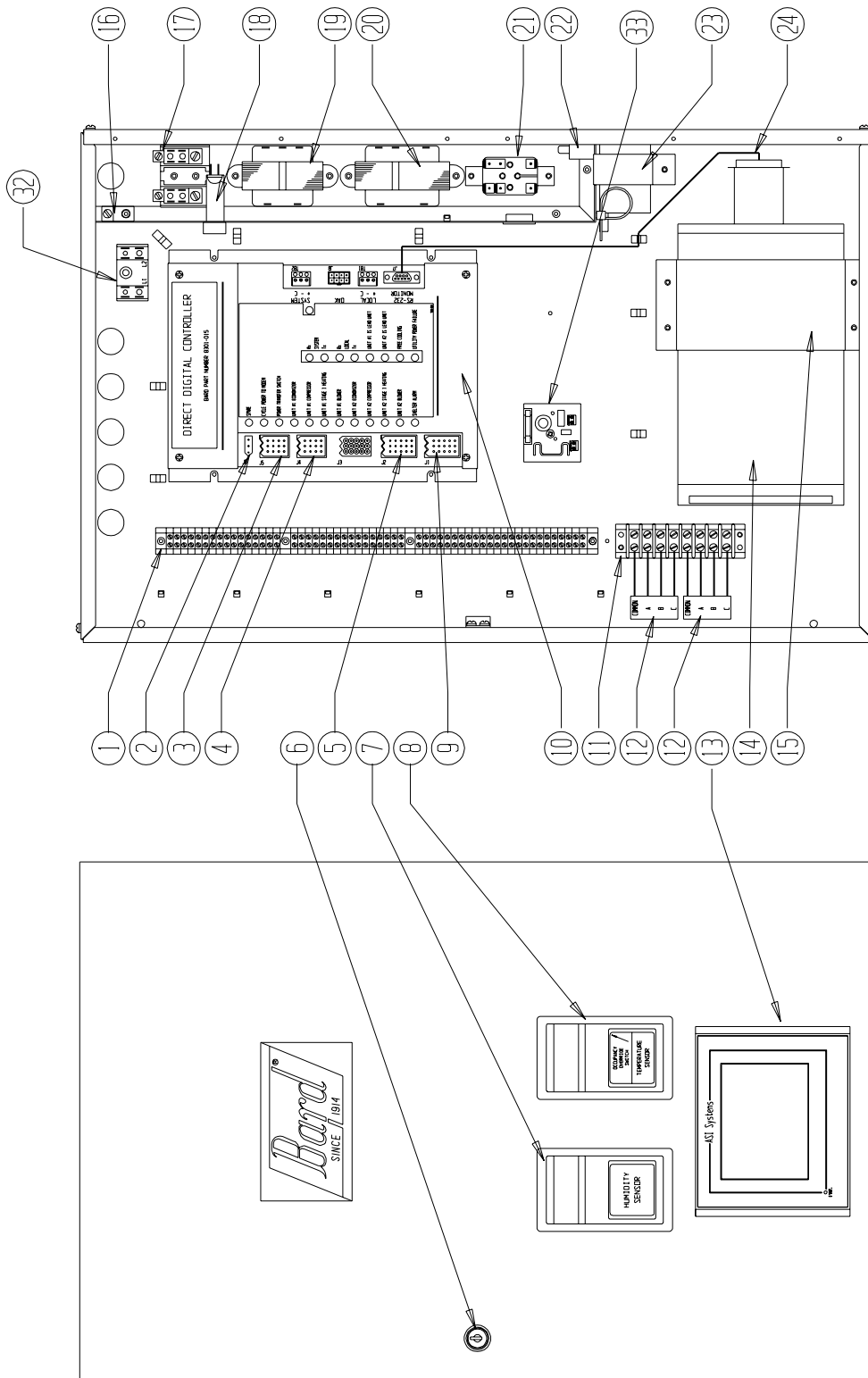
Manual: 2110-1116
Supersedes: **NEW**
File: Tab 19
Date: 01-11-11

FUNCTIONAL COMPONENTS



SEXP-406 A

TSC24 – CABINET COMPONENTS



SEXP-610

FUNCTIONAL and CABINET COMPONENTS – TSC24

Drawing No.	Part No.	Description	TCS24-XXX	TCS24-XDX	TCS24-XDM	TCS24-XXM	TCS24-HXX	TCS24-HDX	TCS24-HDM	TCS24-HXM	TCS24-XXE	TCS24-XDE	TCS24-HXE	TCS24-HDE
1	8607-023	Terminal Strip	X	X	X	X	X	X	X	X	X	X	X	X
2	3000-1039	Wire Harness #1	X	X	X	X	X	X	X	X	X	X	X	X
3	3000-1035	Wire Harness #2	X	X	X	X	X	X	X	X	X	X	X	X
4	3000-1036	Wire Harness #3	X	X	X	X	X	X	X	X	X	X	X	X
5	3000-1037	Wire Harness #4	X	X	X	X	X	X	X	X	X	X	X	X
6	1171-034	Keylatch	X	X	X	X	X	X	X	X	X	X	X	X
7	8301-020	Indoor Humidity Sensor					X	X	X	X			X	X
8	8301-017	Indoor temperature Sensor	X	X	X	X	X	X	X	X	X	X	X	X
9	3000-1038	Wire Harness #5	X	X	X	X	X	X	X	X	X	X	X	X
10	S8301-015-***	Controller ①	X	X	X	X	X	X	X	X	X	X	X	X
11	8607-006	Terminal Strip	X	X	X	X	X	X	X	X	X	X	X	X
12	8301-021	Resistor Network	2	2	2	2	2	2	2	2	2	2	2	2
13	S8301-040-***	Display & Keypad ①		X	X			X	X			X		X
14	8301-036	Modem			X	X			X	X				
14	8301-034	Etherlink									X	X	X	X
15	112-223	Modem Bracket			X	X			X	X				
16	8611-006	Ground Lug	X	X	X	X	X	X	X	X	X	X	X	X
17	8607-013	Terminal Block	X	X	X	X	X	X	X	X	X	X	X	X
18	8614-036	Circuit Breaker	X	X	X	X	X	X	X	X	X	X	X	X
19	8407-041	Transformer #1 120/208/240 x 24, 40VA	X	X	X	X	X	X	X	X	X	X	X	X
20	8407-043	Transformer #2 208/240/480 x 115, 60VA									X	X	X	X
21	8201-062	Relay									X	X	X	X
22	8611-093	Receptacle									X	X	X	X
23	112-224	Power Supply Bracket									X	X	X	X
24	8301-029	Null Modem Cable									X	X	X	X
25	133-169-X	Cover without DAK	X			X	X			X	X		X	
25	133-206-X	Cover with DAK		X	X			X	X			X		X
26	101-401-X	Side	X	X	X	X	X	X	X	X	X	X	X	X
27	127-320-X	Base	X	X	X	X	X	X	X	X	X	X	X	X
28	116-180	High Voltage Partition	X	X	X	X	X	X	X	X	X	X	X	X
29	105-1120-X	Base Rail	2	2	2	2	2	2	2	2	2	2	2	2
31	112-222	Manual Retainer	X	X	X	X	X	X	X	X	X	X	X	X
32	8607-017	Terminal Block	X	X	X	X	X	X	X	X	X	X	X	X
33	8301-033	Power Supply 24VAC	X	X	X	X	X	X	X	X	X	X	X	X
NS	8301-019	Outdoor Humidity Sensor	X	X	X	X	X	X	X	X	X	X	X	X
NS	8301-018	Outdoor Temperature Sensor	X	X	X	X	X	X	X	X	X	X	X	X
NS	4093-153	Wiring Diagram	X	X	X	X	X	X	X	X	X	X	X	X

① The last three numbers of the controller or display & keypad part number will be the same as the last three numbers of the TCS24 model number.

For example: TCS24-XDM-002 = S8301-015-002 or TCS24-XDM-002 = S8301-040-002