
REPLACEMENT PARTS MANUAL

WALL MOUNTED GAS/ELECTRIC ECONOMIZER

Model: **WGJIFM-3C**
WGJIFM-5C

General Notes

- Revised and/or additional pages may be issued from time to time.
- A complete and current manual consists of pages shown in the following contents section.

Important

- Contact the installing and/or local Bard distributor for all parts requirements. Make sure you have the complete model and serial number available from the unit rating plates.

Contents

Description	Page
Cabinet Components	
♦ Exploded View	2
♦ Usage List	2
Functional Components	WGJIFM
♦ Exploded View	3
♦ Usage List	3



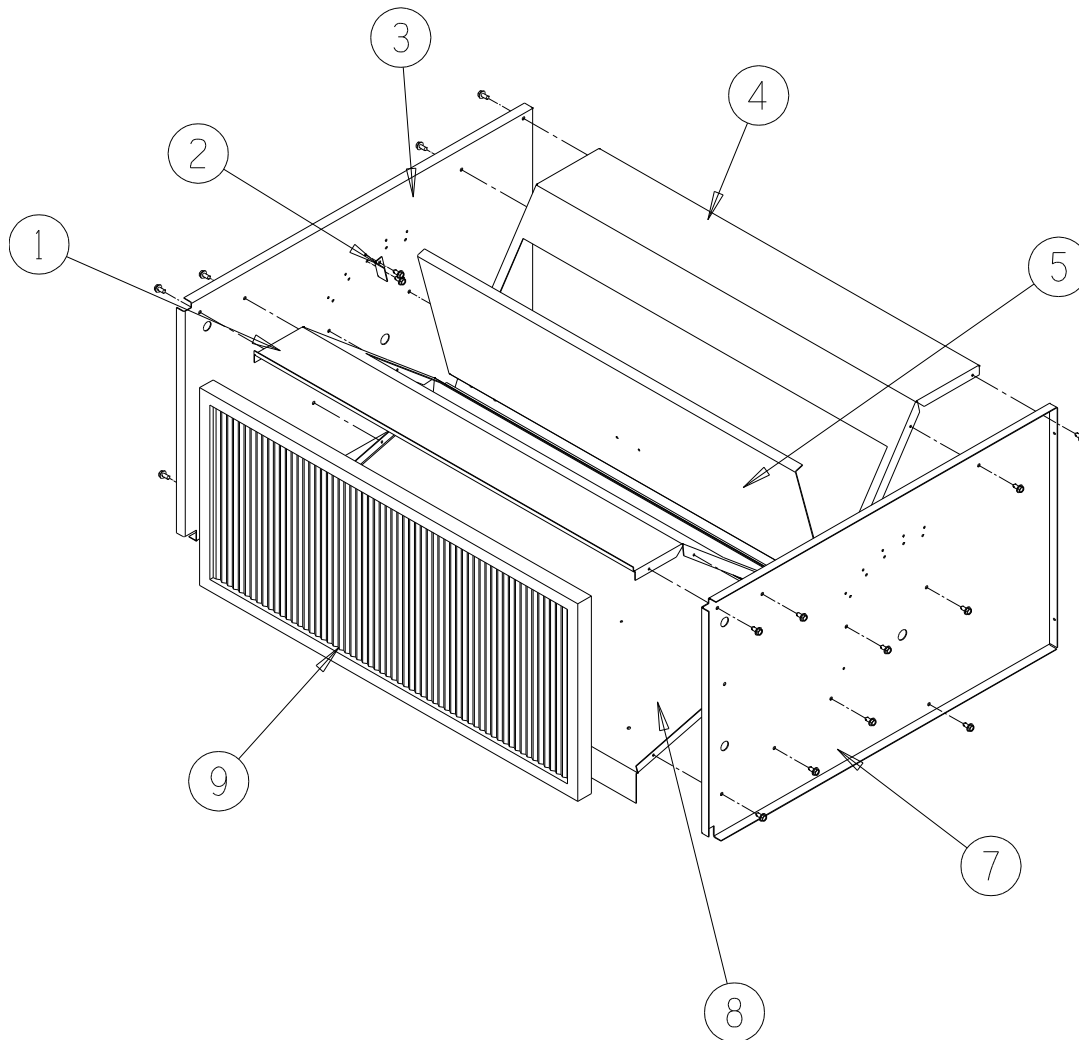
Climate Control Solutions

Bard Manufacturing Company, Inc.
Bryan, Ohio 43506

Since 1914...Moving ahead, just as planned.

Manual: 2110-1118
Supersedes: **NEW**
File: Tab 19
Date: 10-09-13

CABINET COMPONENTS

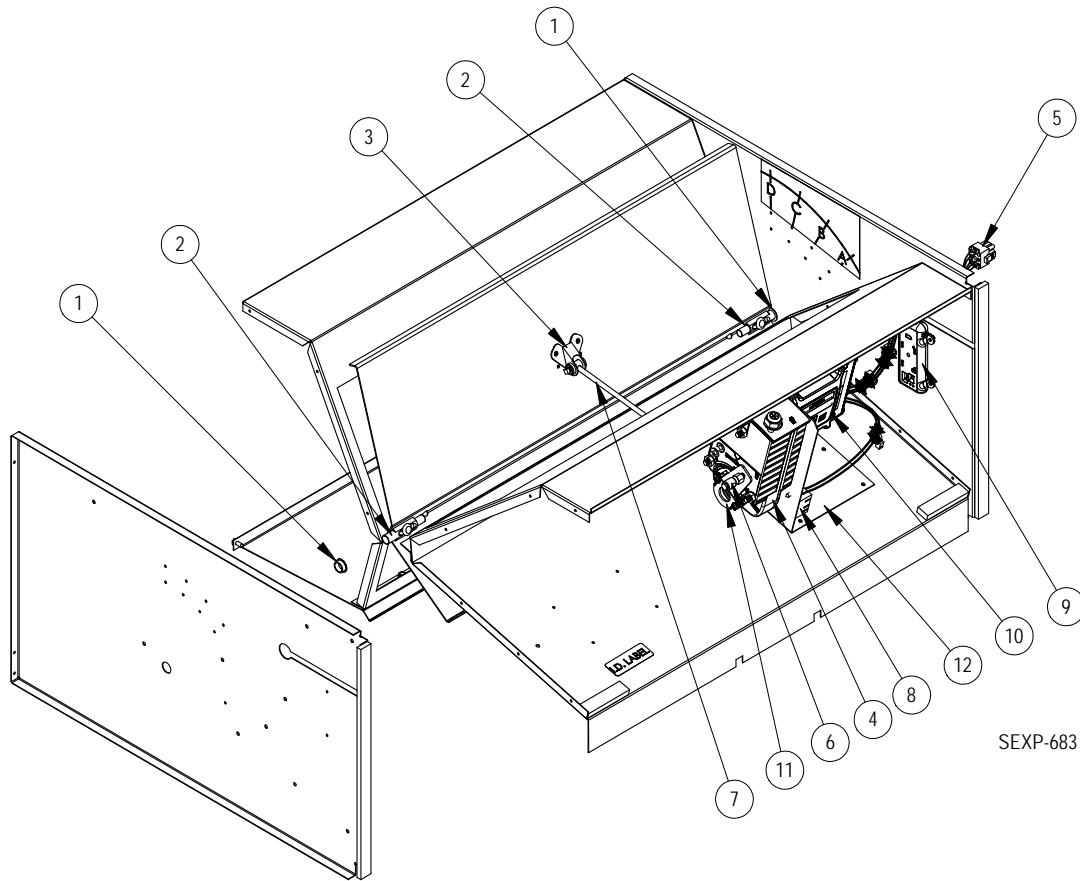


SEXP-358

Drawing No.	Part No.	Description	WGJFM-3C	Part No.	Description	WGJFM-5C
1	S137-457A	Front Fill	X	S137-442	Front Fill	X
3	S101Y402	Left Side	X	S101Y783	Left Side	X
4	S137-458	Rear Fill	X	S137-464	Rear Fill	X
5	S139-162	Damper Blade	X	S139-139	Damper Blade	X
7	S101X402	Right Side	X	S101X783	Right Side	X
8	S127-322	Base	X	S127-303	Base	X
9	7003-058	Mist Eliminator	X	7003-054	Mist Eliminator	X
NS	136-459	Bottom Fill	X	136-465	Bottom Fill	X

NS = Not Shown

FUNCTIONAL COMPONENTS



SEXP-683

Dwg. No.	Part Number	Description	WGJIFM-3C	WGJIFM-5C
1	8302-052	Bushing	2	2
2	8602-038	Damper Blade Pin	2	2
3	8602-040	Bracket	X	X
4	8602-059	Damper Motor	X	X
5	3000-1429	Wire Assembly	X	X
6	8602-008	Ball Joint	X	X
7	8602-044	Rod	X	
7	8602-054	Rod		X
8	8201-130	Relay	X	X
9	8602-063	Enthalpy Sensor	X	X
10	8602-056-003A	Logic Module	X	X
11	8602-068	Crank Arm	X	X
12	113-482	Motor Bracket	X	X
NS	8602-058	Thermistor	X	X
NS	112-290	Thermistor Bracket	X	X

NS = Not Shown