
Replacement Parts Manual

Blower Coil Unit

Model: SBC036B

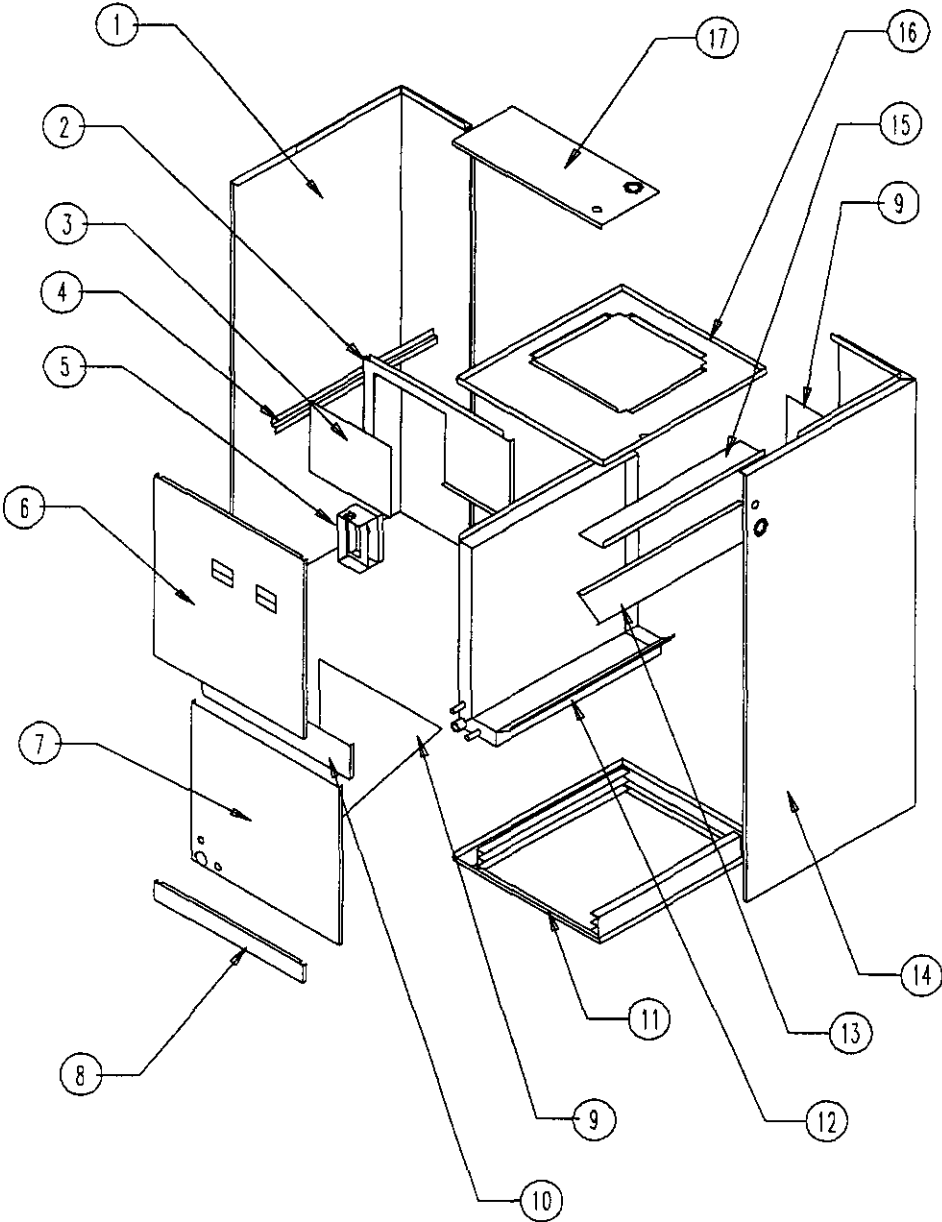
General Notes

- Revised and/or additional pages may be issued from time to time.
- A complete and current manual consists of pages shown in the following contents section.

Contents

Description	Page
Cabinet Components	
◆ Exploded View	1
◆ Usage List	2
Functional Components	
◆ Exploded View	3
◆ Usage List	4

Cabinet Components

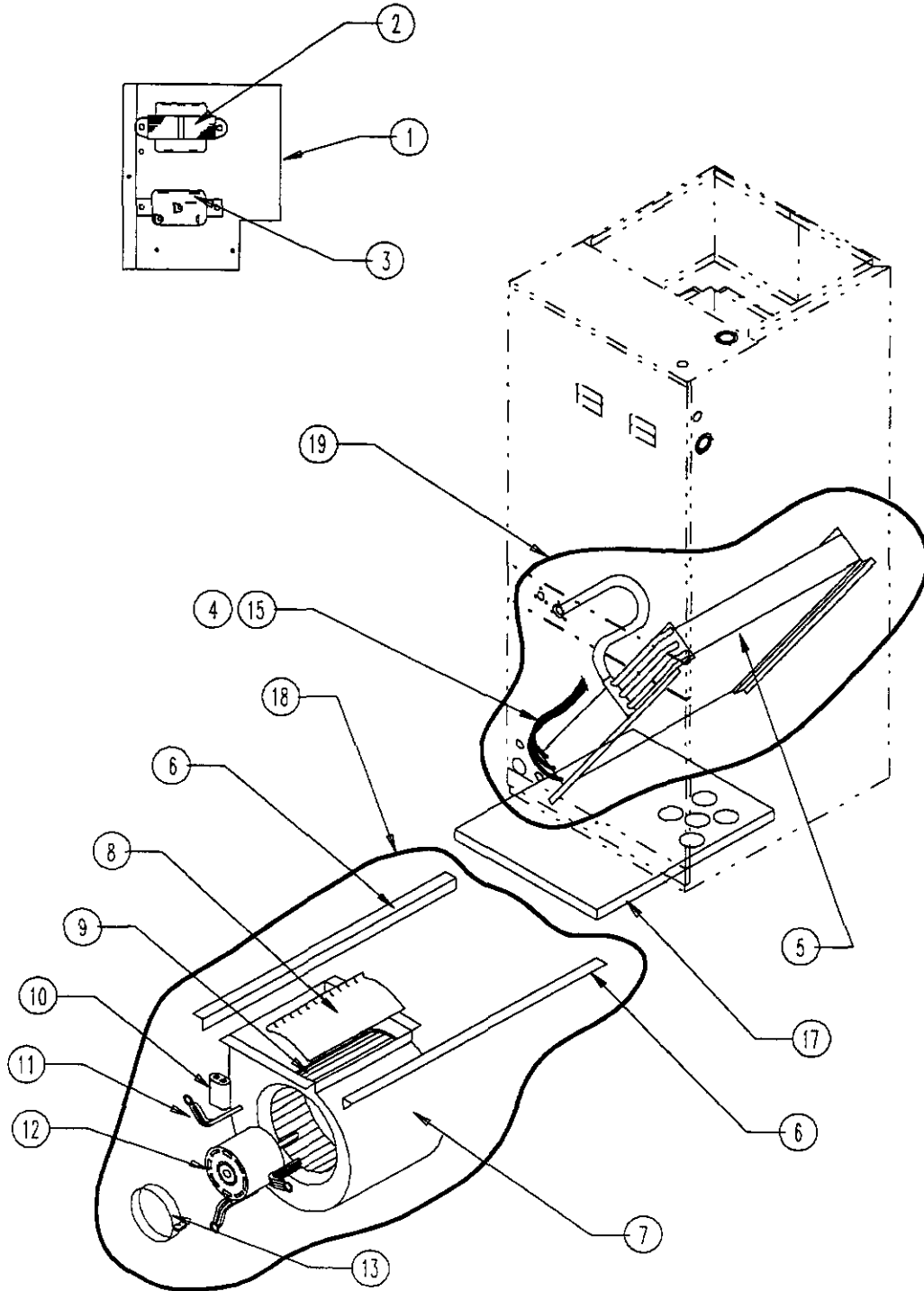


SEXP-039

Cabinet Components

Drawing No.	Part No.	Description	SBC036B
1	500-336	Left Side	X
2	120-295	Partition	X
3	136-141	Block Off Plate	X
4	102-392	Coil Assembly Support (Left Side)	X
5	116-118	Control Panel	X
6	552-284	Upper Door	X
7	552-285	Lower Door	X
8	552-286	Filter Door	X
9	136-139	Coil Support	X
10	540-236	Tubing Entrance Panel	X
11	127-154	Lower Base Assembly	X
12	123-071	Water Pan Assembly	X
13	136-140	Top Coil Assembly	X
14	500-337	Right Side	X
15	140-147	Coil Assembly Support (Right Side)	X
16	126-155	Blower Base	X
17	507-194	Top Assembly	X

Functional Components



SEXP-242

Functional Components

Drawing No.	Part No.	Description	SAC036B
1	8607-019	Terminal Strip	X
2	8407-047	Transformer 75VA	X
3	8201-009	Blower Relay	X
4	5625-007	Distributor	X
5	5060-081	Evaporator Coil	X
6	104-813	Blower Angle	2
7	151-087	Blower Housing Assembly	X
8	144-128	Blower Diffuser	X
9	5152-014	Blower Wheel 10 x 9	X
10	8552-025	Capacitor 7-1/2 / 440V	X
11	8200-034	Motor Mount Arm	3
12	8105-022	Motor 1/3 HP 230V	X
13	8200-033	Motor Mount Band	X
15	5651-140	Expansion Valve	X
17	7004-010	Filter 16 x 20 x 1	X
18	900-147	Complete Blower Assembly	X
19	600-0038	Complete Coil Assembly W/Drain Pan	X
NS	4088-800	Wiring Diagram	X

NS – Not Shown

