
Replacement Parts Manual

Blower Coil Unit

Model: SBC036B

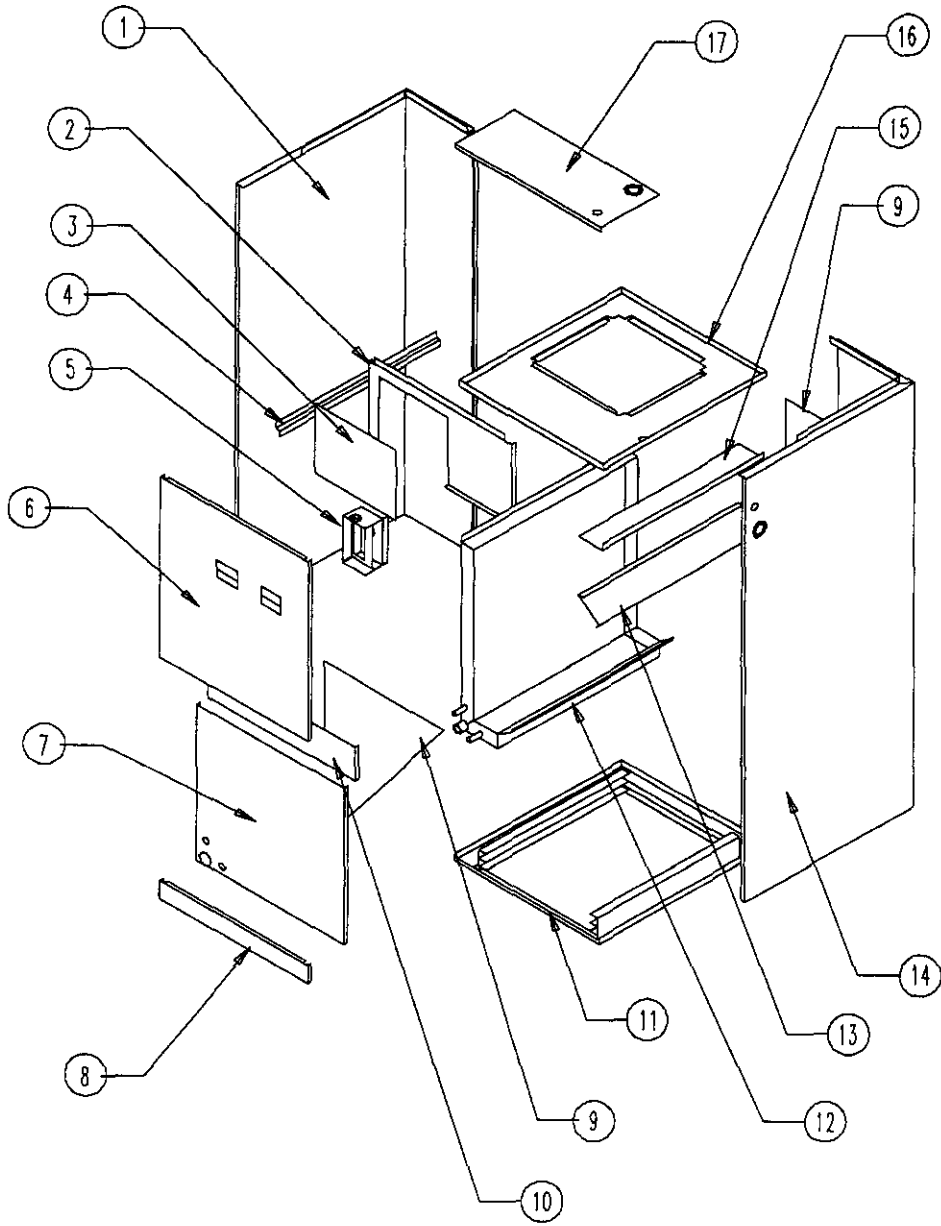
General Notes

- Revised and/or additional pages may be issued from time to time.
- A complete and current manual consists of pages shown in the following contents section.

Contents

Description	Page
Cabinet Components	
♦ Exploded View	1
♦ Usage List	2
Functional Components	
♦ Exploded View	3
♦ Usage List	4

Cabinet Components

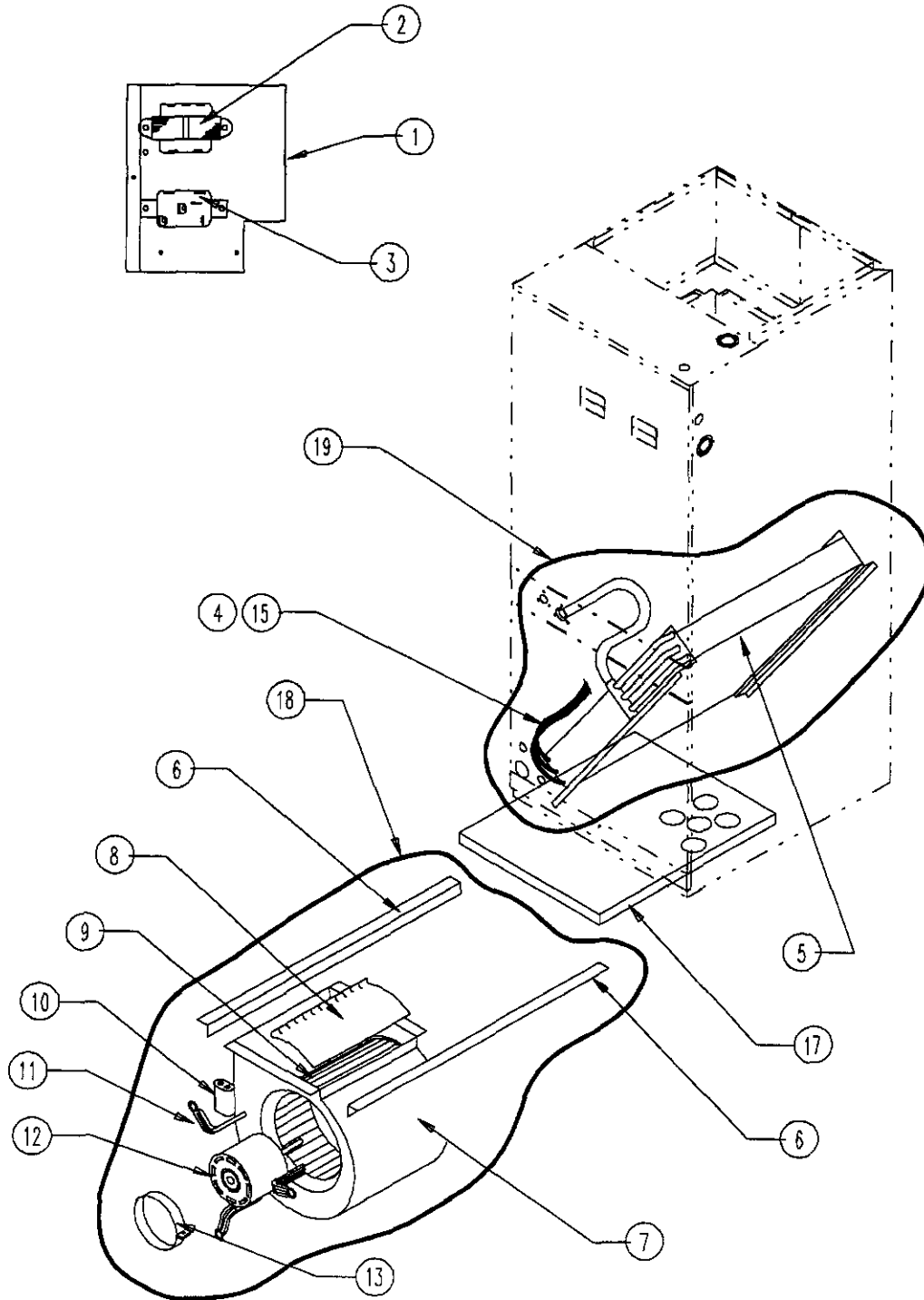


SEXP-039

Cabinet Components

			SBC036B
Drawing No.	Part No.	Description	
1	500-216	Left Side	•
2	120-295	Partition	•
3	136-141	Block Off Plate	•
4	102-392	Coil Assembly Support (Left Side)	•
5	116-118	Control Panel	•
6	552-159	Upper Door	•
7	552-191	Lower Door	•
8	552-161	Filter Door	•
9	136-139	Coil Support	•
10	540-233	Tubing Entrance Panel	•
11	127-154	Lower Base Assembly	•
12	123-071	Water Pan Assembly	•
13	136-140	Top Coil Assembly	•
14	500-312	Right Side	•
15	140-147	Coil Assembly Support (Right Side)	•
16	126-155	Blower Base	•
17	507-172	Top Assembly	•

Functional Components



SEXP-242

Drawing			SBC036B
No.	Part No.	Description	
1	8607-019	Terminal Strip	•
2	8407-047	Transformer 75VA	•
3	8201-009	Blower Relay	•
4	5625-007	Distributor	•
5	5060-081	Evaporator Coil	•
6	104-813	Blower Angle	2
7	151-087	Blower Housing Assembly	•
8	144-128	Blower Diffuser	•
9	5152-014	Blower Wheel 10 x 9	•
10	8552-025	Capacitor 7-1/2 / 440V	•
11	8200-034	Motor Mount Arm	3
12	8105-022	Motor 1/3 HP 230V	•
13	8200-033	Motor Mount Band	•
15	5651-140	Expansion Valve	•
17	7004-010	Filter 16 x 20 x 1	•
18	900-147	Complete Blower Assembly	•
19	600-0038	Complete Coil Assembly W/Drain Pan	•
NS	4088-800	Wiring Diagram	•

NS – Not Shown

