
REPLACEMENT PARTS MANUAL

ECONOMIZER

MODEL:
JIFM-1A

General Notes

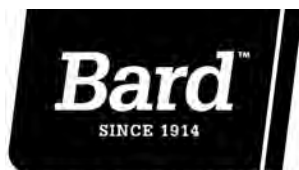
- Revised and/or additional pages may be issued from time to time.
- A complete and current manual consists of pages shown in the following contents section.

Contents

| Description | Page |
|----------------------------------|------|
| Funtional and Cabinet Components | |
| ♦ Exploded View..... | 2 |
| ♦ Usage List | 3 |

Important

- Contact the installing and/or local Bard distributor for all parts requirements. Make sure you have the complete model and serial number available from the unit rating plates.

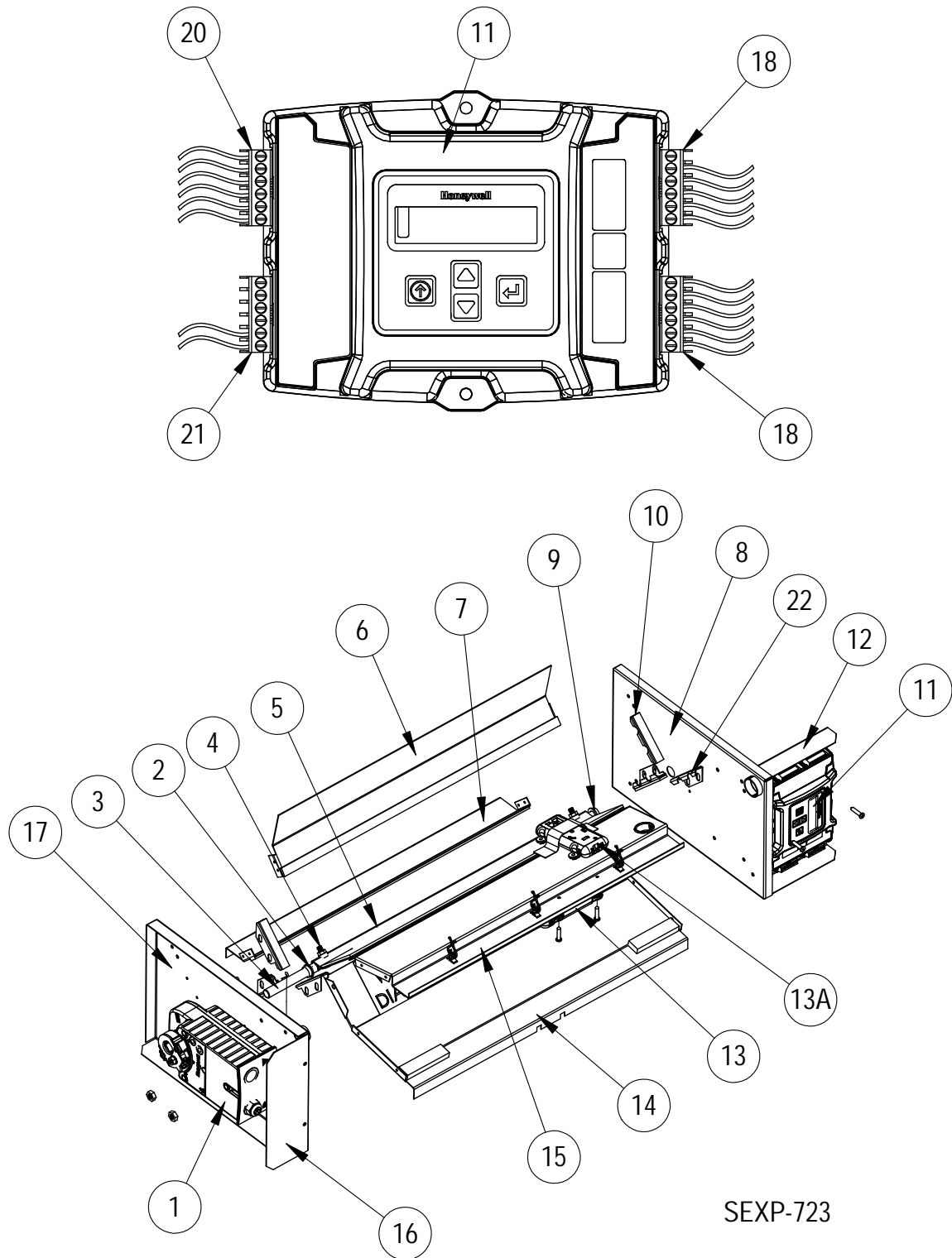


Climate Control Solutions

Bard Manufacturing Company, Inc.
Bryan, Ohio 43506
Since 1914...Moving ahead, just as planned.

Manual: 2110-1120
Supersedes: **NEW**
File Tab 19
Date: 05-27-14

ECONOMIZER & CONTROL



ECONOMIZER & CONTROL

| Drawing No. | Part No. | Description | JIFM-1A |
|-------------|-----------------|--------------------------------|---------|
| 1 | 8602-059 | Direct Coupled Actuator | X |
| 2 | 8602-052 | 1/2" I.D. Bronze Bushing | X |
| 3 | 8602-060 | Drive Pin 1/2" | X |
| 4 | 8602-038 | Damper Pin with Hardware | 2 |
| 5 | S139-269 | Damper Blade | X |
| 6 | 105-1345 | Rear Upper Partition | 2 |
| 7 | 137-637 | Rear Lower Partition | 2 |
| 8 | S101-875 | Right Side | X |
| 9 | 8602-039 | Bronze Bushing | X |
| 10 | S105Y1254 | Left Economizer Angle | 3 |
| 11 | S8602-056-0003A | Economizer Module - Programmed | X |
| 12 | 137-754 | Right Fill Plate | X |
| 13 | 8602-063 | Enthalpy Sensor - Outdoor Air | X |
| 13A | 8602-058 | Temperature Sensor - Mixed Air | X |
| 14 | 127-415 | Lower Partition/Base | X |
| 15 | 137-640 | Upper Partition | X |
| 16 | 136-638 | Left Fill Plate | X |
| 17 | S101-874 | Left Side | X |
| 18 | 3000-1464 | Wire Harness | X |
| 20 | 3000-1434 | Wire Harness | X |
| 21 | 3000-1435 | Wire Harness | X |
| 22 | S105X1254 | Right Economizer Angle | 3 |
| NS | 7003-068 | Mist Eliminator | X |
| NS | 4056-220 | Wiring Diagram | X |