
REPLACEMENT PARTS MANUAL

ECONOMIZER

Models:

EWM2-T*, EWM2-E*
EWM3-T*, EWM3-E*
EWM5-T*, EWM5-E*

General Notes

- Revised and/or additional pages may be issued from time to time.
- A complete and current manual consists of pages shown in the following contents section.

Important

- Contact the installing and/or local distributor for all parts requirements. Make sure you have the complete model and serial number available from the unit rating plates.

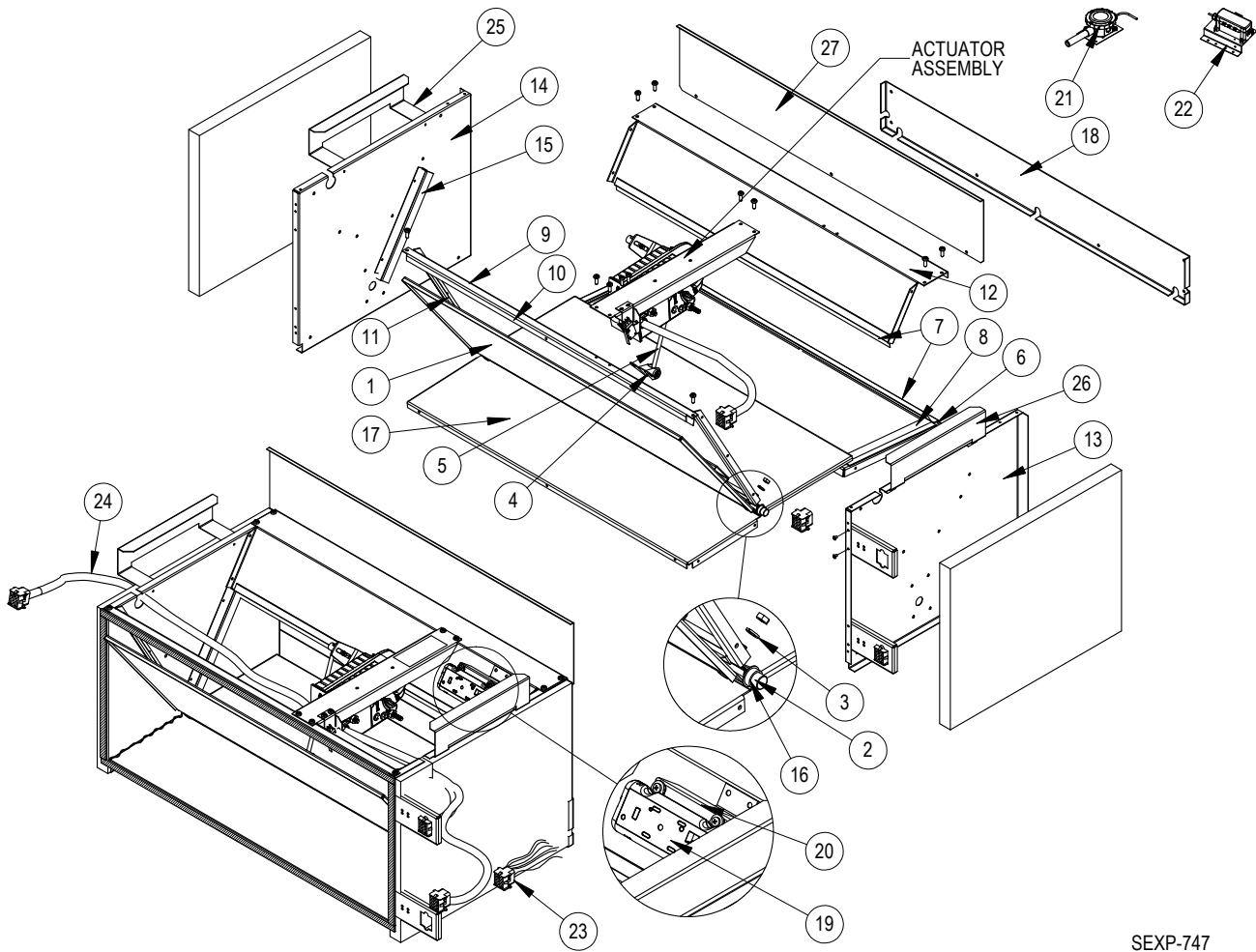
Contents

Description	Page
EWM2-T*, EWM2-E* EWM3-T*, EWM3-E* Economizer	
♦ Exploded View	2
♦ Usage List	3
EWM5-T*, EWM5-E* Economizer	
♦ Exploded View	4
♦ Usage List	5
Control Panel Assembly	
♦ Exploded View	6
♦ Usage List	7
Actuator Assembly	
♦ Exploded View	8
♦ Usage List	9
Economizer Air Hood	
♦ Exploded View	10
♦ Usage List	11
♦ Usage List	12

BMC, Inc.
Bryan, Ohio 43506

Manual: 2110-1122
Supersedes: **NEW**
Date: 10-09-14

EWM2-T*, EWM2-E*, EWM3-T*, EWM3-E* ECONOMIZER

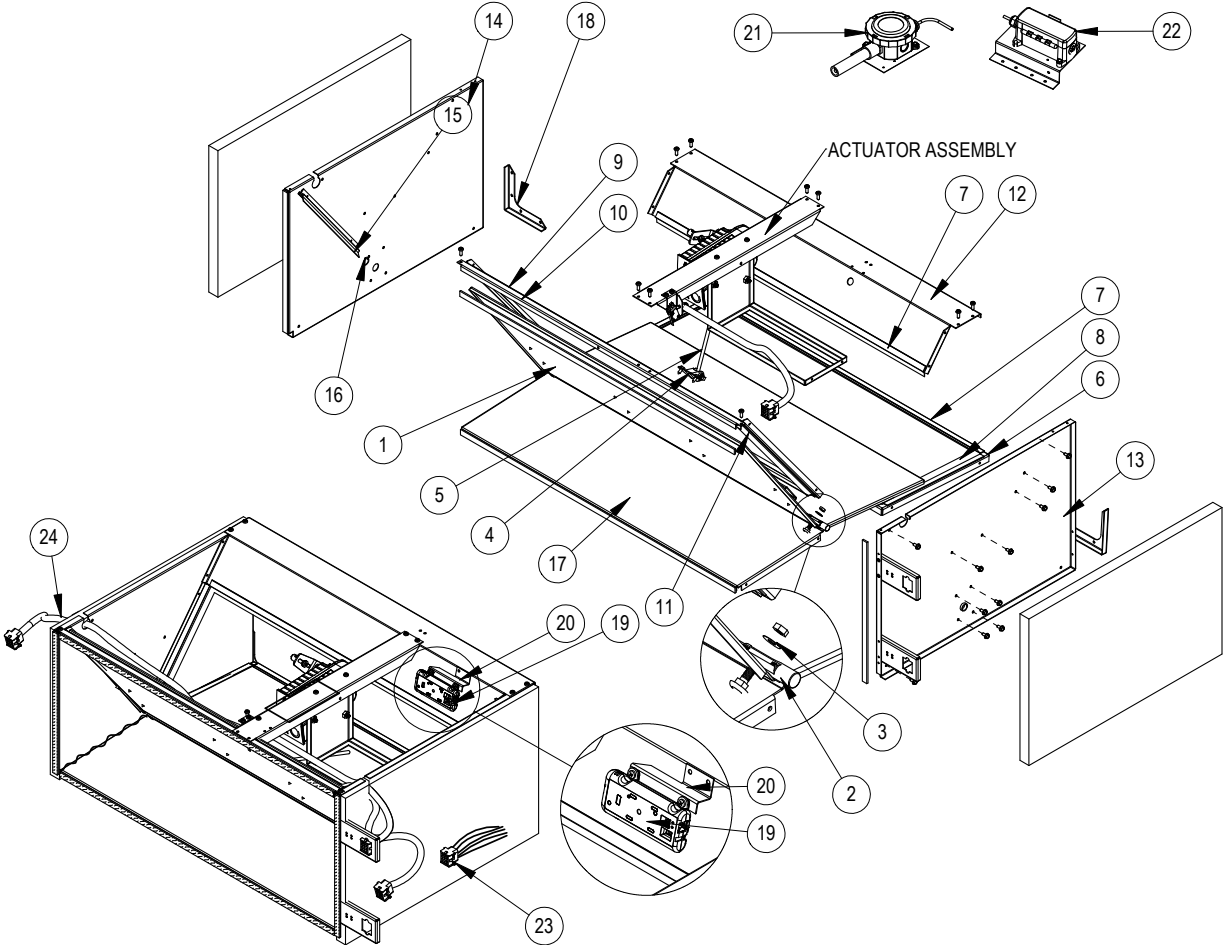


ECONOMIZER

Drawing No.	Part No.	Description	EWM2-T*	EWM2-E*	EWM3-T*	EWM3-E*
1	S139-325	Blade Assembly	X	X		
1	S139-324	Blade Assembly			X	X
2	8602-038	DBP-1 Damper Pin with Bolt, Washer and Nut	2	2	2	2
3	1012-126	1/4" Type "A" Washer	2	2	2	2
4	8602-040	BKP-24 Bracket with Rod Connector and Set Screw	X	X	X	X
5	8602-044	1/4" x 7-1/2" Rod	X	X	X	X
6	137-744	Lower Rear Partition	X	X		
6	137-740	Lower Rear Partition			X	X
7	S1921-067-2010	Damper Blade Seal	3	3		
7	S1921-067-2510	Damper Blade Seal			3	3
8	S1921-067-0802	Damper Blade Seal	2	2	2	2
9	137-741	Upper Front Partition	X	X		
9	137-737	Upper Front Partition			X	X
10	S1921-067-2006	Damper Blade Seal	2	2		
10	S1921-067-2506	Damper Blade Seal			2	2
11	S1921-067-1004	Damper Blade Seal	2	2	2	2
12	137-743	Upper Rear Partition	X	X		
12	137-739	Upper Rear Partition			X	X
13	S101X869	Right Side Assembly, Insulated with Plug Brackets	X	X	X	X
14	S101Y869	Left Side Assembly, Insulated	X	X	X	X
15	S1921-067-0800	Damper Blade Seal	2	2	2	2
16	8602-052	1/2" I.D. Bronze Bushing	2	2	2	2
17	137-742	Lower Front Partition	X	X		
17	137-738	Lower Front Partition			X	X
18	137-747	Lower Rear Fill	2	2		
18	137-745	Lower Rear Fill			2	2
19	8602-058	Mixed Air Temperature Sensor, 20K	X	X	X	X
20	113-433	Sensor Bracket	X	X	X	X
21	910-1898	Outdoor Temperature Sensor Assembly	X		X	
22	910-1915	Outdoor Enthalpy Sensor Assembly		X		X
23	3000-1456	Wire Assembly, Connection to Unit Low Voltage	X	X	X	X
24	3000-1461	Wire Assembly, "L" Model Left Hand Units Only	X	X	X	X
25	113-542	Long Filter Bracket	X	X	X	X
26	113-543	Short Filter Bracket	X	X	X	X
27	137-748	Upper Rear Fill	X	X		
27	137-746	Upper Rear Fill			X	X
NS	S136-664	Condenser Cover Plate	X	X		
NS	S136-751	Condenser Cover Plate			X	X

NS = Not Shown

EWM5-T*, EWM5-E* ECONOMIZER



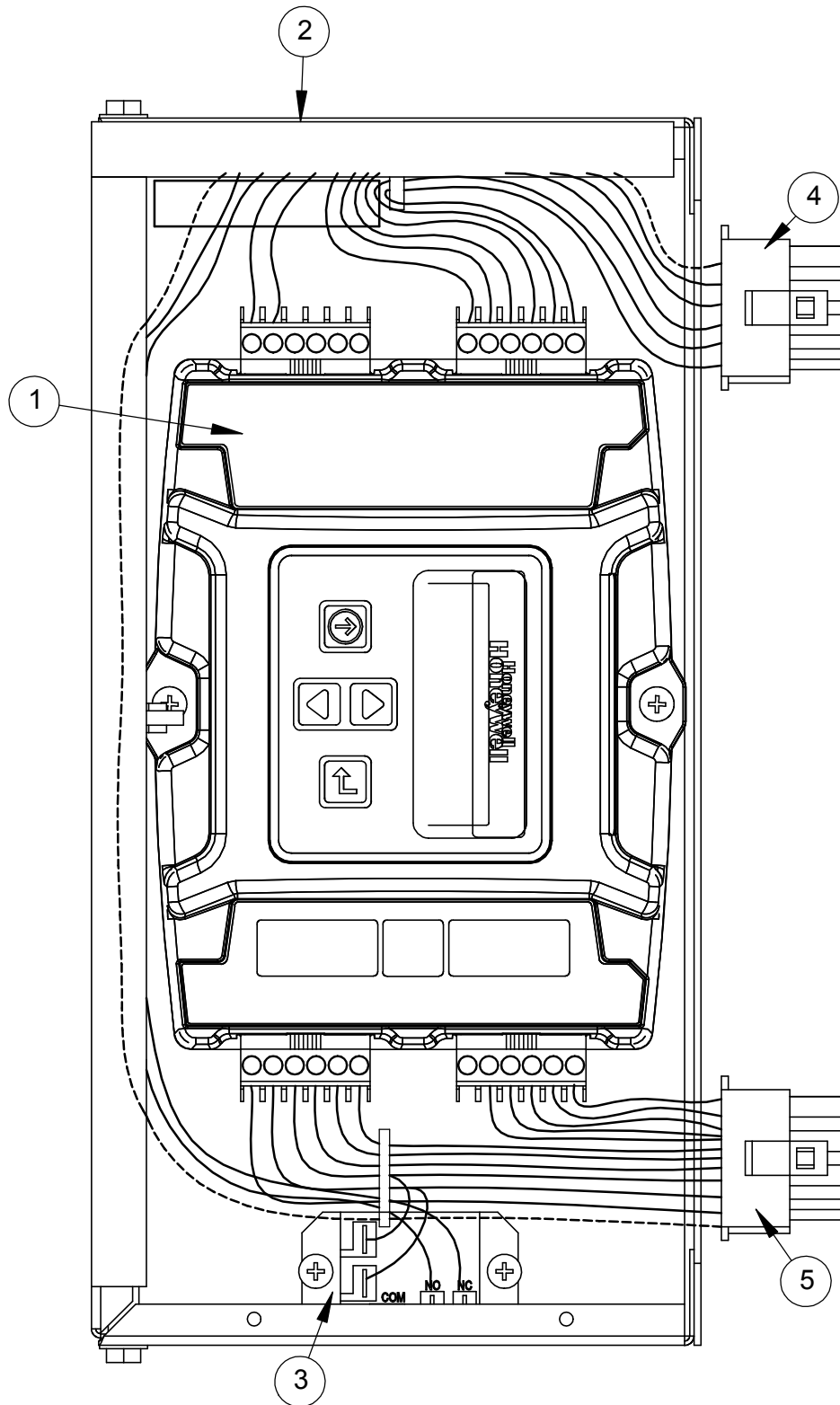
SEXP-746

ECONOMIZER

Drawing No.	Part No.	Description	EWM5-T*	EWM5-E*
1	S139-323	Blade Assembly	X	X
2	8602-038	DBP-1 Damper Pin with Bolt, Washer and Nut	2	2
3	1012-126	1/4" Type "A" Washer	2	2
4	8602-040	BKP-24 Bracket	X	X
5	8602-077	1/4" x 9" Rod	X	X
6	137-736	Lower Rear Partition	X	X
7	S1921-067-2906	Damper Blade Seal	3	3
8	S1921-067-1011	Damper Blade Seal	2	2
9	137-733	Upper Front Partition	X	X
10	S1921-067-2909	Damper Blade Seal	2	2
11	S1921-067-1300	Damper Blade Seal	2	2
12	137-735	Upper Rear Partition	X	X
13	S101X852	Right Side Assembly, Insulated with Plug Brackets	X	X
14	S101Y852	Left Side Assembly, Insulated	X	X
15	S1921-067-1007	Damper Blade Seal	2	2
16	8602-052	1/2" I.D. Bronze Bushing	2	2
17	137-734	Lower Front Partition	X	X
18	113-526	Corner Bracket	2	2
19	8602-058	Mixed Air Temperature Sensor, 20K	X	X
20	113-433	Sensor Bracket	X	X
21	910-1898	Outdoor Temperature Sensor Assembly	X	
22	910-1915	Outdoor Enthalpy Sensor Assembly		X
23	3000-1456	Wire Assembly, Connection to Unit Low Voltage	X	X
24	3000-1461	Wire Assembly, "L" Model Left Hand Units Only	X	X
NS	S537-731	Condenser Cover Plate	X	X

NS = Not Shown

CONTROL PANEL ASSEMBLY

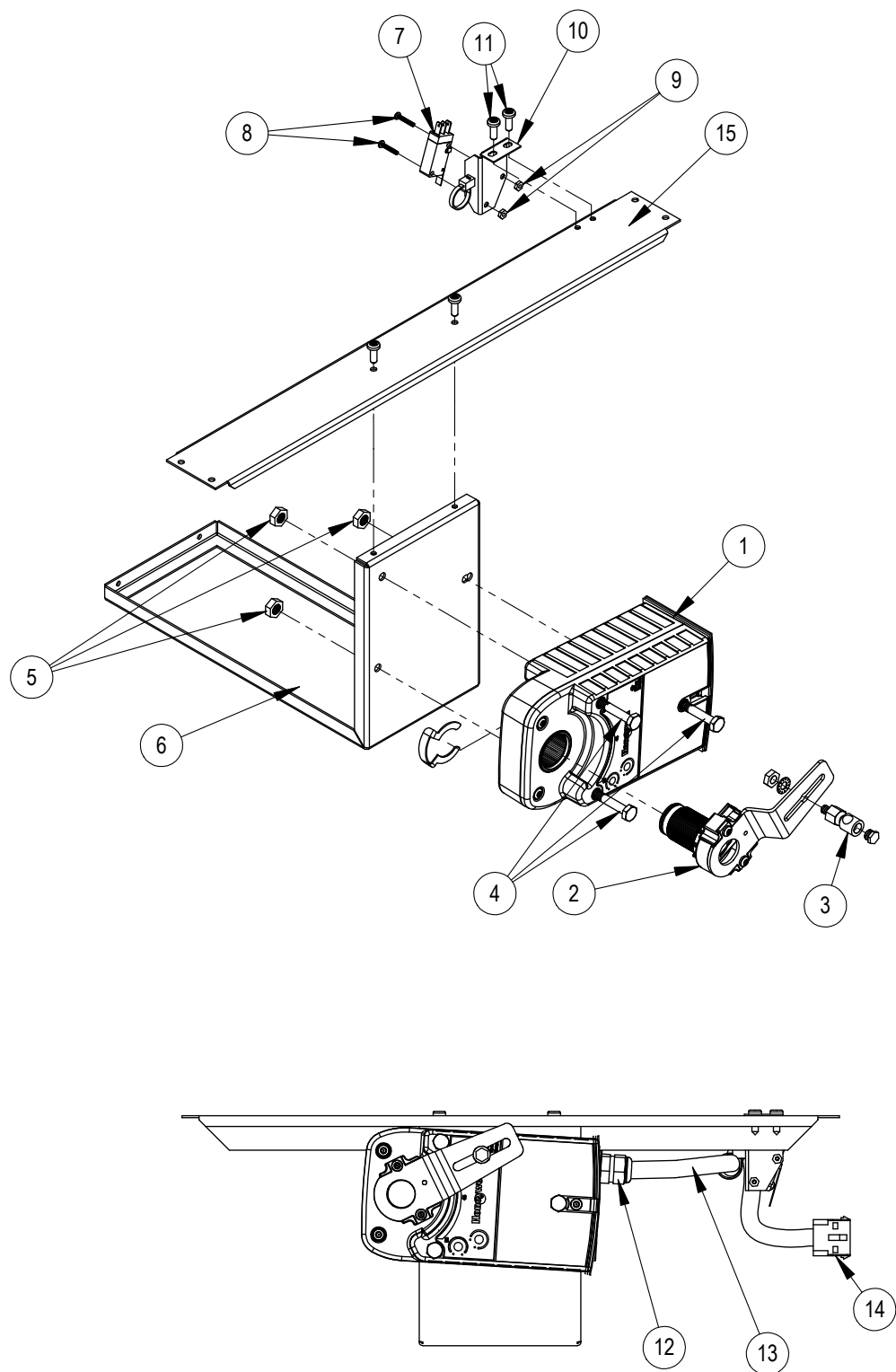


SEXP-749

CONTROL PANEL ASSEMBLY

Drawing No.	Part No.	Description	EWM2-T*	EWM3-T*	EWM5-T*	EWM2-E*	EWM3-E*	EWM5-E*
1	8602-056-0001	Programmed JADE Economizer Module	X	X	X			
1	8602-056-0002	Programmed JADE Economizer Module				X	X	X
2	117-354	Control Panel			X			X
2	117-364	Control Panel	X	X		X	X	
3	8201-130	Relay, SPDT Pilot Duty	X	X	X	X	X	X
4	3000-1457	Wire Assembly	X	X	X			
4	3000-1477	Wire Assembly				X	X	X
5	3000-1455	Wire Assembly	X	X	X	X	X	X

ACTUATOR ASSEMBLY

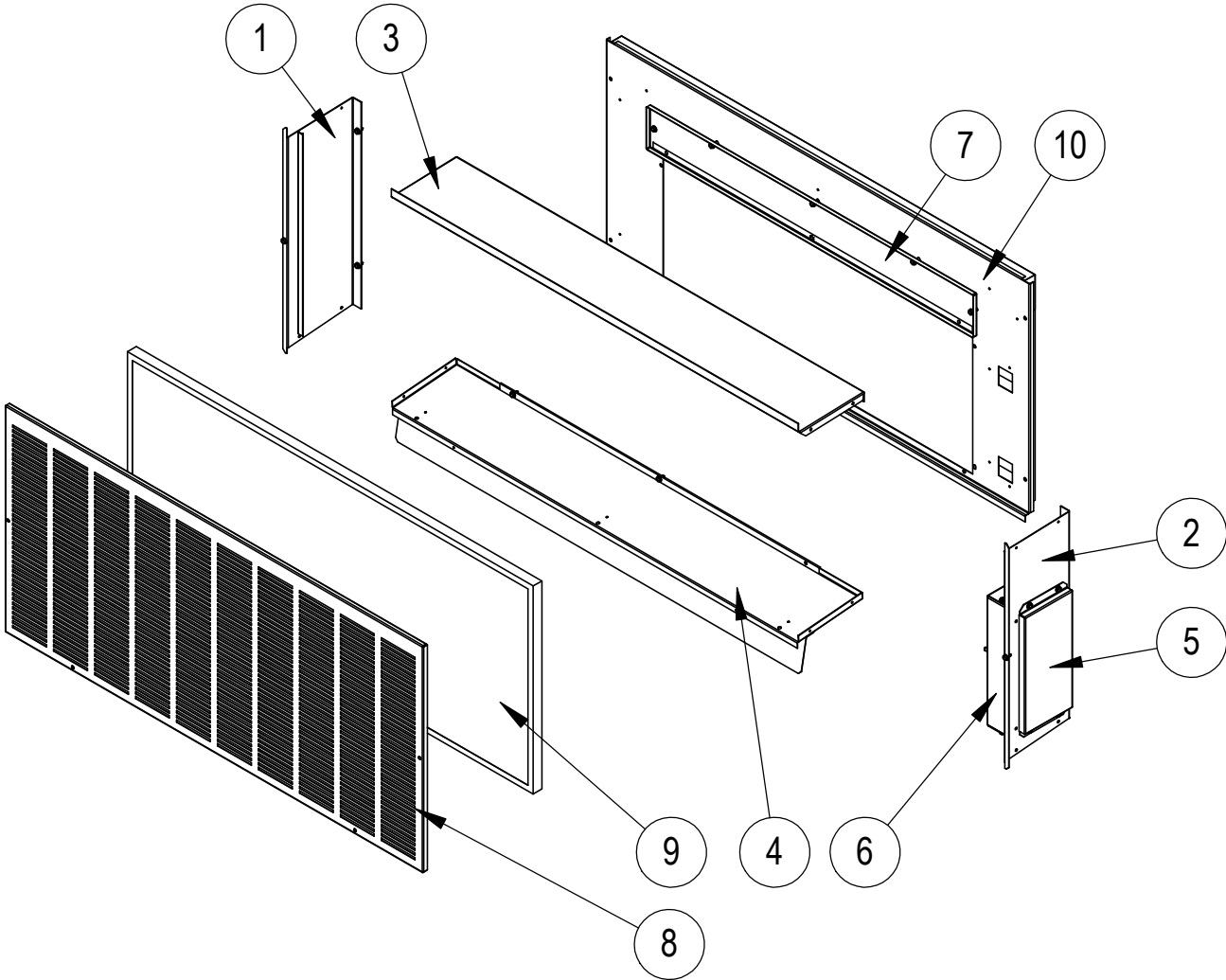


SEXP-748

ACTUATOR ASSEMBLY

Drawing No.	Part No.	Description	EWM2-**	EWM3-**	EWM5-**
1	8602-059	Direct Coupled Actuator - Sylk	X	X	X
2	8602-068	Crank Arm	X	X	X
3	8602-008	Ball Joint	X	X	X
4	1012-174	1/4" - 20, 3-1/4" Long Hex Cap Screw	3	3	3
5	1012-201	1/4" - 20, Steep Keps Hex Nut	3	3	3
6	141-428	Actuator Support Plate			X
6	141-434	Actuator Support Plate	X	X	
7	8406-138	Lever Switch SPDT Sealed Pilot	X	X	X
8	1012-178	4 - 40 x 5/8" Phillips Pan Head Screw	2	2	2
9	1012-231	4 - 40 Steel Hex Nut	2	2	2
10	113-525	Blade Switch Bracket	X	X	X
11	1012-128	10 - 16 x 5/8" Torx Head Screw	8	8	8
12	8611-130	LTF 7 Fitting 3/4" O.D.	X	X	X
13	8611-125-1800	18" of 1/2" Split Tubing	X	X	X
14	3000-1458	Wire Assembly			X
14	3000-1468	Wire Assembly	X	X	
15	141-427	Actuator Support Bar			X
15	141-431	Actuator Support Bar	X	X	

ECONOMIZER AIR HOOD



SEXP-758

This Exploded View is referenced in Tables on pages 11 & 12

ECONOMIZER AIR HOOD

Drawing No.	Part No.	Description	EWM2-**	EWM3-**	EWM5-**
1	S101-872-* ①	Right Side	X	X	
1	S101-883 ②		X	X	
1	S101-881 ③		X	X	
1	S101-859-* ①				X
1	S101-876 ②				X
1	S101-878 ③				X
2	101-873-* ①	Left Side	X	X	
2	S101-884 ②		X	X	
2	S101-882 ③		X	X	
2	S101-860-* ①				X
2	S101-877 ②				X
2	S101-879 ③				X
3	S107-345-* ①	Hood Top	X		
3	S107-355 ②		X		
3	S107-356 ③		X		
3	S107-346-* ①			X	
3	S107-354 ②			X	
3	S107-353 ③			X	
3	S107-344-* ①				X
3	S107-350 ②				X
3	S107-351 ③				X
4	S127-494-* ①	Hood Bottom	X		
4	S127-502 ②		X		
4	S127-503 ③		X		
4	S127-495-* ①			X	
4	S127-501 ②			X	
4	S127-500 ③			X	
4	S127-489-* ①				X
4	S127-498 ②				X
4	S127-499 ③				X
5	S133-262-* ①	Control Panel Cover	X	X	X
5	S133-269 ②		X	X	X
5	S133-270 ③		X	X	X
6	See Page 6	Control Panel Assembly (JADE)	X	X	X
7	S553-613	Filter Door	X		
7	S553-634 ②		X		
7	S553-631 ③		X		
7	S553-611			X	
7	S553-632 ②			X	
7	S553-636 ③			X	
7	S553-641				X
7	S553-643 ②				X
7	S553-627 ③				X

Continued on page 12

- ① Exterior cabinet parts are manufactured with various paint color options. To ensure the proper paint color is received, include the complete model and serial number of the unit for which cabinet parts are being ordered.
- ② Exterior cabinet parts are manufactured from stainless steel Code "S"
- ③ Exterior cabinet parts are manufactured from aluminum Code "A"

ECONOMIZER AIR HOOD

Drawing No.	Part No.	Description	EWM2-**	EWM3-**	EWM5-**
<i>Continued from page 11</i>					
8	115-285-* ①	Hood Front	X		
8	115-292 ②		X		
8	115-293 ③		X		
8	115-284-* ①			X	
8	115-291 ②			X	
8	115-290 ③			X	
8	115-283-* ①				X
8	115-287 ②				X
8	115-288 ③				X
9	7003-067		Mist Filter (31" X 16" X 1")	X	
9	7003-066	Mist Filter (36" X 16" X 1")		X	
9	7003-062	Mist Filter (40" X 18" X 1")			X
10	S553-612-* ①	Hood Mounting Door	X		
10	S553-635 ②		X		
10	S553-630 ③		X		
10	S553-610-* ①			X	
10	S553-633 ②			X	
10	S553-637 ③			X	
10	S553-595-* ①				X
10	S553-626 ②				X
10	S553-627 ③				X

① Exterior cabinet parts are manufactured with various paint color options. To ensure the proper paint color is received, include the complete model and serial number of the unit for which cabinet parts are being ordered.

② Exterior cabinet parts are manufactured from stainless steel Code "S"

③ Exterior cabinet parts are manufactured from aluminum Code "A"