

---

# REPLACEMENT PARTS MANUAL

---

## Barometric Fresh Air Damper (With Exhaust)

Model: FAD-BE5

---

### General Notes

- Revised and/or additional pages may be issued from time to time.
- A complete and current manual consists of pages shown in the following contents section.

### Important

- Contact the installing and/or local Bard distributor for all parts requirements. Make sure to have the complete model and serial number available from the unit rating plates.

### Contents

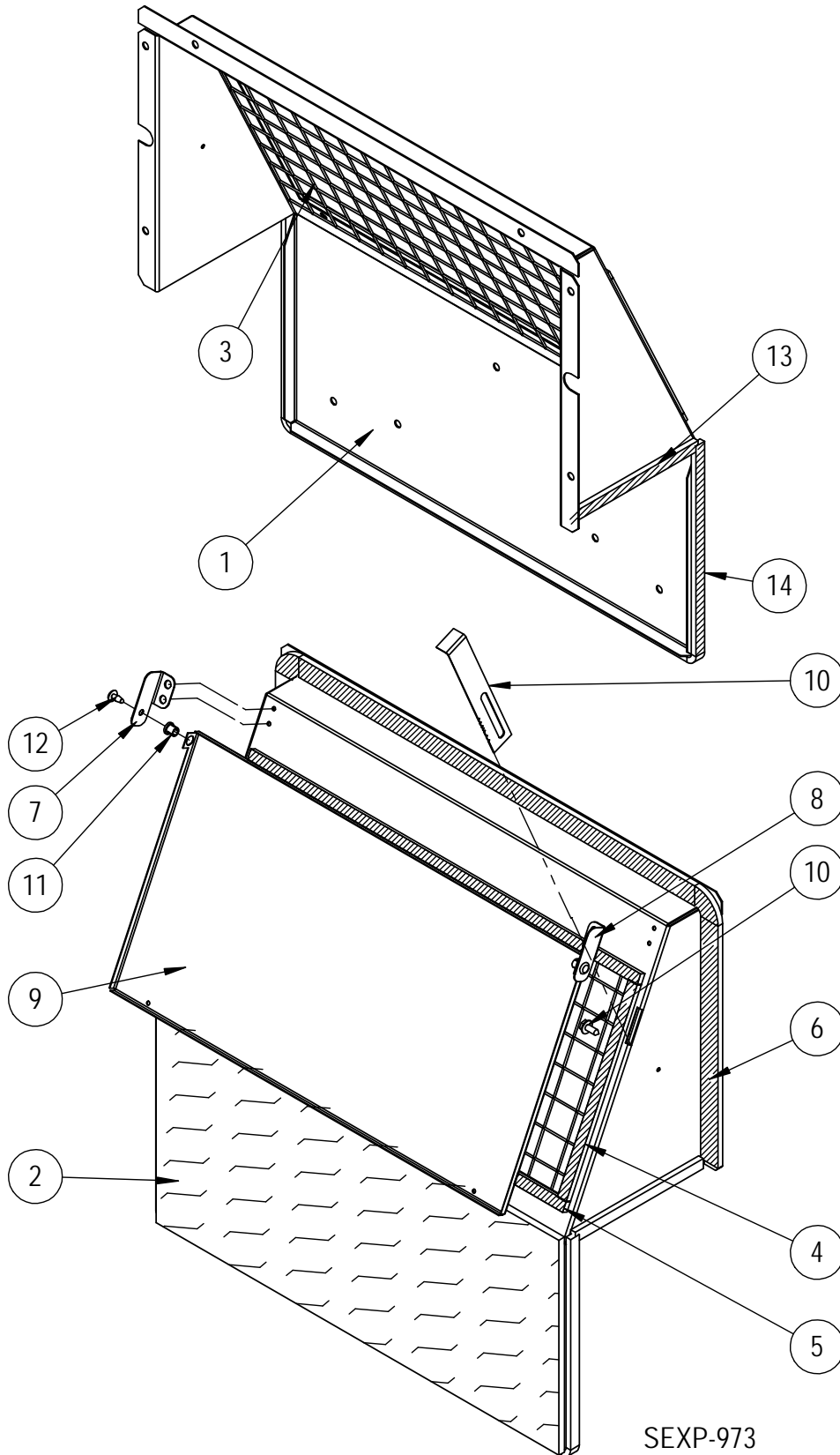
Description	Page
Fresh Air Damper Assembly	
♦ Exploded View .....	2
♦ Usage List .....	3
Barometric Exhaust	
♦ Exploded View .....	4
♦ Usage List .....	5



Bard Manufacturing Company, Inc.  
Bryan, Ohio 43506  
www.bardhvac.com

Manual: 2110-1127  
Supersedes: **NEW**  
Date: 6-13-19

# FRESH AIR DAMPER ASSEMBLY



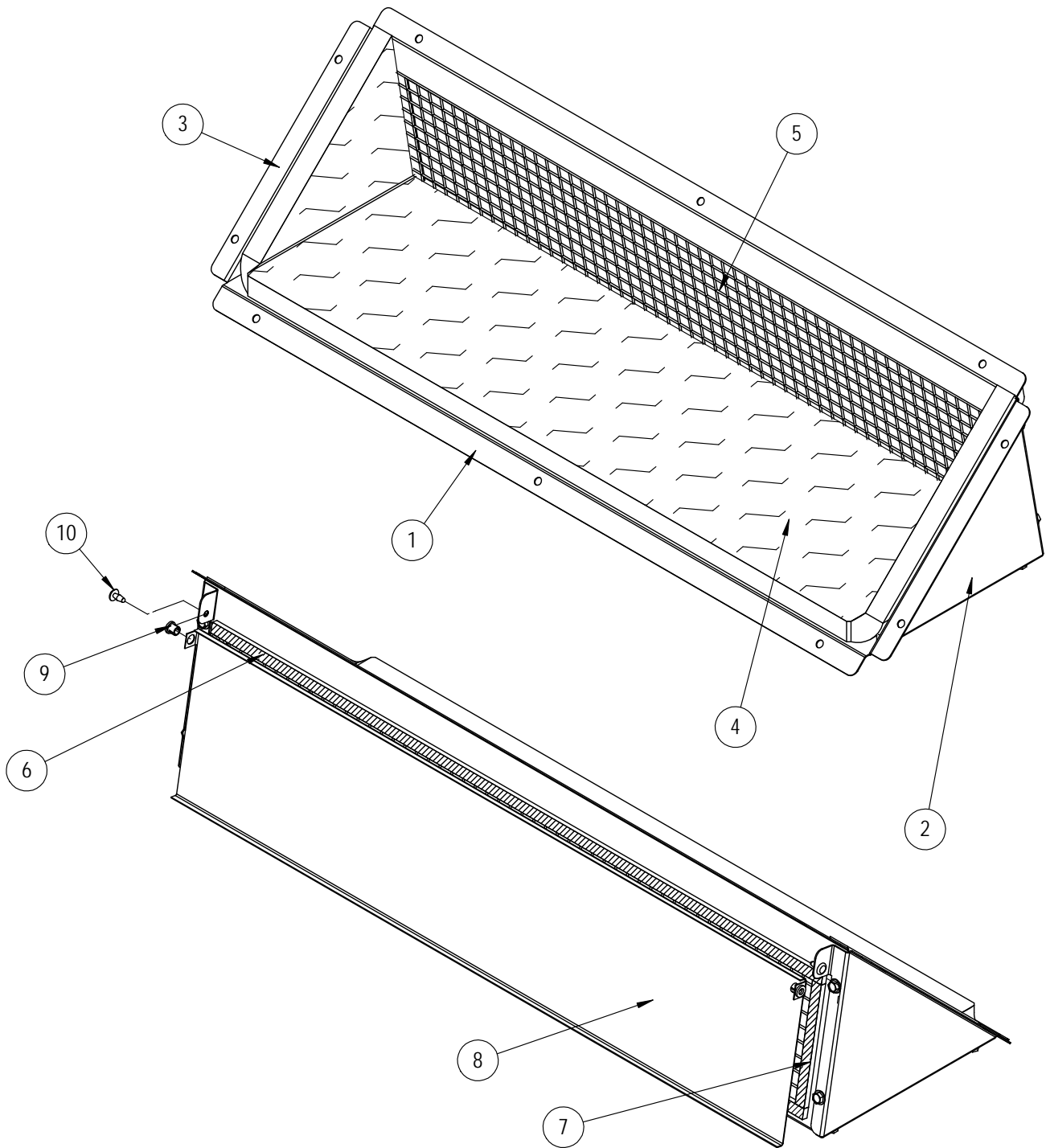
## FRESH AIR DAMPER ASSEMBLY

---

Drawing No.	Part No.	Description	FAD-BE5
1	139-406	INTAKE FAD PLATE	1
2	5021-2537A	INSULATION	1
3	7002-027-1700	17" SCREEN MEDIA	1
4	1913-079-1612	16-3/4" SFO W/PSA .197 X .375	2
5	1913-079-0704	7-1/4" SFO W/PSA .197 X .375	2
6	1913-131-3500	35" SFO PSA .197 X .75	1
7	139X409	DAMPER MOUNTING BRACKET - RH	1
8	139Y409	DAMPER MOUNTING BRACKET - LH	1
9	139-407	DAMPER BLADE	1
10	139-408	FAD ADJUSTMENT BRACKET	1
11	8611-057	BUSHING 3/16 312-3	2
12	8611-059	CANOE CLIP	2
13	1913-079-0508	5-1/2" SFO W/PSA .197 X .375	2
14	1913-079-3108	31-1/2" SFO W/PSA .197 X .375	1

# BAROMETRIC EXHAUST

---



SEXP-974

# BAROMETRIC EXHAUST

---

Drawing No.	Part No.	Description	FAD-BE5
1	139-410	EXHAUST WRAPPER	1
2	139Y412	EXHAUST ENDPLATE - LH	1
3	139X412	EXHAUST ENDPLATE - RH	1
4	5021-2538	INSULATION	1
5	7002-028-2700	27" SCREEN MEDIA 6-1/2W 1/6 SQ	1
6	1913-079-2600	26" SFO W/PSA .197 X .375	2
7	1913-079-0404	4-1/4" SFO W/PSA .197 X .375	2
8	139-411	EXHAUST DAMPER BLADE	1
9	8611-057	BUSHING 3/16 312-3	2
10	8611-059	CANOE CLIP	2