

---

# REPLACEMENT PARTS MANUAL

---

## Commercial Ventilator and Economizer

Models:

CRV-V5 ECON-NC5 ECON-WD5 ECON-DB5

---

### Contents

| <b>Description</b>                                 | <b>Page</b> |
|--|-------------|
| Intake Blade Assembly                              |             |
| ♦ Exploded View .....                              | 2           |
| ♦ Usage List .....                                 | 3           |
| Actuator Assembly                                  |             |
| ♦ Exploded View .....                              | 4           |
| ♦ Usage List .....                                 | 5           |
| Base Assembly and Exhaust Blade Assembly           |             |
| ♦ Exploded View .....                              | 6           |
| ♦ Usage List .....                                 | 7           |
| Exhaust Partition Assembly/Intake Seal Angle Assy. |             |
| ♦ Exploded View .....                              | 8           |
| ♦ Usage List .....                                 | 9           |
| Vent Assembly                                      |             |
| ♦ Exploded View .....                              | 10          |
| ♦ Usage List .....                                 | 11          |
| Control Assembly                                   |             |
| ♦ Exploded View .....                              | 12          |
| ♦ Usage List .....                                 | 13          |

### General Notes

- Revised and/or additional pages may be issued from time to time.
- A complete and current manual consists of pages shown in the following contents section.

### Important

- Contact the installing and/or local Bard distributor for all parts requirements. Make sure to have the complete model and serial number available from the unit rating plates.



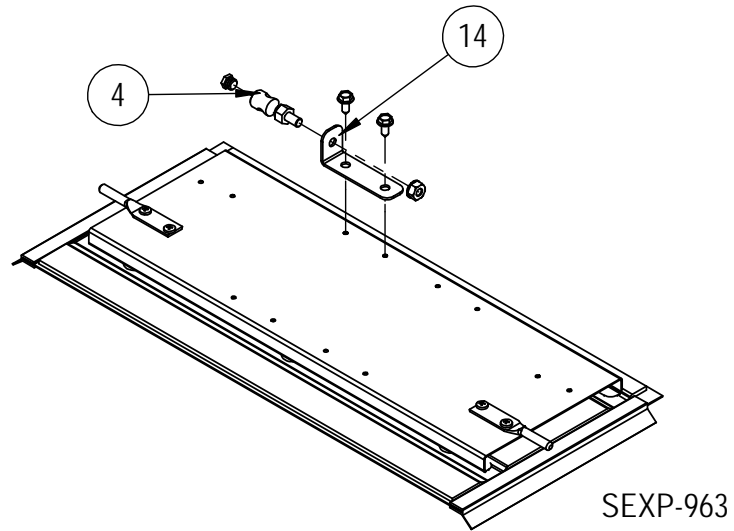
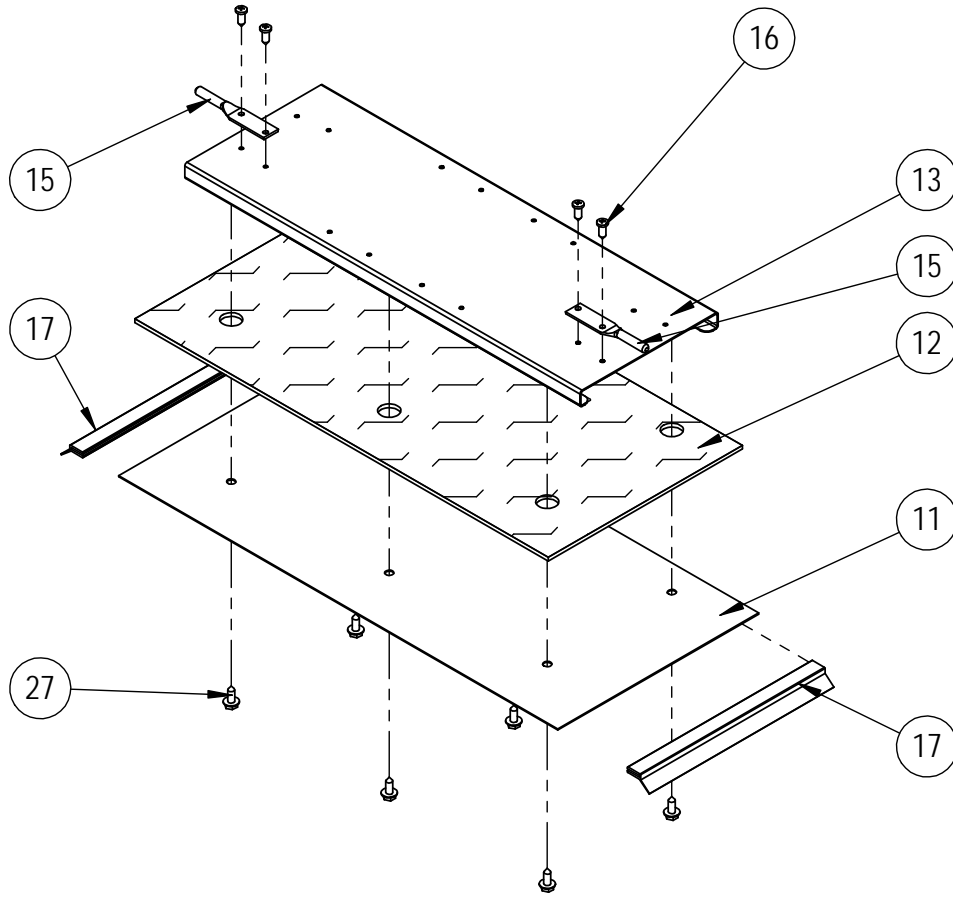
*Climate Control Solutions*

Bard Manufacturing Company, Inc.  
Bryan, Ohio 43506  
www.bardvac.com

Manual: 2110-1129  
Supersedes: **NEW**  
Date: 6-13-19

# INTAKE BLADE ASSEMBLY

---

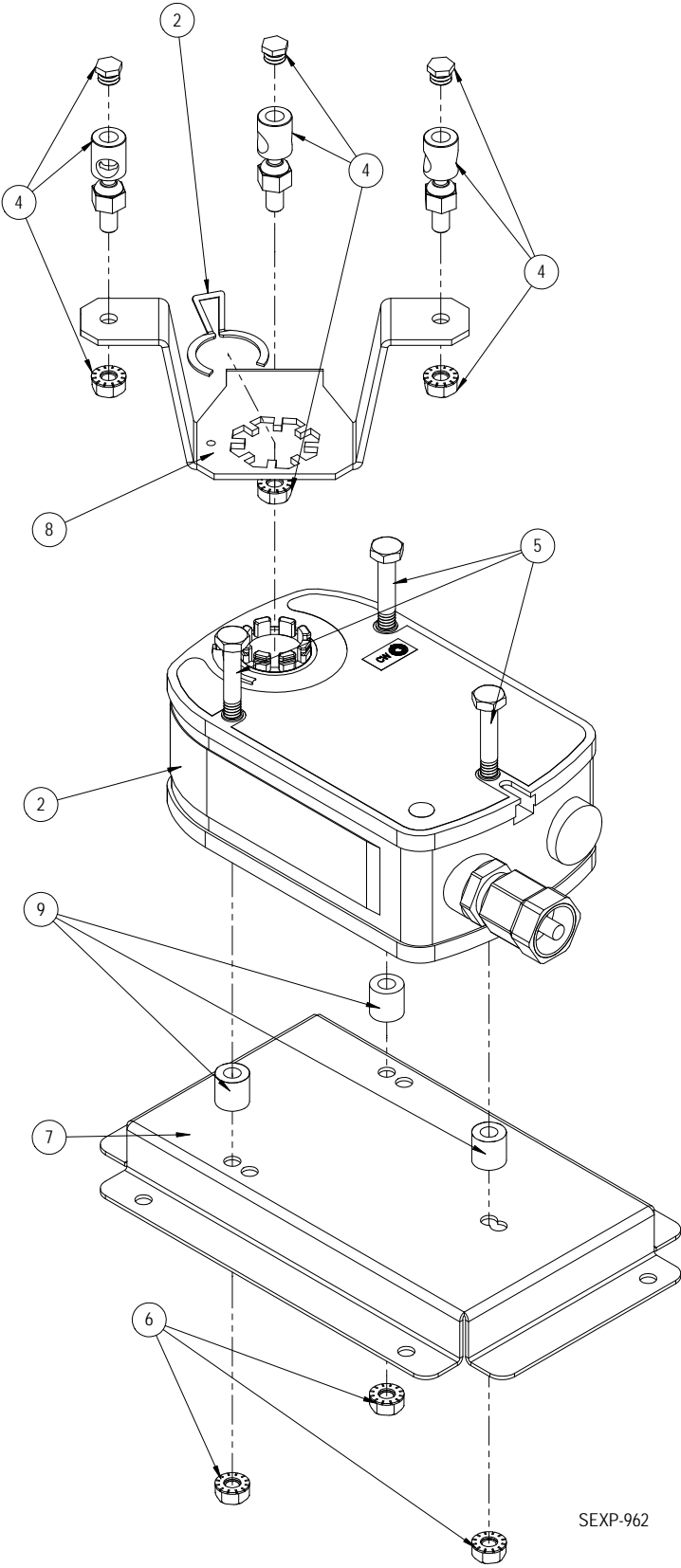


## INTAKE BLADE ASSEMBLY

---

| Drawing No. | Part No.      | Description                 | CRV-V5 | ECON-NC5 | ECON-WD5 | ECON-DB5 |
|-------------|---------------|-----------------------------|--------|----------|----------|----------|
| 4           | 8602-008      | BALL JOINT                  | X      | X        | X        | X        |
| 11          | 138-419       | INTAKE BLADE                | X      | X        | X        | X        |
| 12          | 1913-125      | INSULATION                  | X      | X        | X        | X        |
| 13          | 141-496       | INTAKE BLADE SUPPORT        | X      | X        | X        | X        |
| 14          | 113-772       | BALL JOINT MOUNTING BRACKET | X      | X        | X        | X        |
| 15          | 8602-106      | 1/4" ROUND END BEARING      | 2      | 2        | 2        | 2        |
| 17          | 1921-067-0700 | 7" DAMPER BLADE SEAL        | 2      | 2        | 2        | 2        |

# ACTUATOR ASSEMBLY

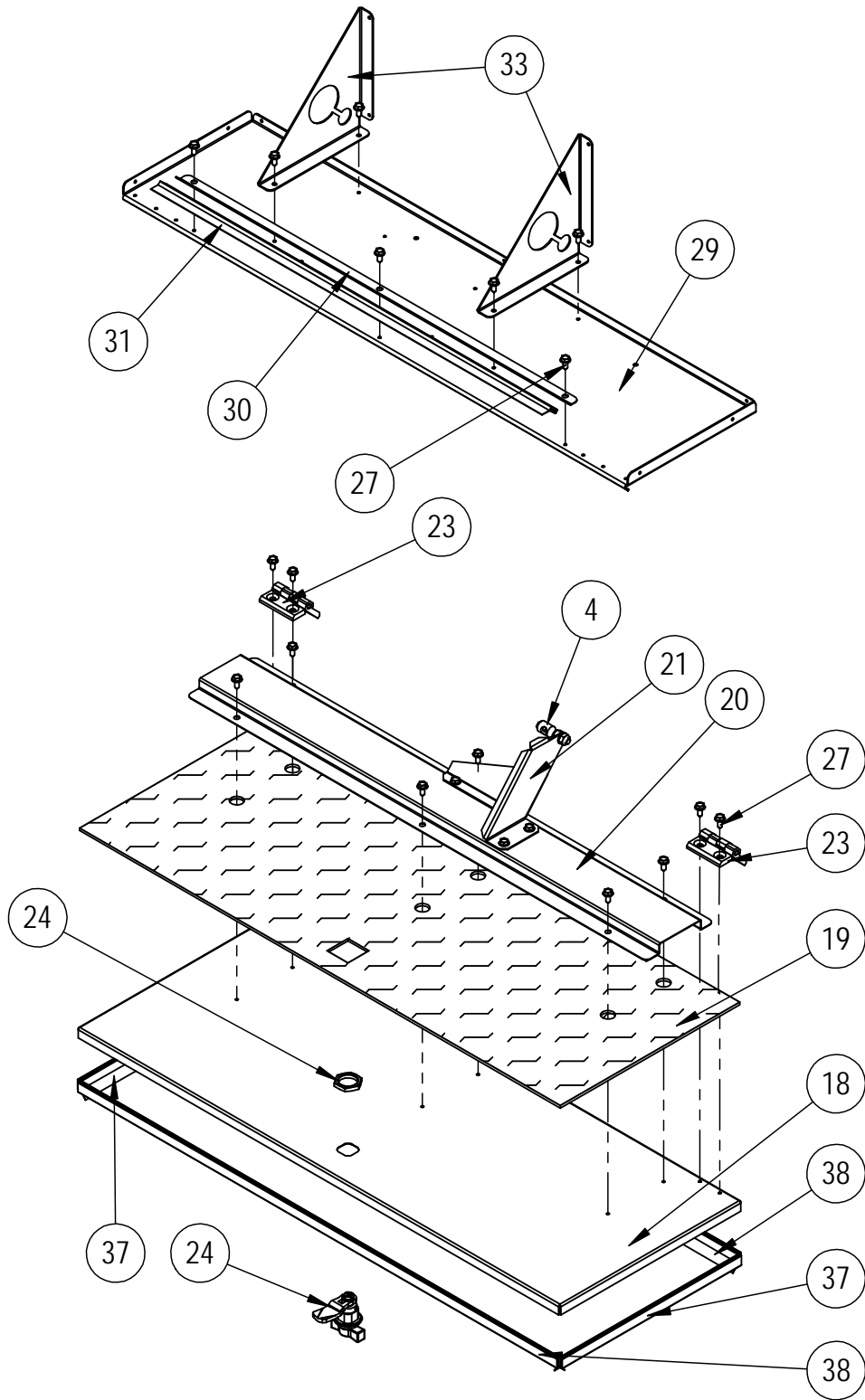


## ACTUATOR ASSEMBLY

---

| Drawing No. | Part No.  | Description                       | CRV-V5 | ECON-NC5 | ECON-WD5 | ECON-DB5 |
|-------------|-----------|-----------------------------------|--------|----------|----------|----------|
| 2           | 8602-059  | DIRECT COUPLED ACTUATOR           |        |          | X        | X        |
| 2           | 8602-075  | DIRECT COUPLED ACTUATOR           | X      | X        |          |          |
| 4           | 8602-008  | BALL JOINTS                       | 3      | 3        | 3        | 3        |
| 5           | 1012-174  | 1/4"-20X3-1/4 HEX - CAP SCREW     | 3      | X        | X        | X        |
| 6           | 1012-201  | 1/4-20 STEEL KEPS HEX NUT ZINC    | 3      | 3        | 3        | 3        |
| 7           | 141-495   | ACTUATOR SUPPORT PLATE            | X      | X        | X        | X        |
| 8           | 139-418   | ACTUATOR TRI-ARM                  |        |          | X        | X        |
| 8           | 139-432   | ACTUATOR TRI-ARM                  | X      | X        |          |          |
| 9           | 5451-029  | NYLON SLEEVE .257" I.D. X.5" LONG | 3      | 3        |          |          |
| NS          | 1012-355  | #8-32 TRI-ARM SCREW               |        |          | X        | X        |
| NS          | 8611-130  | LTF FITTING 3/4" OD               |        |          | X        | X        |
| NS          | 3000-1623 | ACTUATOR HARNESS                  |        |          | X        | X        |

# BASE ASSEMBLY AND EXHAUST BLADE ASSEMBLY



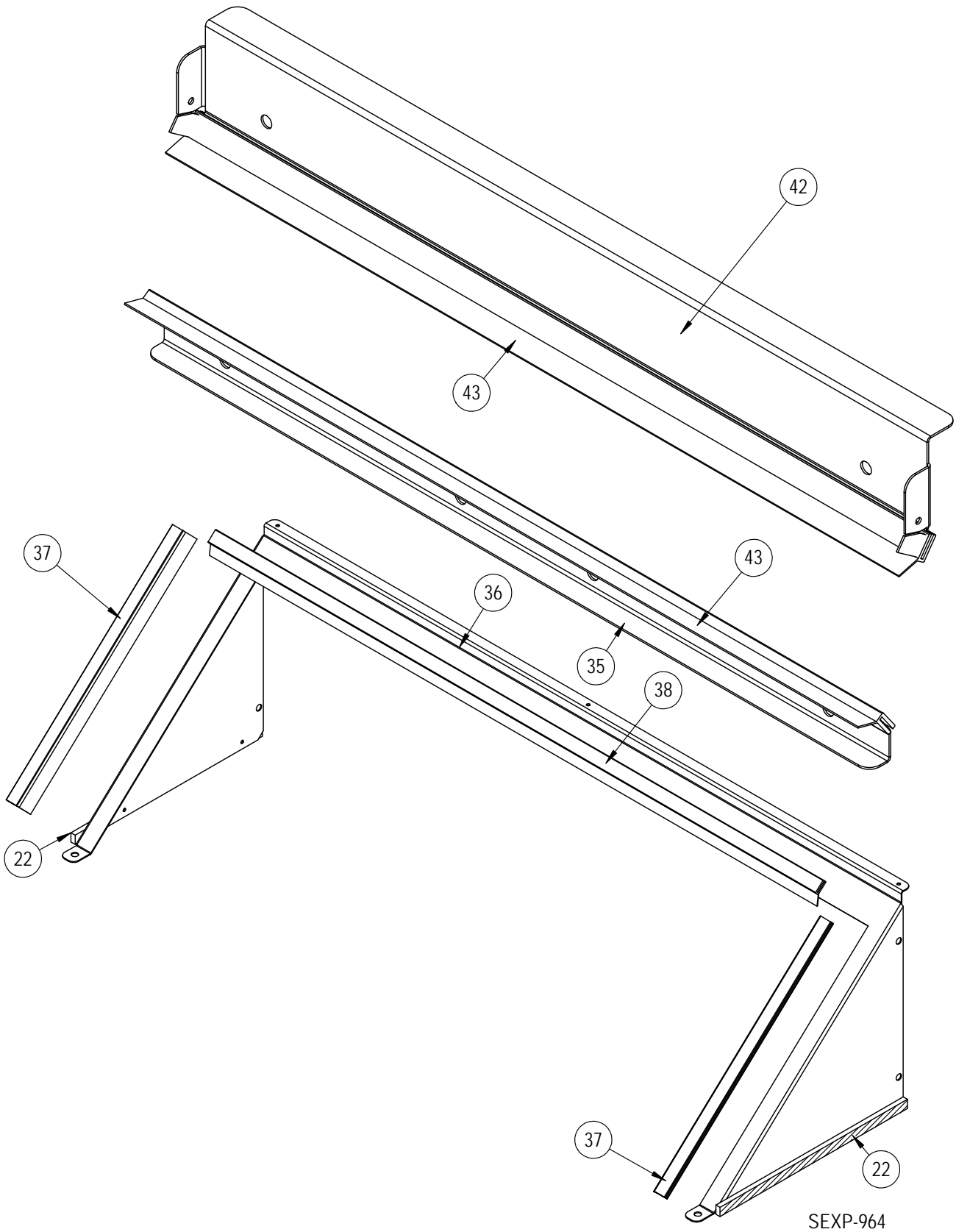
SEXP-961

## BASE ASSEMBLY AND EXHAUST BLADE ASSEMBLY

---

| Drawing<br>No. | Part No.      | Description                    | CRV-V5 | ECON-NC5 | ECON-WD5 | ECON-DB5 |
|----------------|---------------|--------------------------------|--------|----------|----------|----------|
| 4              | 8602-008      | BALL JOINT                     | X      | X        | X        | X        |
| 18             | 139-420       | EXHAUST BLADE                  | X      | X        | X        | X        |
| 19             | 1913-126      | INSULATION                     | X      | X        | X        | X        |
| 20             | 141-497       | EXHAUST BLADE SUPPORT          | X      | X        | X        | X        |
| 21             | 139-421       | EXHAUST BLADE ARM              | X      | X        | X        | X        |
| 23             | 5400-010      | METAL DBL LEAF HINGE 50 X 50MM | 2      | X        | X        | X        |
| 24             | 1171-072      | 1/4 TURN - WING KNOB LATCH     | X      | X        | X        | X        |
| 29             | 127-578       | BASE                           | X      | X        | X        | X        |
| 30             | 105-1461      | EXHAUST SEAL ANGLE             | X      | X        | X        | X        |
| 31             | 1921-067-2303 | 23-3/16" DAMPER BLADE SEAL     | X      | X        | X        | X        |
| 33             | 141-499       | BASE SUPPORT GUSSET            | 2      | 2        | 2        | 2        |
| 37             | 1921-067-1010 | 10-5/8" DAMPER BLADE SEAL      | 2      | X        | X        | X        |
| 38             | 1921-067-2806 | 28-3/8" DAMPER BLADE SEAL      | 2      | 2        | 2        | 2        |

# EXHAUST PARTITION ASSEMBLY/INTAKE SEAL ANGLE ASSEMBLY



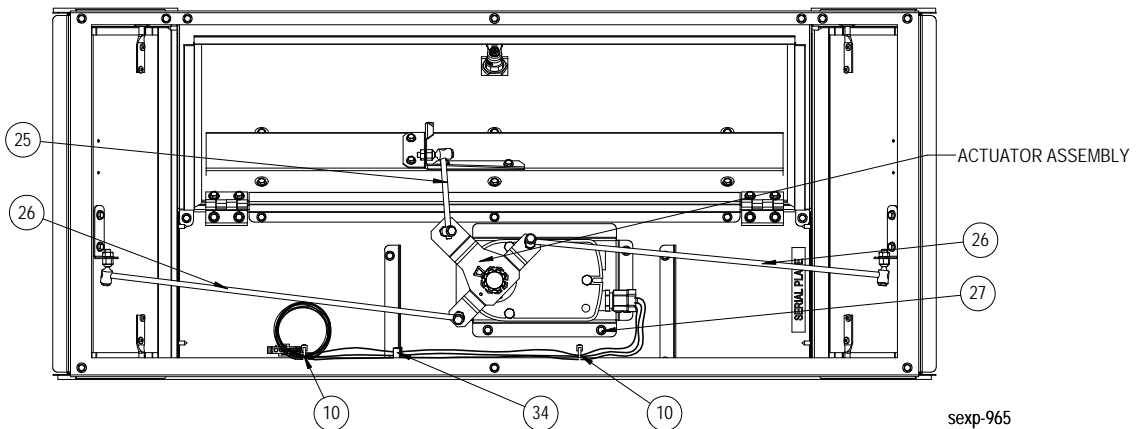
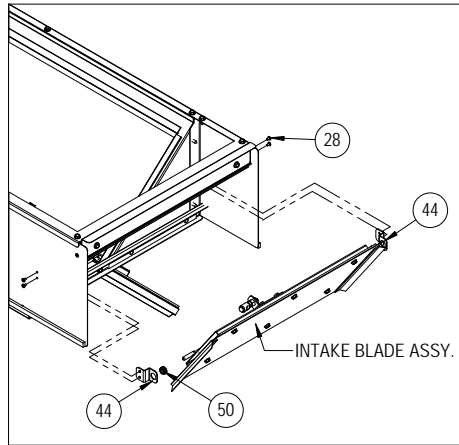
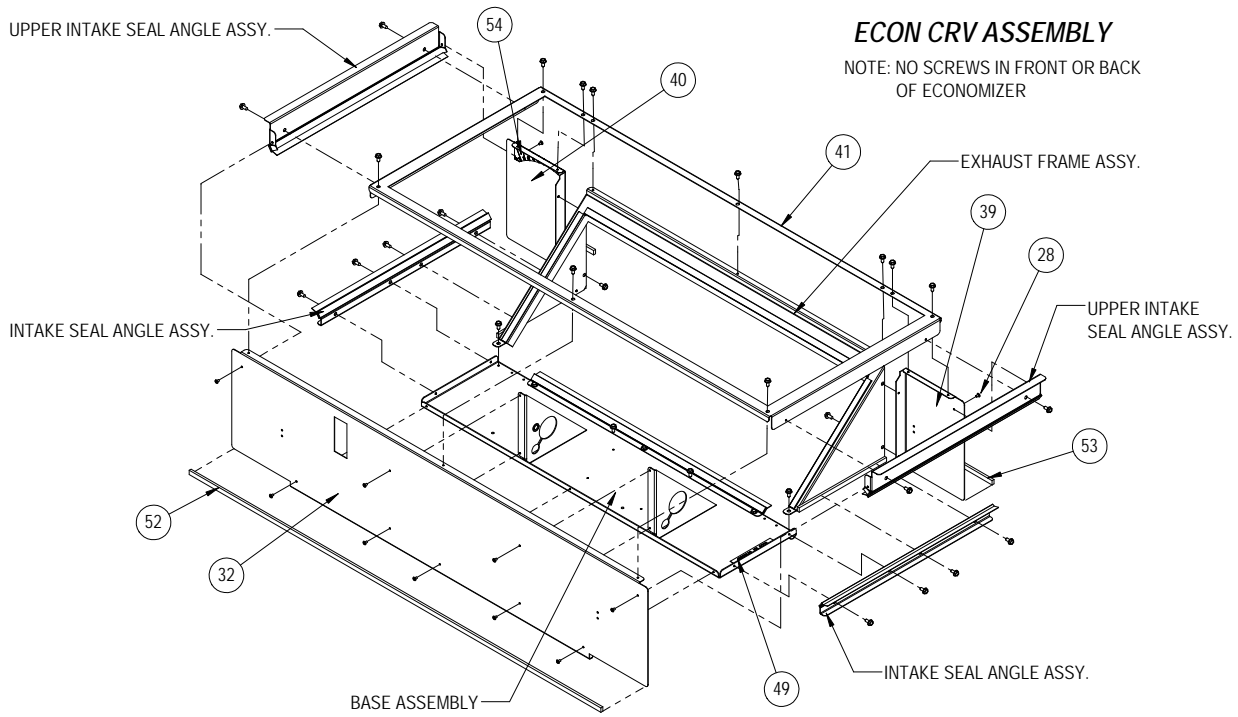


# EXHAUST PARTITION ASSEMBLY/INTAKE SEAL ANGLE ASSEMBLY

---

| Drawing<br>No. | Part No.      | Description                  | CRV-V5 | ECON-NC5 | ECON-WD5 | ECON-DB5 |
|----------------|---------------|------------------------------|--------|----------|----------|----------|
| 22             | 1913-079-0812 | 8-3/4" SFO W/PSA .197 X .375 | 2      | 2        | 2        | 2        |
| 35             | 105-1460      | LOWER INTAKE SEAL ANGLE      | X      | X        | X        | X        |
| 36             | 139-422       | EXHAUST FRAME                | X      | X        | X        | X        |
| 37             | 1921-067-1010 | 10-5/8" DAMPER BLADE SEAL    | 2      | 2        | 2        | 2        |
| 38             | 1921-067-2806 | 28-3/8" DAMPER BLADE SEAL    | X      | X        | X        | X        |
| 42             | 105-1459      | UPPER INTAKE SEAL ANGLE      | X      | X        | X        | X        |
| 43             | 1921-067-1614 | 16-7/8" DAMPER BLADE SEAL    | X      | X        | X        | X        |

# VENT ASSEMBLY



# VENT ASSEMBLY

| Drawing No. | Part No.      | Description                        | CRV-V5 | ECON-NC5 | ECON-WD5 | ECON-DB5 |
|-------------|---------------|------------------------------------|--------|----------|----------|----------|
| 10          | 7950-012      | PUSH MOUNT CABLE TIE 6-1/8"        | 2      | 2        | 2        | 2        |
| 25          | 8602-104      | 1/4 X 4-1/4" ROD                   | X      | X        | X        | X        |
| 26          | 8602-105      | 1/4 X 17-1/4" ROD                  | 2      | 2        | 2        | 2        |
| 32          | 115-326       | FRONT                              | X      | X        | X        | X        |
| 34          | 8611-047      | OPEN/CLOSE SNAP BUSHING 3/4"       | X      | X        | X        | X        |
| 39          | 139X424       | REAR INTAKE PARTITION - RH         | X      | X        | X        | X        |
| 40          | 139Y424       | REAR INTAKE PARTITION - LH         | X      | X        | X        | X        |
| 41          | 107-385       | TOP                                | X      | X        | X        | X        |
| 44          | 113-773       | DAMPER PIVOT BRACKET               | 4      | 4        | 4        | 4        |
| 50          | 8611-239      | 1/2" SNAP-IN SMOOTH BORE BSHNG     | 4      | 4        | 4        | 4        |
| 52          | 1913-079-4104 | 41-1/4" SFO W/PSA .197 X .375      | X      | X        | X        | X        |
| 53          | 1913-079-0514 | 5-7/8" SFO W/PSA .197 X .375       | 2      | 2        | 2        | 2        |
| 54          | 7961-904      | CRVV-5 Position Label              | X      |          |          |          |
| NS          | 7003-084      | MIST FILTER                        | 2      | 2        | 2        | 2        |
| NS          | 7003-083      | EXHAUST BUG SCREEN                 | X      | X        | X        | X        |
| NS          | 543-223       | SIDE VENT BLOCK OFF PLATE ASSEMBLY | 2      | 2        | 2        | 2        |
| NS          | 539-405       | INTAKE SEALING FRAME               | 2      | 2        | 2        | 2        |
| NS          | 4056-250      | WIRING DIAGRAM                     |        |          | X        |          |
| NS          | 4056-246      | WIRING DIAGRAM                     | X      |          |          |          |
| NS          | 4056-247      | WIRING DIAGRAM                     |        | X        |          |          |
| NS          | 4056-254      | WIRING DIAGRAM                     |        |          |          | X        |



# CONTROL ASSEMBLY

| Drawing No. | Part No.       | Description                           | CRV-V5 | ECON-NC5 | ECON-WD5 | ECON-DB5 |
|-------------|----------------|---------------------------------------|--------|----------|----------|----------|
| 1           | 127-576        | VENT CONTROL BASE                     | X      |          | X        |          |
| 2           | 8201-167       | CRV CONTROL BOARD                     | X      |          |          |          |
| 2           | 8602-056-0003A | HONEYWELL ECONOMIZER MODULE           |        |          | X        | X        |
| 3           | 8201-130       | RELAY, SPDT, PILOT DUTY               | X      |          | X        | X        |
| 4           | 1012-065       | SCREW, TYPEAB PZPNHD #8 18X3/8        |        |          |          |          |
| 5           | 3000-1625      | WIRE ASSEMBLY                         | X      |          |          |          |
| 5           | 3000-1635      | WIRE ASSEMBLY                         |        |          | X        | X        |
| 6           | 3000-1626      | WIRE ASSEMBLY                         | X      |          |          |          |
| 6           | 3000-1624      | WIRE ASSEMBLY                         |        |          | X        |          |
| 6           | 3000-1665      | WIRE ASSEMBLY 4 PIN WIRE HARNESS      |        |          |          | X        |
| 7           | 7950-012       | PUSH MOUNT CABLE TIE 6-1/8"           | 2      |          | X        | X        |
| NS          | 910-2072       | 10K SENSOR ASSEMBLY                   |        | X        |          |          |
| NS          | 910-1980       | SENSOR ASSEMBLY ENTH (OUTDOOR)        |        |          | X        |          |
| NS          | 8602-058       | MIXED AIR SENSOR (INDOOR)             |        |          | X        | X        |
| NS          | 910-2072       | SENSOR ASSEMBLY 10K (OUTDOOR)         |        | X        |          |          |
| NS          | 910-1898       | TEMPERATURE SENSOR ASSEMBLY (OUTDOOR) |        |          |          | X        |