

---

# Replacement Parts Manual

# Blower Coil Unit

## Model: SBC048B

---

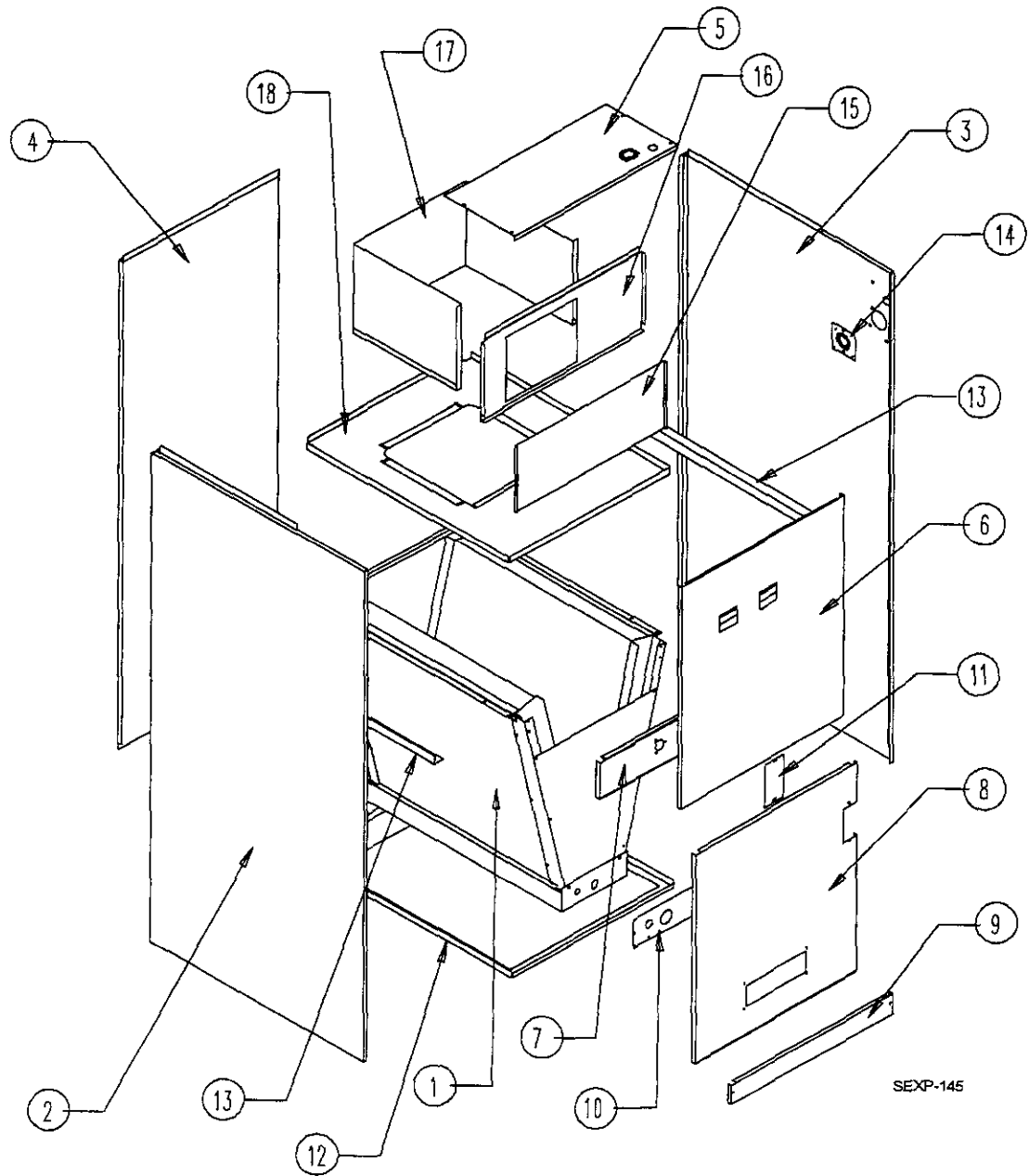
## General Notes

- Revised and/or additional pages may be issued from time to time.
- A complete and current manual consists of pages shown in the following contents section.

## Contents

Description	Page
Cabinet Components	
♦ Exploded View .....	1
♦ Usage List .....	2
Functional Components	
♦ Exploded View .....	3
♦ Usage List .....	4
Coil Assembly Components	
♦ Exploded View .....	5
♦ Usage List .....	6

# Cabinet Components

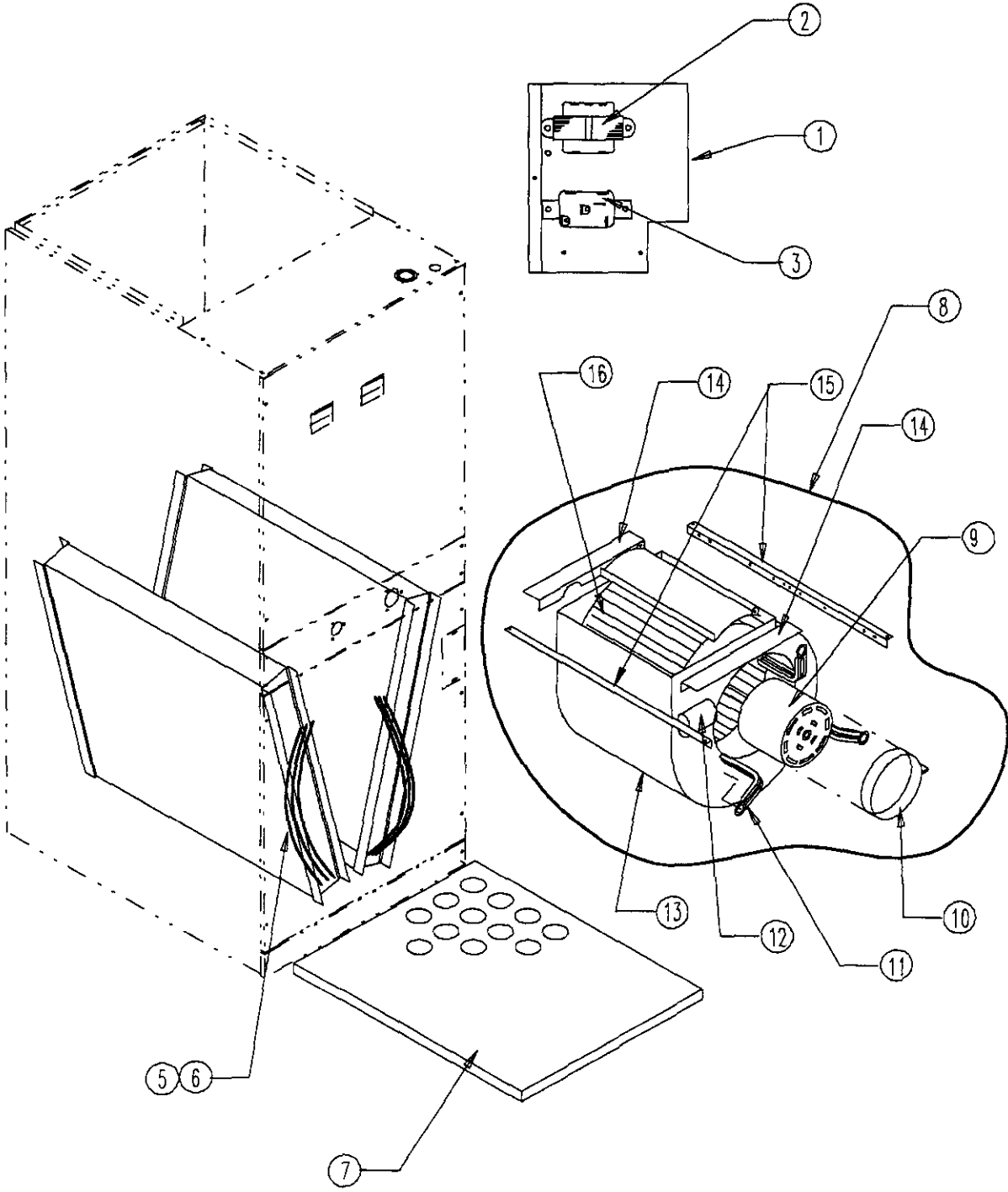


SEXP-145

# Cabinet Components

Drawing No.	Part No.	Description	SBC048B
1	600-0039	Complete Coil Assembly	•
2	500-203	Left Side Assembly	•
3	500-202	Right Side Assembly	•
4	508-086	Back Assembly	•
5	507-123	Top Assembly	•
6	552-177	Upper Door	•
7	540-234	Tubing Entrance Panel	•
8	552-178	Lower Door	•
9	552-179	Filter Door	•
10	536-151	Drain Cover Plate	•
11	542-030	Cover Plate	•
12	127-171	Lower Base	•
13	140-155	Coil Assembly Support	•
14	136-154	T.K.O. Plate	•
15	133-100	Control Panel Cover	•
16	120-142	Heater Partition	•
17	134-114	Heater Shield	•
18	126-172	Blower Base	•

# Functional Components

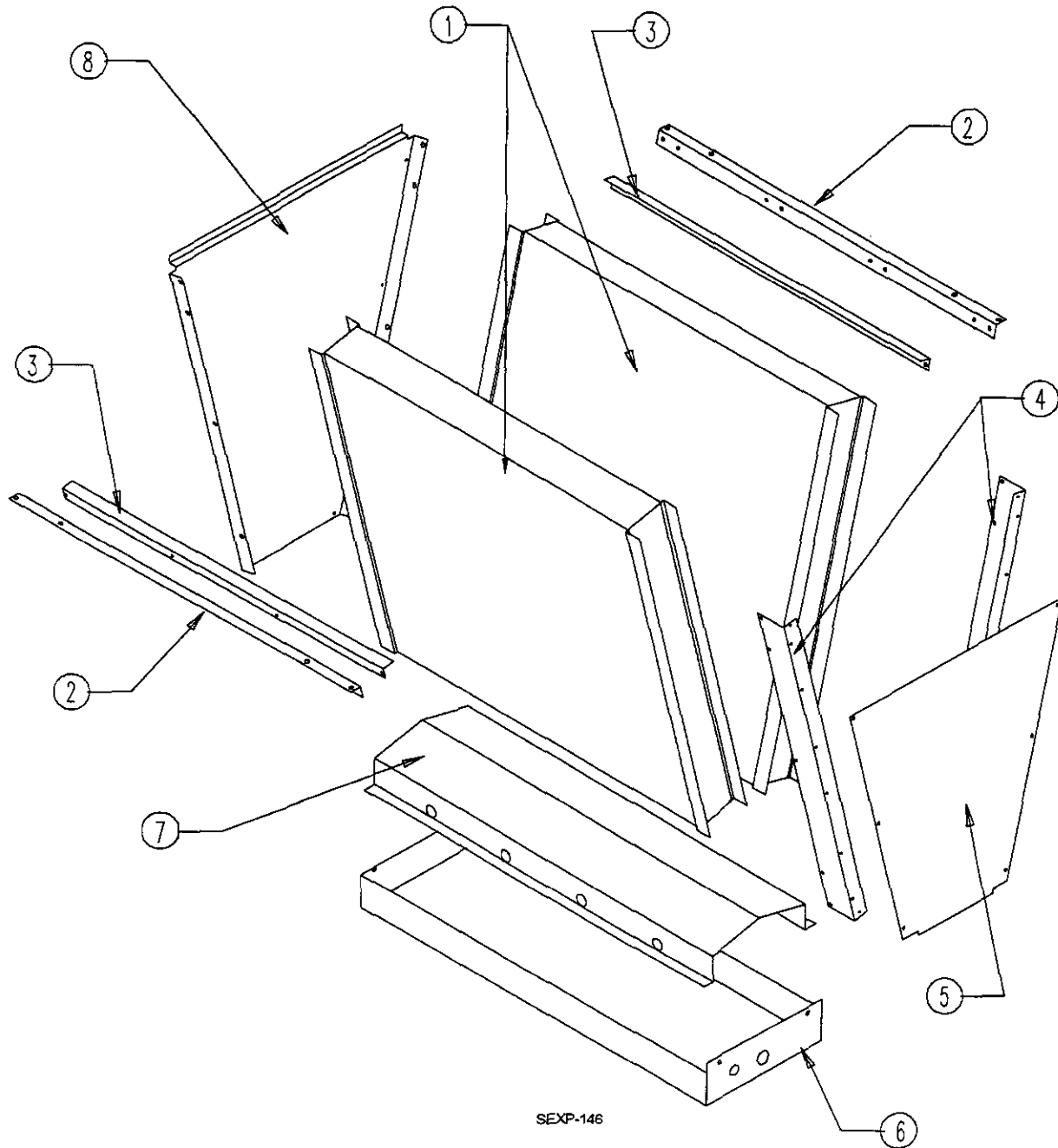


SEXP-243

Drawing No.	Part No.	Description	SBC048B
1	116-118	Control Panel	•
2	8407-047	Transformer 75VA	•
3	8201-009	Blower Relay	•
5	5651-141	Expansion Valve	•
6	5625-020	Distributor	•
7	7004-013	Filter 20 x 25 x 1	•
8	900-159	Blower Assembly	•
9	8106-027	Motor 1/2 HP 230V	•
10	8200-033	Motor Mount Band	•
11	8200-034	Motor Mount Arm	•
12	8552-004	Capacitor 7-1/2 / 370	•
13	151-068	Blower Housing	•
14	104-779	Blower Angle	•
15	104-829	Blower Angle	•
16	5152-066	Blower Wheel 10 x 8	•
NS	4088-800	Wiring Diagram	•

NS – Not Shown

# Blower Assembly



SEXP-146

# Blower Assembly

---

Drawing			SBC048B
No.	Part No.	Description	
1	5060-058	Evaporator Coil 24 x 24	•
2	104-828	Coil Support Angle	•
3	104-096	Top Coil Fill	•
4	136-146	Coil End Fill	•
5	142-031	Coil Cover Panel	•
6	123-073	Drain Pan	•
7	140-177	Coil Riser	•
8	136-147	Rear Coil Fill	•

