
REPLACEMENT PARTS MANUAL

Wall Mount Energy Recovery Ventilator

Models:
ERV-FA5 ERV-FC5 ERV-FT5

Contents

Description	Page	Description	Page
Upper Blower Wrapper Assembly		Control Assembly	
♦ Exploded View	2	♦ Layout View	10
♦ Usage List	2	♦ Usage List	11
Upper Blower Assembly		Transformer Assembly – 460V Only (ERV-FC5)	
♦ Exploded View	3	♦ Exploded View	12
♦ Usage List	3	♦ Usage List	13
Lower Blower Wrapper Assembly		Transformer Assembly – 460V Only (ERV-FT5)	
♦ Exploded View	4	♦ Exploded View	14
♦ Usage List	4	♦ Usage List	15
Lower Blower Assembly			
♦ Exploded View	5		
♦ Usage List	5		
Cassette Fill and Support			
♦ Exploded View	6		
♦ Usage List	7		
Cassette Components			
♦ Exploded View	8		
♦ Usage List	9		

General Notes

- Revised and/or additional pages may be issued from time to time.
- A complete and current manual consists of pages shown in the following contents section.

Important

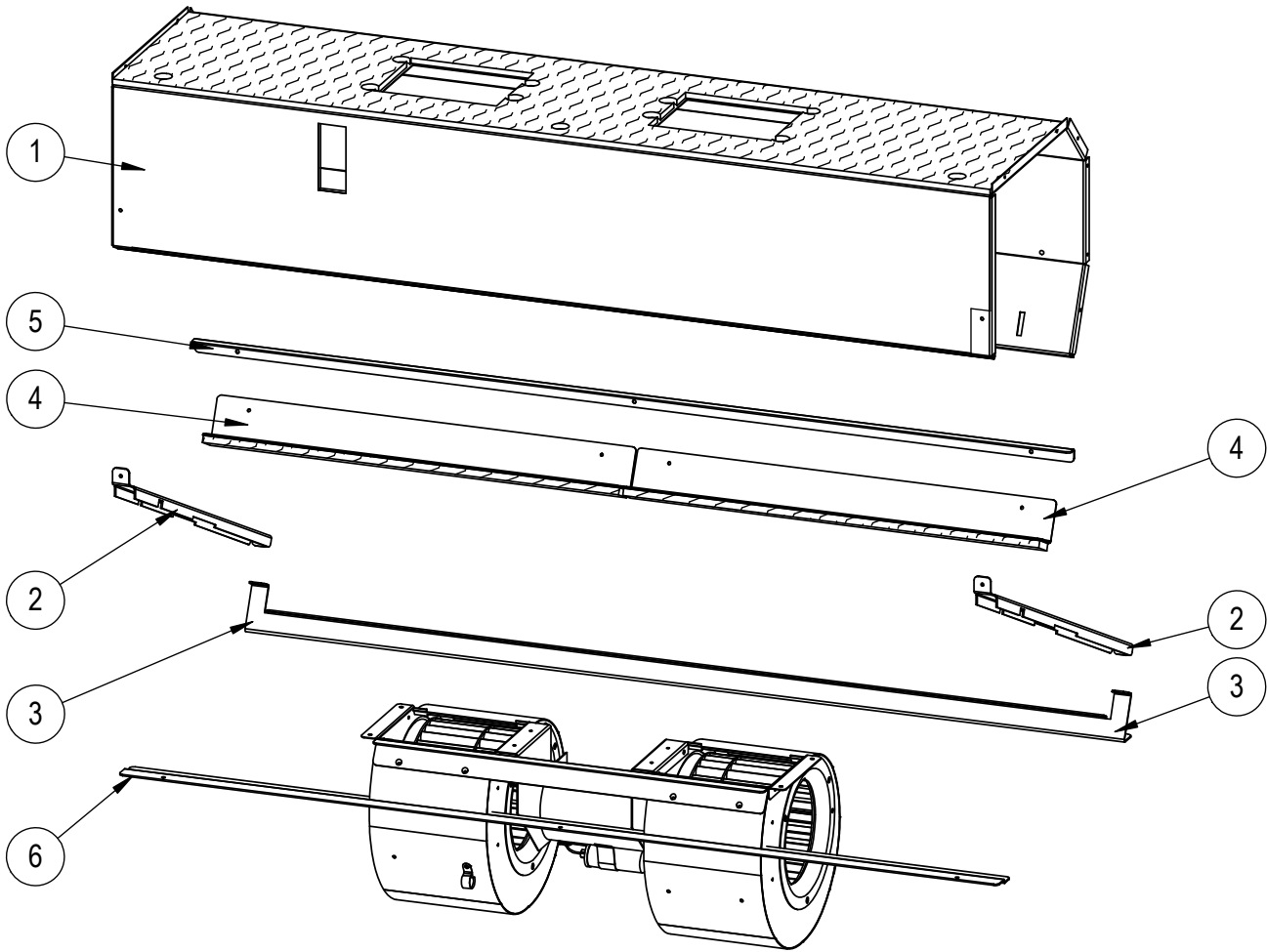
- Contact the installing and/or local Bard distributor for all parts requirements. Make sure to have the complete model and serial number available from the unit rating plates.



Bard Manufacturing Company, Inc.
Bryan, Ohio 43506
www.bardhvac.com

Manual: 2110-1130A
Supersedes: 2110-1130
Date: 12-8-23

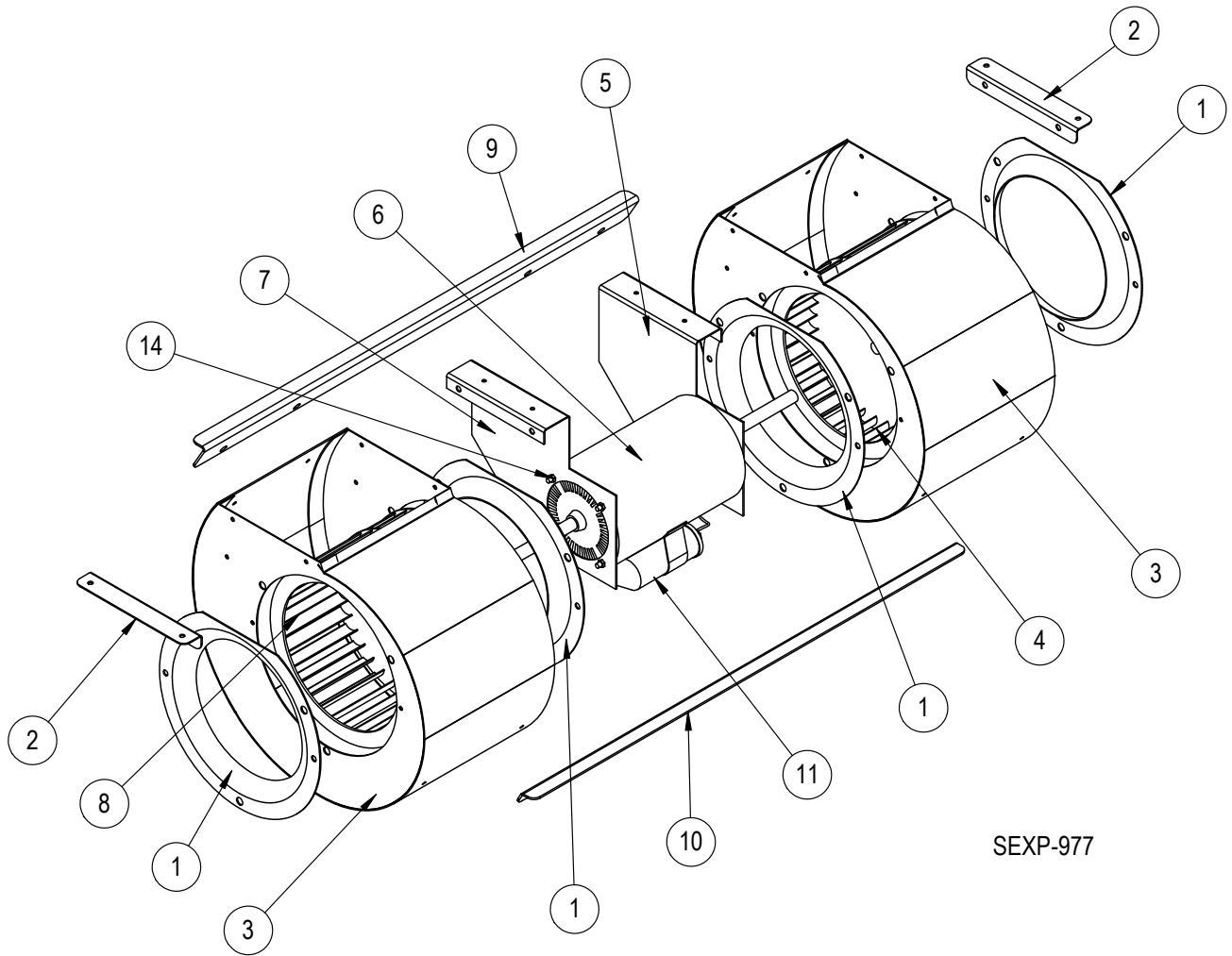
UPPER BLOWER WRAPPER ASSEMBLY



SEXP-980 A

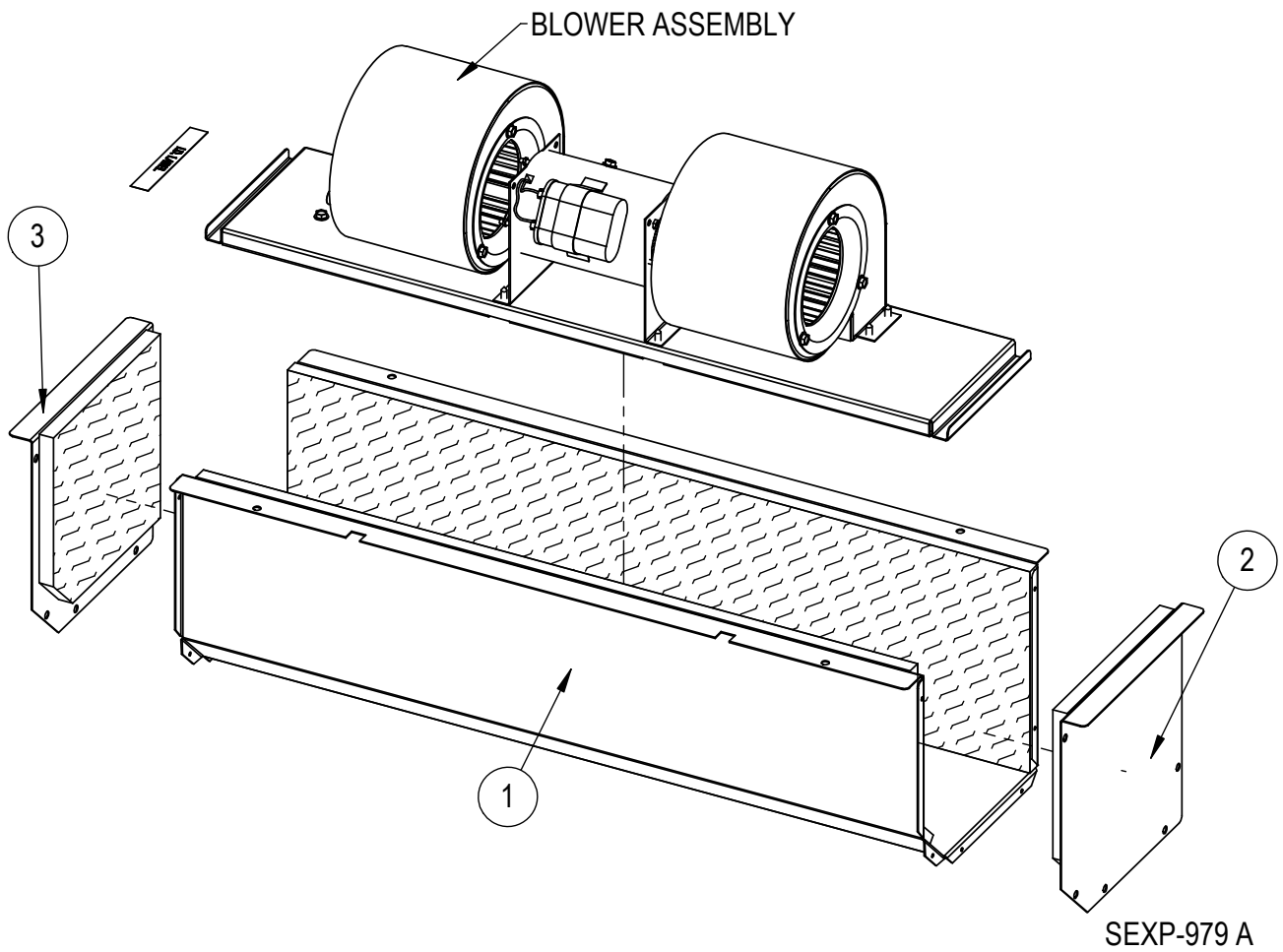
Drawing No.	Part No.	Description	ERV-FA5	ERV-FC5 ERV-FT5
1	539-429BX	UPPER ERV WRAPPER	X	X
2	113-776BX	END SUPPORT BRACKET	2	2
3	113-777BX	REAR SLIDE BRACKET	X	X
4	105-1467BX	SEAL ADJUSTMENT ANGLE	2	2
5	141-506BX	BLOWER SLIDE ANGLE	X	X
6	147-056BX	BLOWER SLIDE OFFSET	X	X

UPPER BLOWER ASSEMBLY



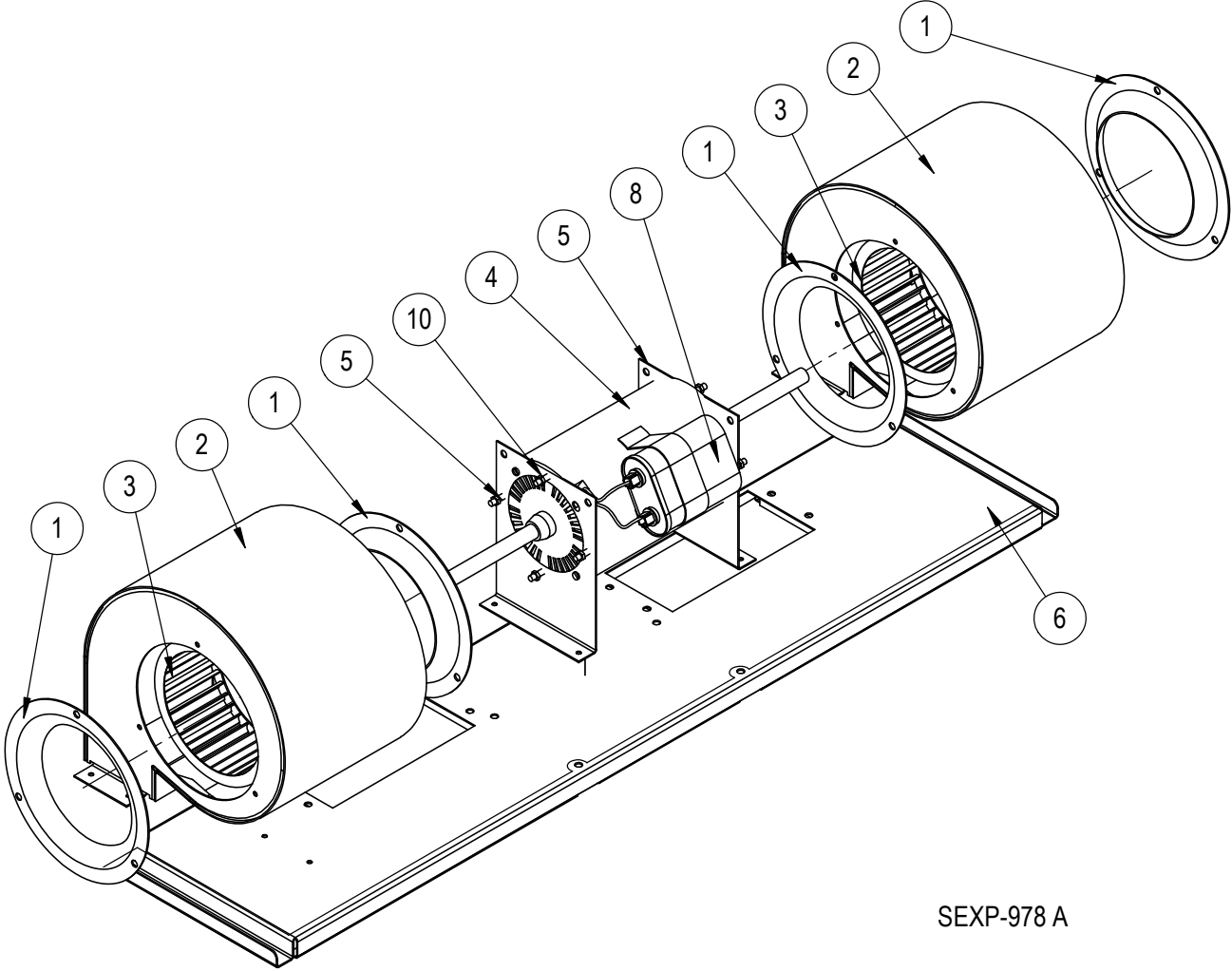
Drawing No.	Part No.	Description	ERV-FA5	ERV-FC5 ERV-FC5
1	144-180BX	INLET PLATE	4	4
2	105-1463BX	BLOWER SIDE ANGLE	2	2
3	151-127BX	BLOWER HOUSING ASSEMBLY	2	2
4	5152-094BX	BLOWER WHEEL C525-400D CCW	X	X
5	113Y274BX	LEFT BLOWER MOTOR SUPPORT	X	X
6	8101-019BX	MOTOR 1/10 HP 230/208 3SP	X	X
7	113X274BX	RIGHT BLOWER MOTOR SUPPORT	X	X
8	5152-095BX	BLOWER WHEEL C525-400D CW	X	X
9	105-1464BX	SLIDE ANGLE - OUTLET	X	X
10	105-1465BX	SLIDE ANGLE - WRAPPER	X	X
11	8552-002BX	CAPACITOR	X	X
14	1012-220	FLANGE NUT	8	8

LOWER BLOWER WRAPPER ASSEMBLY



Drawing No.	Part No.	Description	ERV-FA5	ERV-FC5 ERV-FT5
1	139-427BX	WRAPPER	X	X
2	101X1057BX	END PLATE - RH	X	X
3	101Y1057BX	END PLATE - LH	X	X

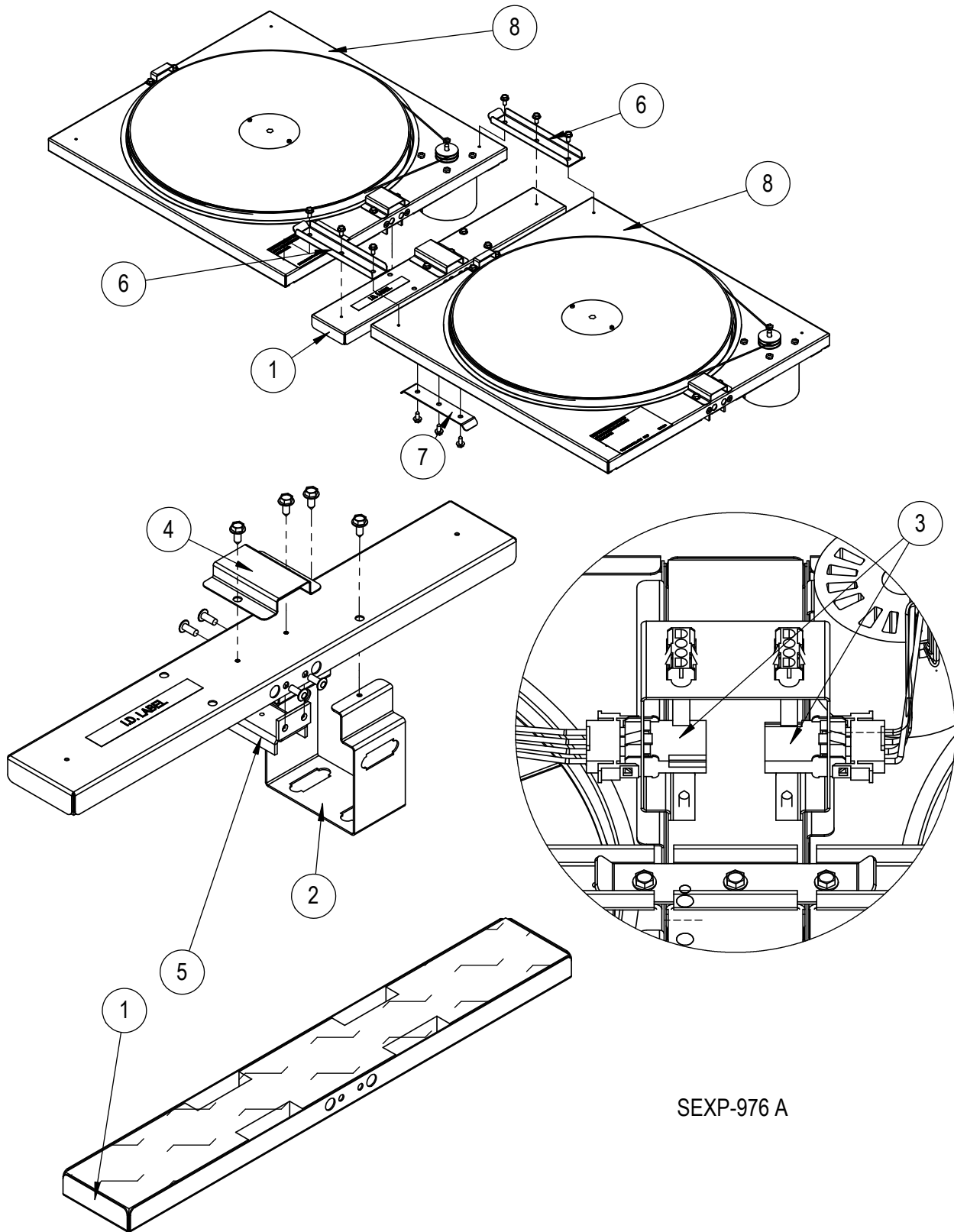
LOWER BLOWER ASSEMBLY



SEXP-978 A

Drawing No.	Part No.	Description	ERV-FA5	ERV-FC5 ERV-FT5
1	144-188BX	INLET RING	4	4
2	151-119BX	BLOWER HOUSING ASSEMBLY	2	2
3	5152-078BX	BLOWER WHEEL CW 3/8" 97MM-94MM	2	2
4	910-2067BX	MOTOR 1/10 HP 230/208 3SP	X	X
5	129-018BX	MOTOR MOUNT	2	2
6	141-503BX	BLOWER MOUNTING PLATE	X	X
8	8552-001BX	CAPACITOR	X	X
10	1012-220	8-32 HEX FLANGE NUT W/LOCKING	8	8

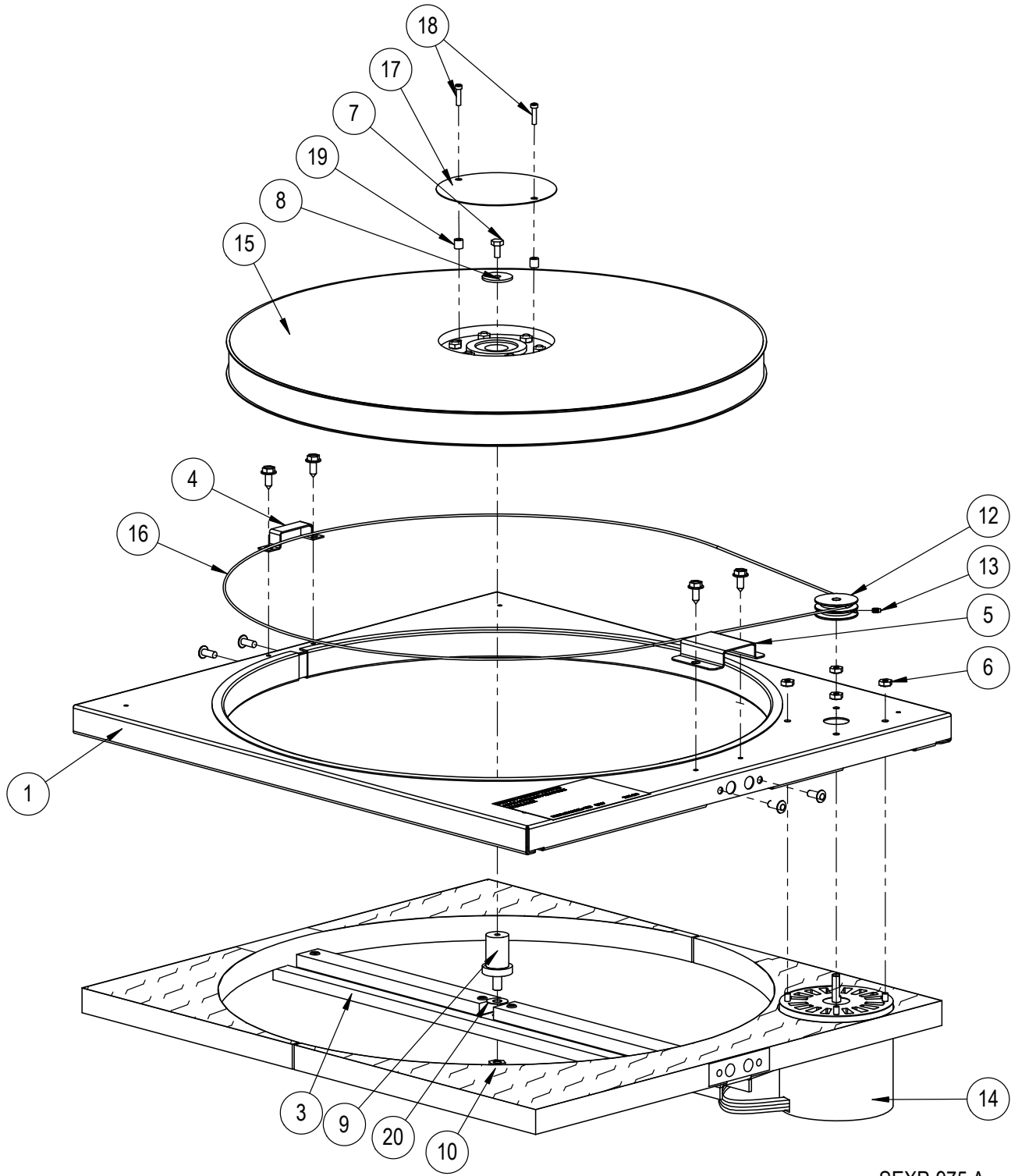
CASSETTE FILL AND SUPPORT



CASSETTE FILL AND SUPPORT

Drawing No.	Part No.	Description	ERV-FA5	ERV-FC5 ERV-FT5
1	143-226BX	FILL PLATE	X	X
2	113-782BX	PLUG BRACKET	X	X
3	3000-1633BX	WIRE ASSEMBLY	2	2
4	113-778BX	TOP FILL BRACKET	X	X
5	113-779BX	BOTTOM FILL BRACKET	X	X
6	143-227BX	CONNECTOR STRAP	2	2
7	143-232BX	BOTTOM CENTER STRAP	X	X
8	5070-059BX	CASSETTE ASSEMBLY	2	2

CASSETTE COMPONENTS

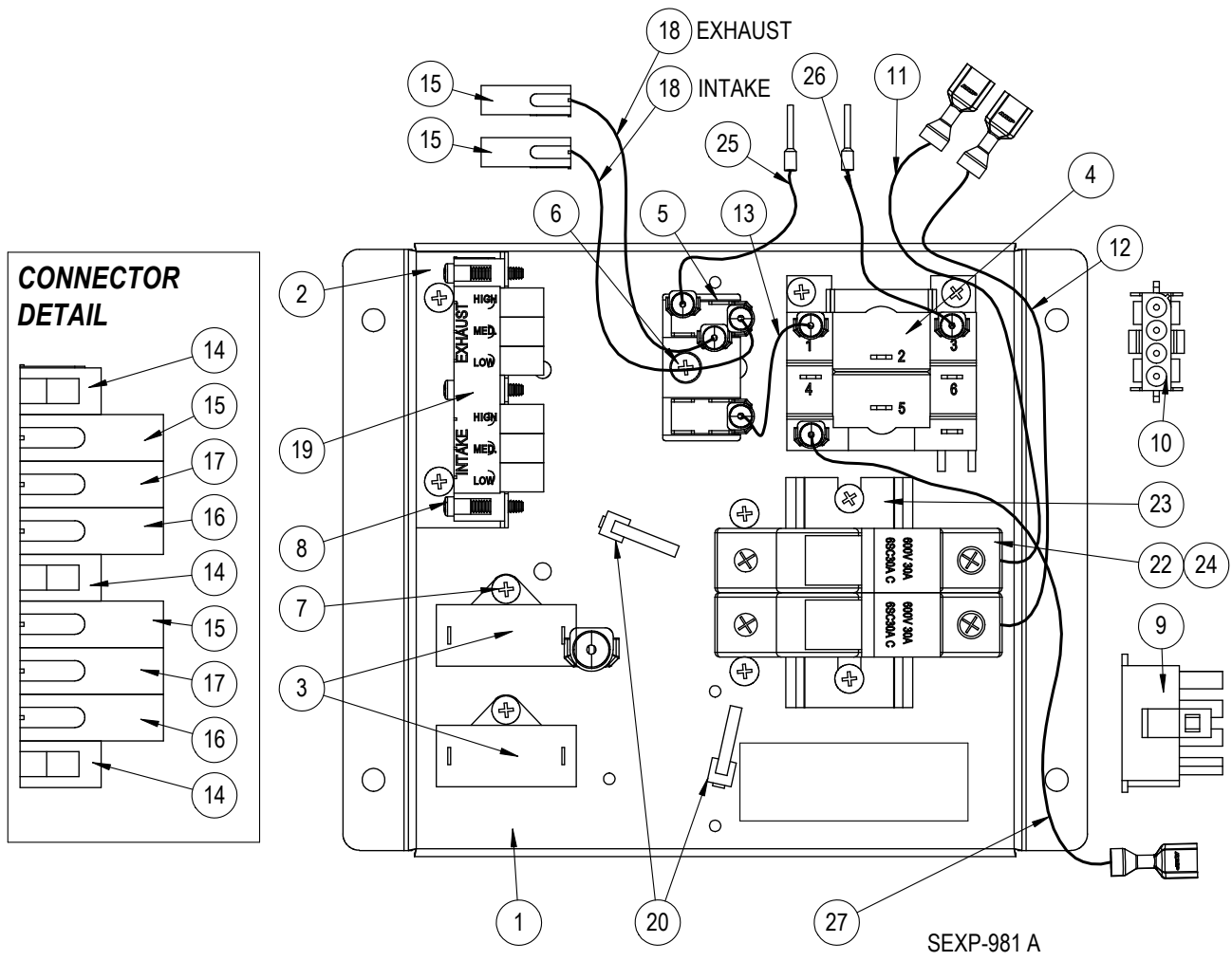


SEXP-975 A

CASSETTE COMPONENTS

Drawing No.	Part No.	Description	ERV-FA5	ERV-FC5 ERV-FT5
1	139-425BX	CASSETTE PLATE ASSEMBLY	X	X
3	141-502BX	SUPPORT BAR	X	X
4	113-780BX	TOP FILL BRACKET - SMALL	X	X
5	113-781BX	TOP FILL BRACKET - LARGE	X	X
6	1012-215	#8-32 STEEL HEX NUT W/EXTERNAL	4	4
7	1012-071	#10-32 X 3/8 HEX HEAD BOLT	X	X
8	1012-154	WASHER #10 FLAT,.875X.203X.062	X	X
9	1912-012	SHAFT, WHEEL BEARING	X	X
10	1012-201	1/4-20 STEEL KEPS HEX NUT ZINC	X	X
12	5501-020BX	DOUBLE PULLEY ROUND DRIVE BELT	X	X
13	1012-156	SET SCREW, M4 X 6MM, CUP PNT	X	X
14	8101-021BX	MOTOR 1/10HP 230V 1050 RPM, CW	X	X
15	5070-043BX	WHEEL ASSEMBLY ERW-1525B-X22	X	X
16	5070-054BX	DRIVE BELT 48.875" LONG	X	X
17	142-104BX	ERV WHEEL HUB COVER	X	X
18	1012-164	#6-32X1/2 PHILLIPS PAN HD MACH	2	2
19	8611-111	6-32 ROUND NYLON SPACER	2	2
20	1012-157	WASHER, FLAT SHIM, .625X.265X	7	7

CONTROL ASSEMBLY



Components #9, 11, 12, 22, 23 and 24 NOT used in W*VHY unit models (discard)

Components #25,26 and 27 are for W*VHY unit models only (found in parts bag)

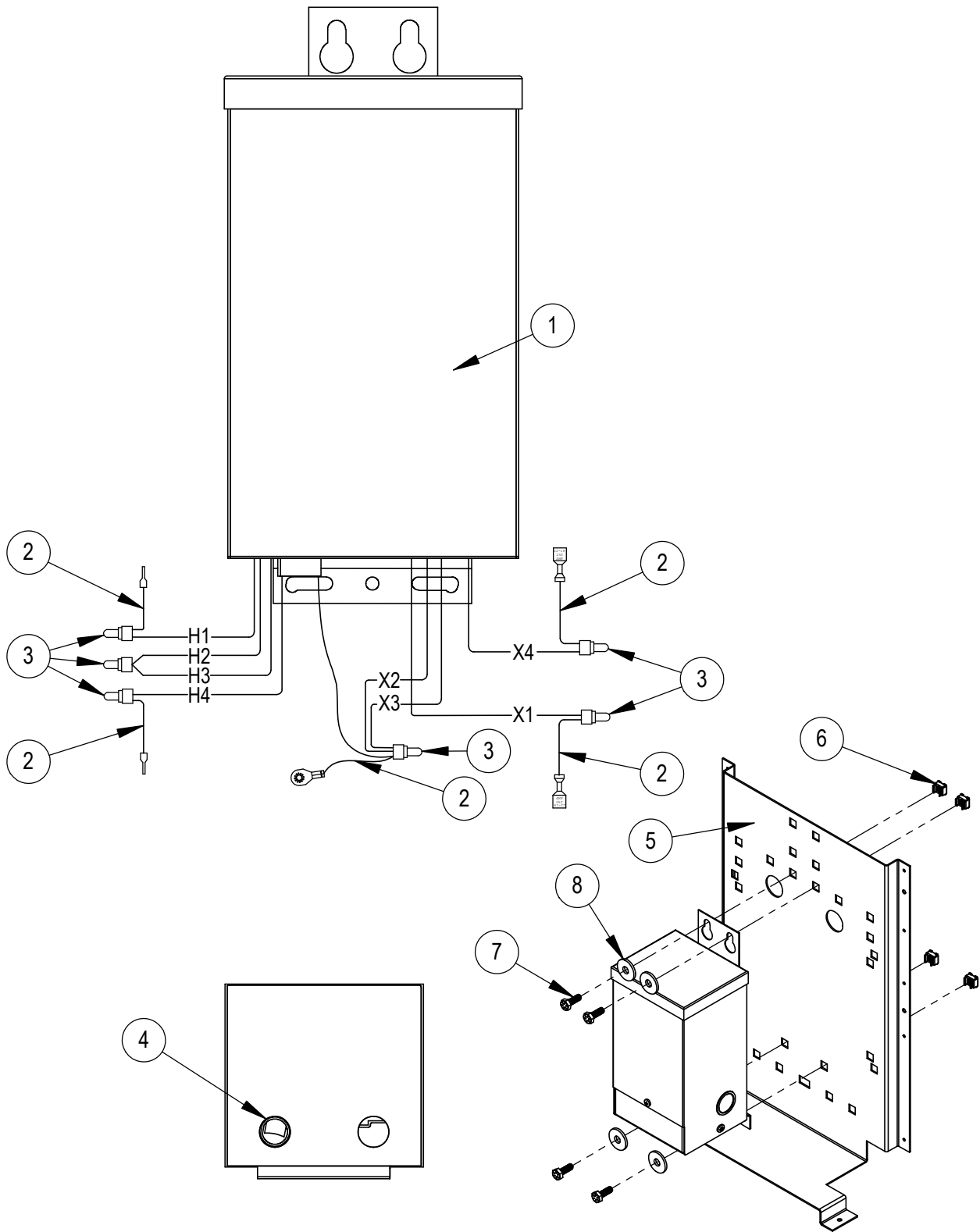
CONTROL ASSEMBLY

Drawing No.	Part No.	Description	ERV-FA5	ERV-FC5	ERV-FT5
1	127-576BX	VENT CONTROL BASE	X	X	X
2	113-786BX	PLUG SUPPORT BRACKET	X	X	X
3	8552-073BX	CAPACITOR 1.5MFD 440VAC	2	2	2
4	8201-086BX	RELAY, DPDT, 3FLA@480V	X	X	X
5	8607-068BX	TERMINAL BLOCK-2 TERM-5 QC EA	X	X	X
6	1012-066	SCREW, TYPEAB PZPNHD #8 18X3/4	X	X	X
7	1012-065	SCREW, TYPEAB PZPNHD #8 18X3/8	6	6	6
8	1012-099	#6-32 X 3/4 PAN HD TYPE1 STEEL	3	3	3
9*	3000-1629BX	WIRE ASSEMBLY	X	X	
10	3000-1630BX	WIRE ASSEMBLY	X	X	X
11	3018-2177	WIRE	X		
11*	3018-2175	WIRE		X	
12	3018-2178	WIRE	X		
12*	3018-2176	WIRE		X	
13	3018-1165	AE2-05-YY	X	X	X
14	8611-106	POWER LOCK MOUNTING ADAPTER	3	3	3
15	8611-107	BLACK POWER LOCK CONNECTOR	4	4	4
16	8611-108	RED POWER LOCK CONNECTOR	2	2	2
17	8611-109	BLUE POWER LOCK CONNECTOR	2	2	2
18	3018-1122	WIRE	2	2	2
19	7961-650	BLOWER SPEED LABEL	X	X	X
20	7950-012	PUSH MOUNT CABLE TIE 6-1/8"	2	2	2
22*	8614-058BX	2-POLE FUSE HOLDER		X	
23*	8611-210BX	35MM DIN RAIL		X	
24*	8614-053BX	1.5A FUSE		X	
25	3018-2175	WIRE	X		
25	3018-2177	WIRE			X
26	3018-2176	WIRE	X		
26	3018-2178	WIRE			X
27	3018-2433	WIRE	X		X

* Components #9, 11, 12, 22, 23 and 24 NOT used in W*VHY unit models (discard)

Components #25,26 and 27 are for W*VHY unit models only (found in parts bag)

TRANSFORMER ASSEMBLY - 460V ONLY (ERV-FC5)

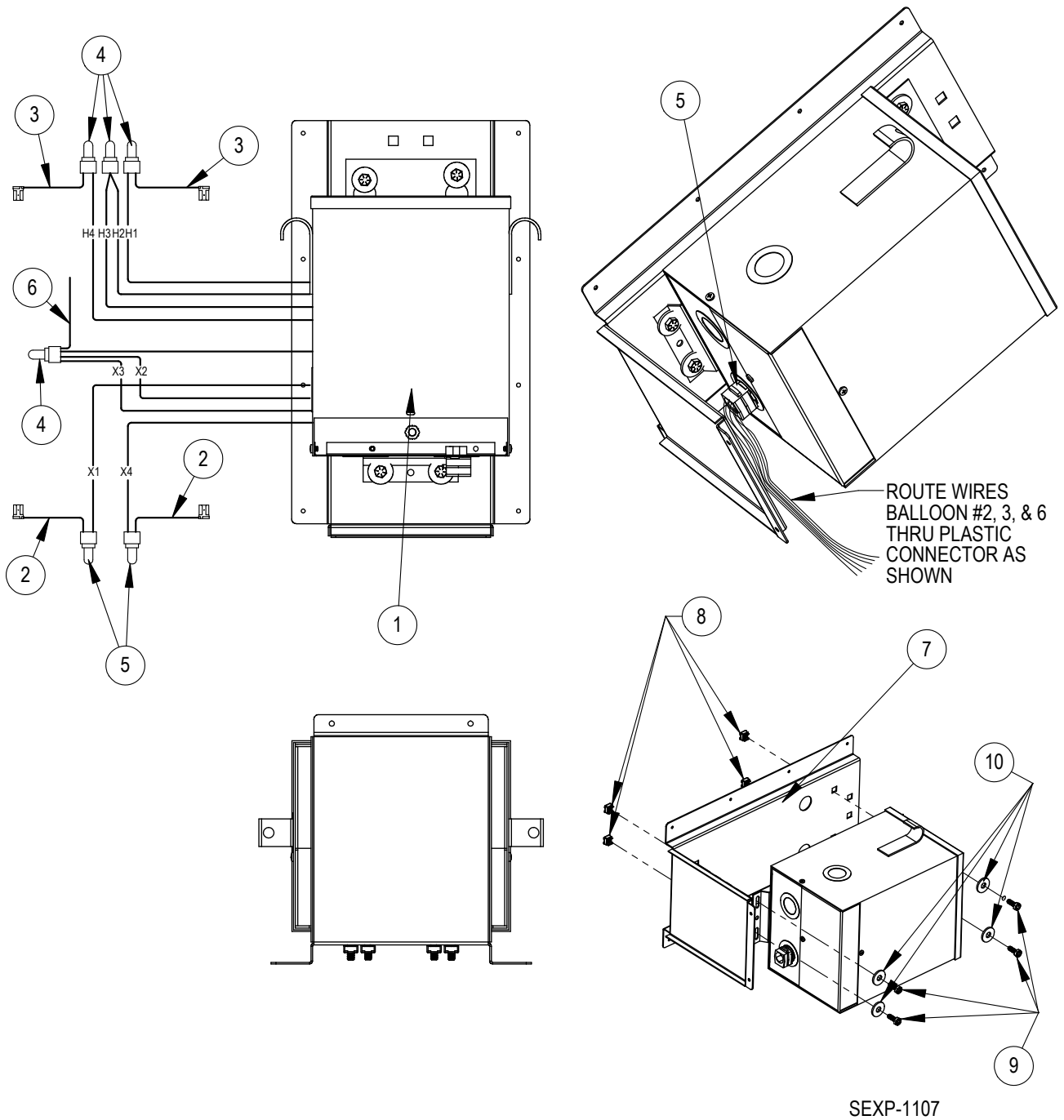


SEXP-982 A

TRANSFORMER ASSEMBLY – 460V ONLY (ERV-FC5)

Drawing No.	Part No.	Description	ERV-FC5
1	8407-059BX	STEPDOWN TRANS.480/240V 0.5KVA	1
2	3000-1650BX	WIRE ASSEMBLY	2
3	8611-007	SOLDERLESS TERMINAL	6
4	8611-046	PLASTIC CONNECTOR 1/2"	1
5	113-324BX	TRANSFORMER MOUNTING PLATE	1
6	1012-218	1/4 - 20 CAGE NUT	4
7	1012-051	HEX HEAD BOLT 1/4 - 20 X 3/4	4
8	1012-109	5/16" WASHER .340 ID,1.00 OD	4

TRANSFORMER ASSEMBLY – 460V ONLY (ERV-FT5)



SEXP-1107

TRANSFORMER ASSEMBLY – 460V ONLY (ERV-FT5)

Drawing No.	Part No.	Description	ERV-FT5
1	8407-005BX	STEPDOWN TRANS. 480/240V 3KVA	1
2	3016-346	BC2-102-QQ2-230	2
3	3016-347	BA2-102-QQ2-460	2
4	8611-007	SOLDERLESS TERMINAL	6
5	8611-046	PLASTIC CONNECTOR 1/2"	1
6	3018-2234	AF2-10-QL	1
7	113-984BX	TRANSFORMER MOUNTING PLATE	1
8	1012-218	1/4 - 20 CAGE NUT	4
9	1012-051	HEX HEAD BOLT 1/4 - 20 X 3/4	2
10	1012-109	5/16" WASHER .340 ID, 1.00 OD	2
NS	1012-086	SCREW, TYPE AB HXWHD#10-16X1/2	5