
REPLACEMENT PARTS MANUAL

WALL MOUNT ENERGY RECOVERY VENTILATOR

Models:
ERV-FA5 ERV-FC5

Contents

Description	Page	Description	Page
Upper Blower Wrapper Assembly		Control Assembly	
♦ Exploded View	2	♦ Layout View	16
♦ Usage List	3	♦ Usage List	17
Upper Blower Assembly		Transformer Assembly – 460V Only	
♦ Exploded View	4	♦ Exploded View	18
♦ Usage List	5	♦ Usage List	19
Lower Blower Wrapper Assembly			
♦ Exploded View	6		
♦ Usage List	7		
Lower Blower Assembly			
♦ Exploded View	8		
♦ Usage List	9		
Cassette Fill and Support			
♦ Exploded View	10		
♦ Usage List	11		
Cassette Components			
♦ Exploded View	12		
♦ Usage List	13		

General Notes

- Revised and/or additional pages may be issued from time to time.
- A complete and current manual consists of pages shown in the following contents section.

Important

- Contact the installing and/or local Bard distributor for all parts requirements. Make sure to have the complete model and serial number available from the unit rating plates.

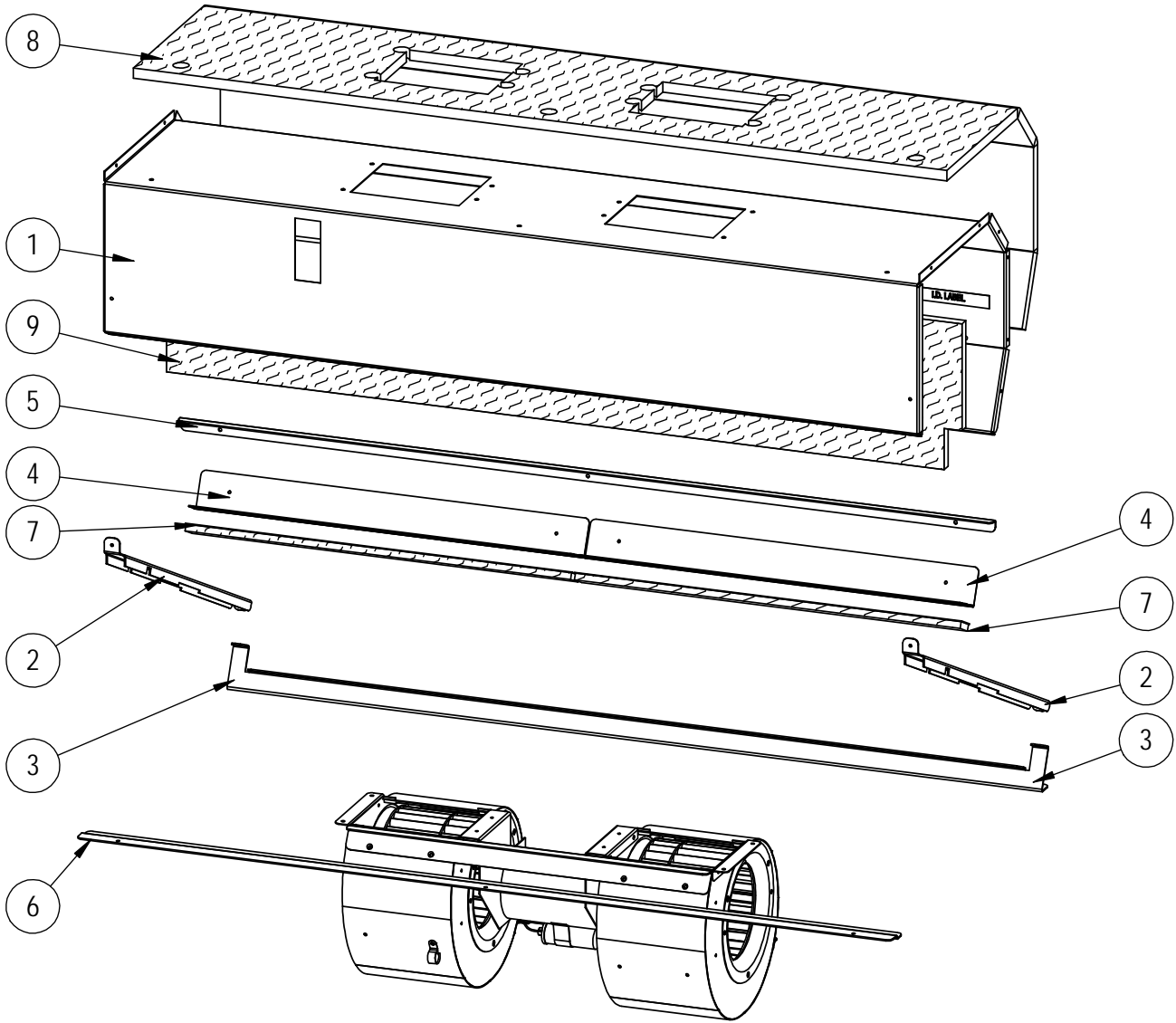


Climate Control Solutions

Bard Manufacturing Company, Inc.
Bryan, Ohio 43506
www.bardhvac.com

Manual: 2110-1130
Supersedes: **NEW**
Date: 6-13-19

UPPER BLOWER WRAPPER ASSEMBLY

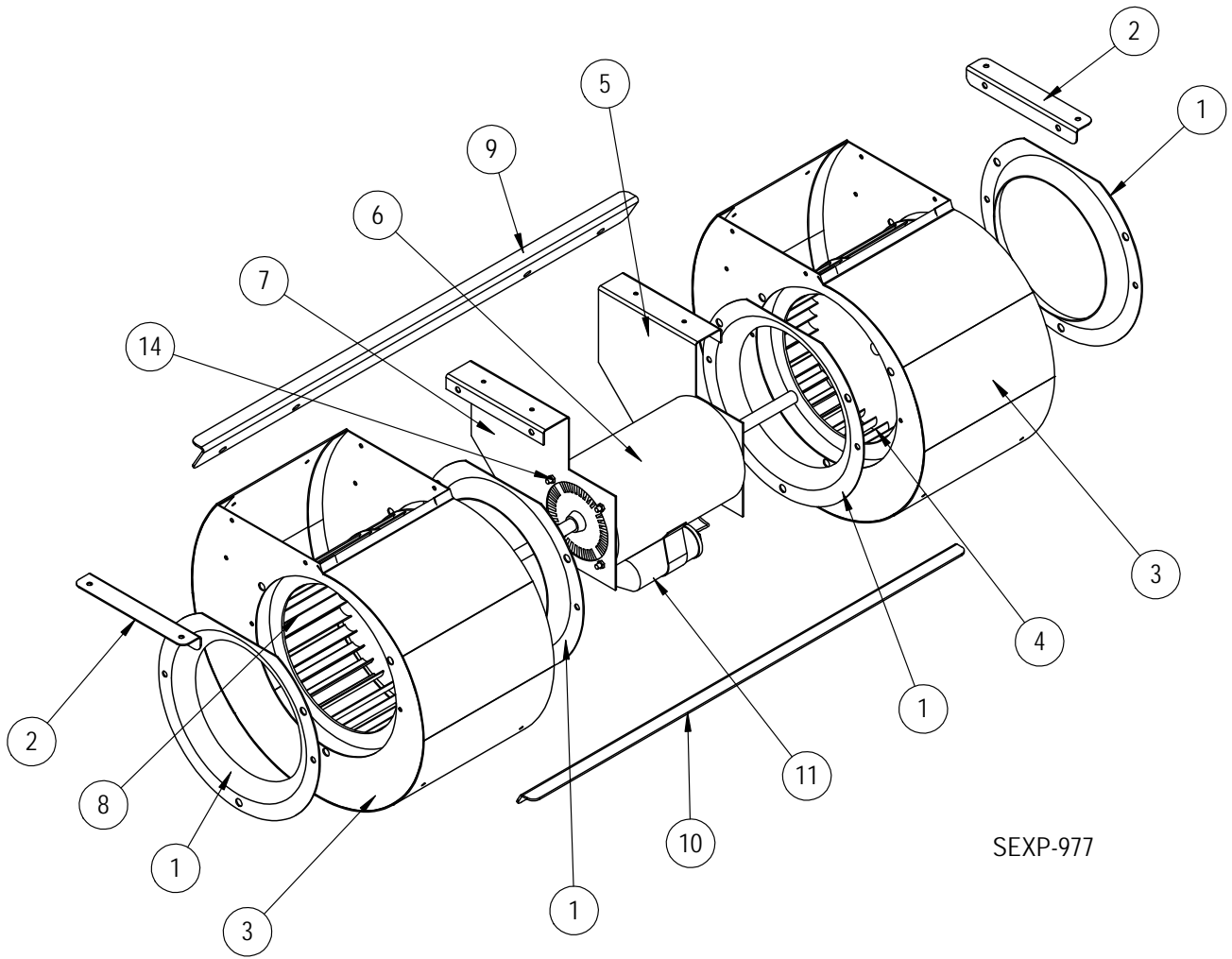


SEXP-980

UPPER BLOWER WRAPPER ASSEMBLY

Drawing No.	Part No.	Description	ERV-FA5	ERV-FC5
1	139-429	UPPER ERV WRAPPER	X	X
2	113-776	END SUPPORT BRACKET	2	2
3	113-777	REAR SLIDE BRACKET	X	X
4	105-1467	SEAL ADJUSTMENT ANGLE	2	2
5	141-506	BLOWER SLIDE ANGLE	X	X
6	147-056	BLOWER SLIDE OFFSET	X	X
7	1921-052-1900	19" PILE SEAL	2	2
8	5021-2553	INSULATION	X	X
9	5021-2552	INSULATION	X	X

UPPER BLOWER ASSEMBLY

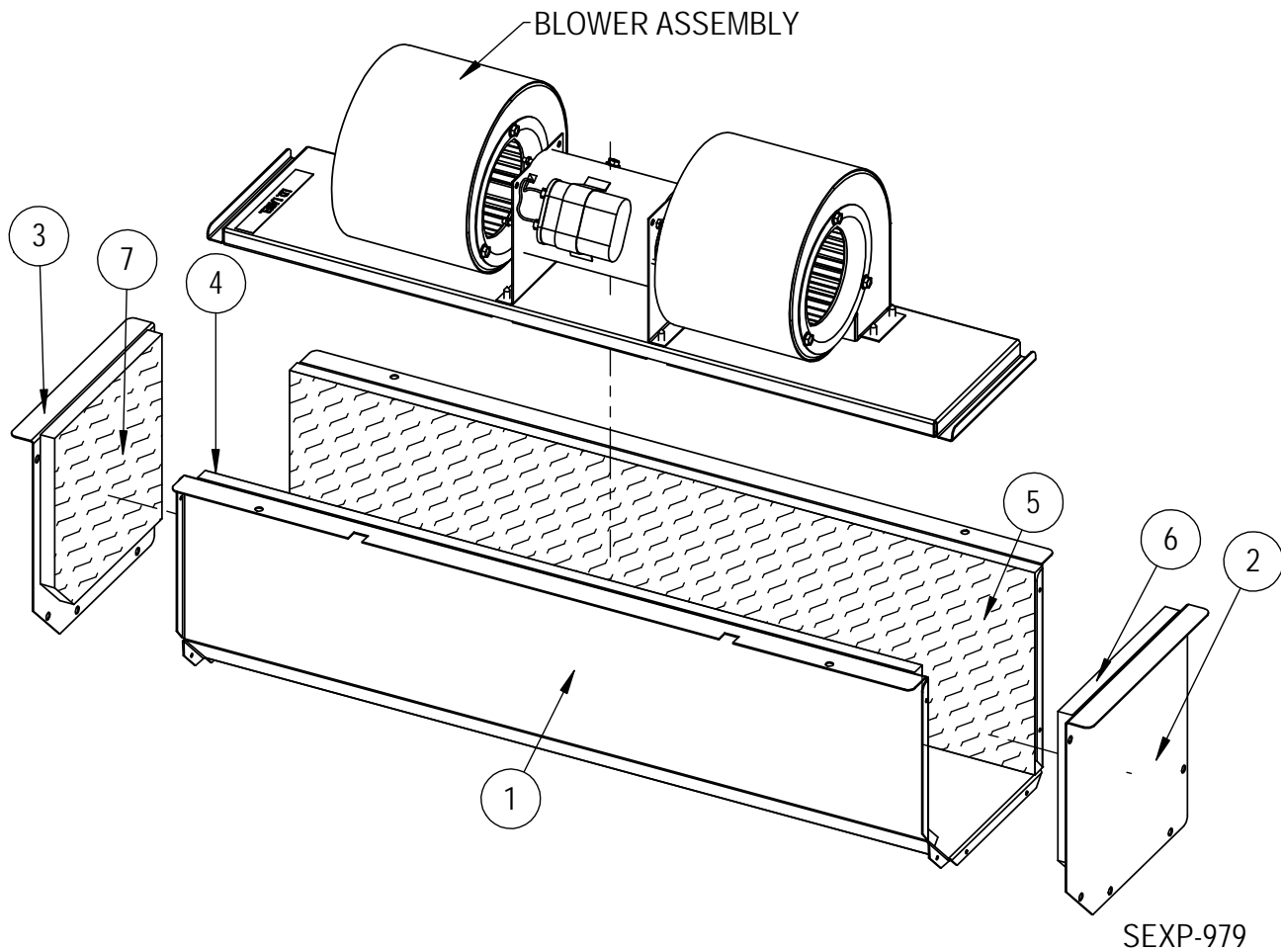


SEXP-977

UPPER BLOWER ASSEMBLY

Drawing No.	Part No.	Description	ERV-FA5	ERV-FC5
1	144-180	INLET PLATE	4	4
2	105-1463	BLOWER SIDE ANGLE	2	2
3	151-127	BLOWER HOUSING ASSEMBLY	2	2
4	5152-094	BLOWER WHEEL C525-400D CCW	X	X
5	113Y274	LEFT BLOWER MOTOR SUPPORT	X	X
6	8101-019	MOTOR 1/10 HP 230/208 3SP	2	2
7	113X274	RIGHT BLOWER MOTOR SUPPORT	X	X
8	5152-095	BLOWER WHEEL C525-400D CW	X	X
9	105-1464	SLIDE ANGLE - OUTLET	X	X
10	105-1465	SLIDE ANGLE - WRAPPER	X	X
11	8552-002	CAPACITOR	X	X
12	1012-153	8-32 HEX FLANGE NUT W/LOCKING	2	2
14	1012-220	FLANGE NUT	8	8

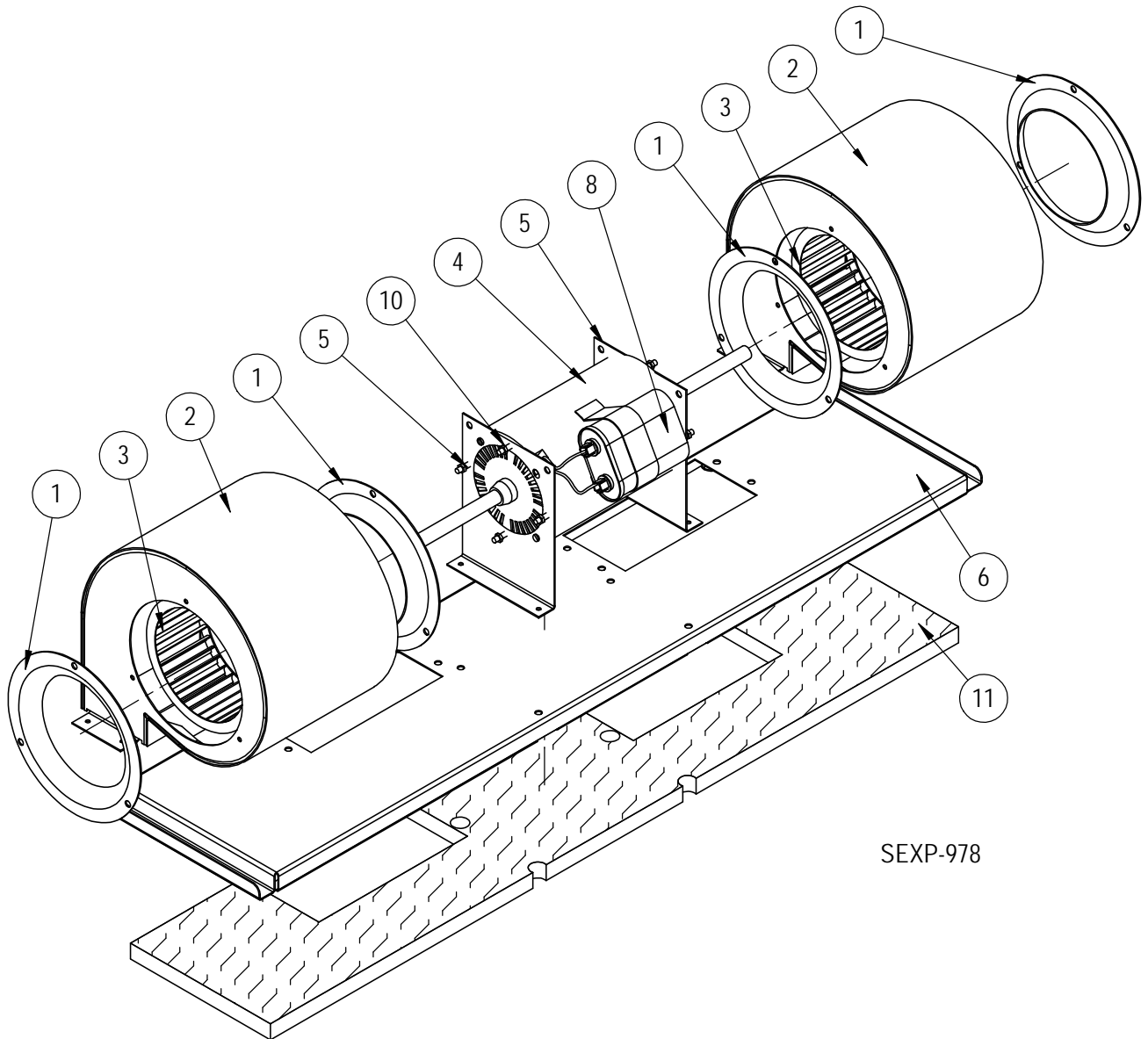
LOWER BLOWER WRAPPER ASSEMBLY



LOWER BLOWER WRAPPER ASSEMBLY

Drawing No.	Part No.	Description	ERV-FA5	ERV-FC5
1	139-427	WRAPPER	X	X
2	101X1057	END PLATE - RH	X	X
3	101Y1057	END PLATE - LH	X	X
4	5021-2733	INSULATION	X	X
5	5021-2544A	INSULATION	X	X
6	5021-2545	INSULATION	X	X
7	5021-2546	INSULATION	X	X

LOWER BLOWER ASSEMBLY

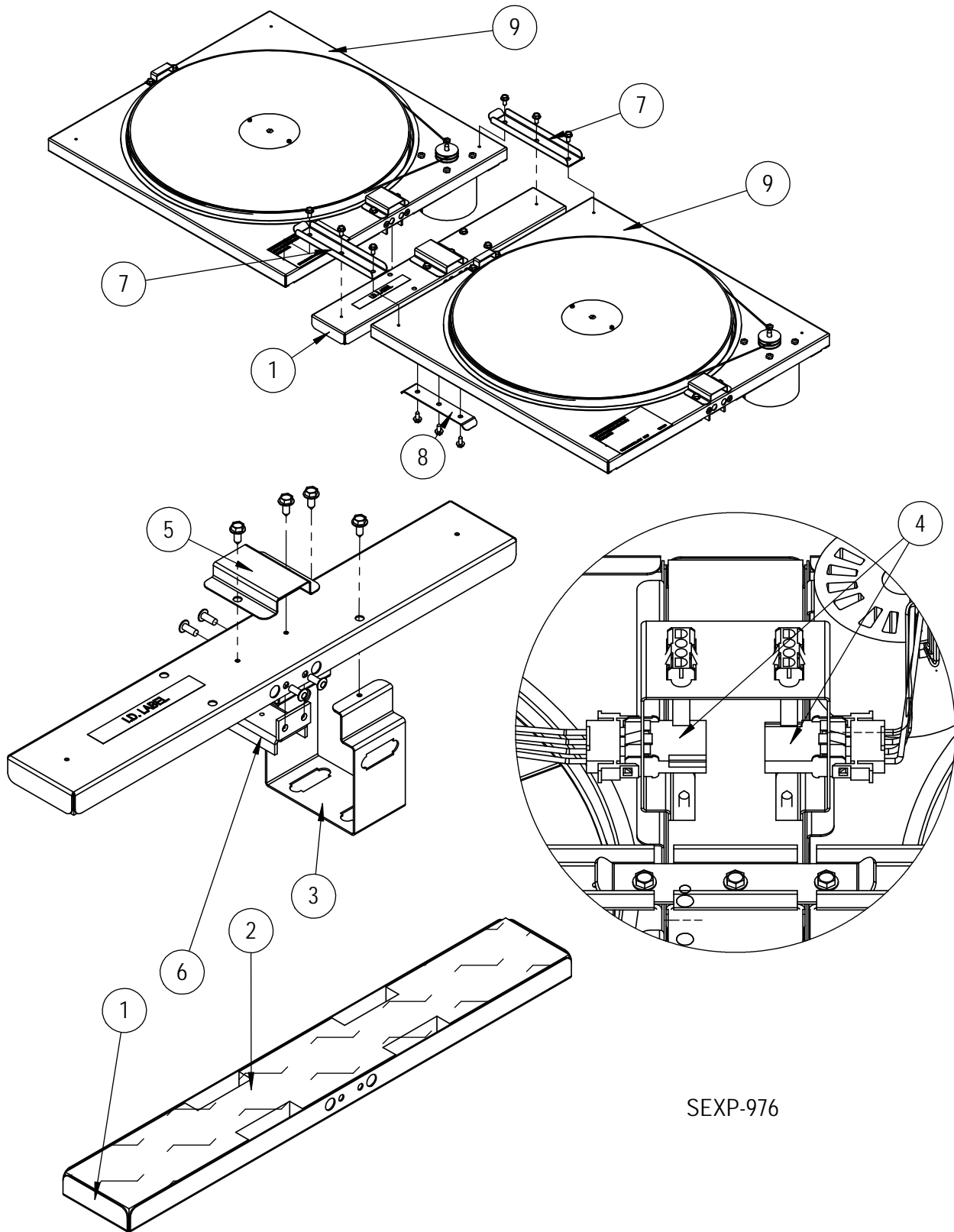


SEXP-978

LOWER BLOWER ASSEMBLY

Drawing No.	Part No.	Description	ERV-FA5	ERV-FC5
1	144-188	INLET RING	4	4
2	151-119	BLOWER HOUSING ASSEMBLY	2	2
3	5152-078	BLOWER WHEEL CW 3/8" 97MM-94MM	2	2
4	910-2067	MOTOR 1/10 HP 230/208 3SP	X	X
5	129-018	MOTOR MOUNT	2	2
6	141-503	BLOWER MOUNTING PLATE	X	X
7	1012-004	16X1/2	8	8
8	8552-001	CAPACITOR	X	X
10	1012-220	8-32 HEX FLANGE NUT W/LOCKING	8	8
11	5021-2543	INSULATION	X	X

CASSETTE FILL AND SUPPORT

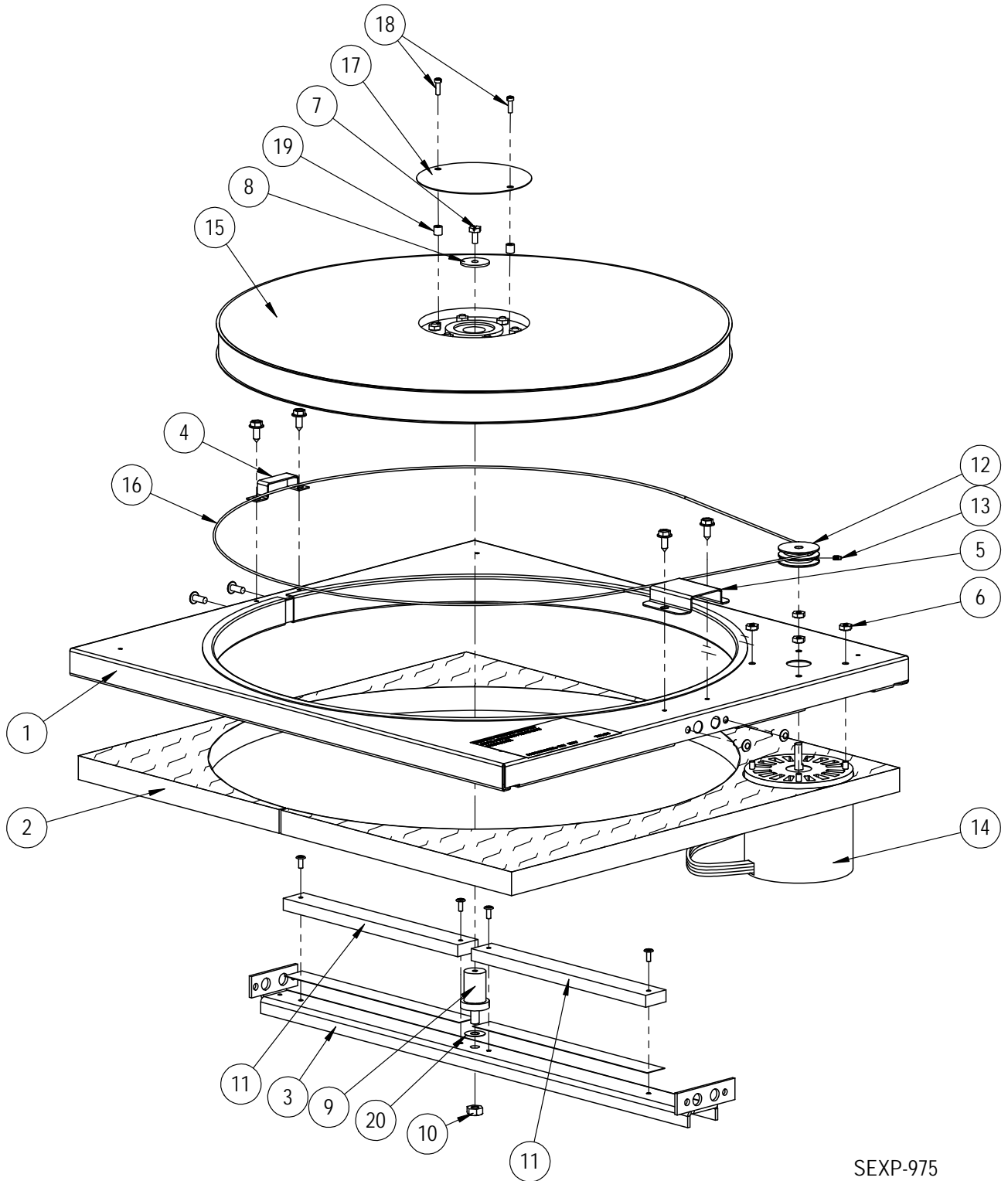


SEXP-976

CASSETTE FILL AND SUPPORT

Drawing No.	Part No.	Description	ERV-FA5	ERV-FC5
1	143-226	FILL PLATE	X	X
2	5021-2542A	INSULATION	X	X
3	113-782	PLUG BRACKET	X	X
4	3000-1633	WIRE ASSEMBLY	2	2
5	113-778	TOP FILL BRACKET	X	X
6	113-779	BOTTOM FILL BRACKET	X	X
7	143-227	CONNECTOR STRAP	2	2
8	143-232	BOTTOM CENTER STRAP	X	X
9	5070-059	CASSETTE ASSEMBLY	2	2

CASSETTE COMPONENTS

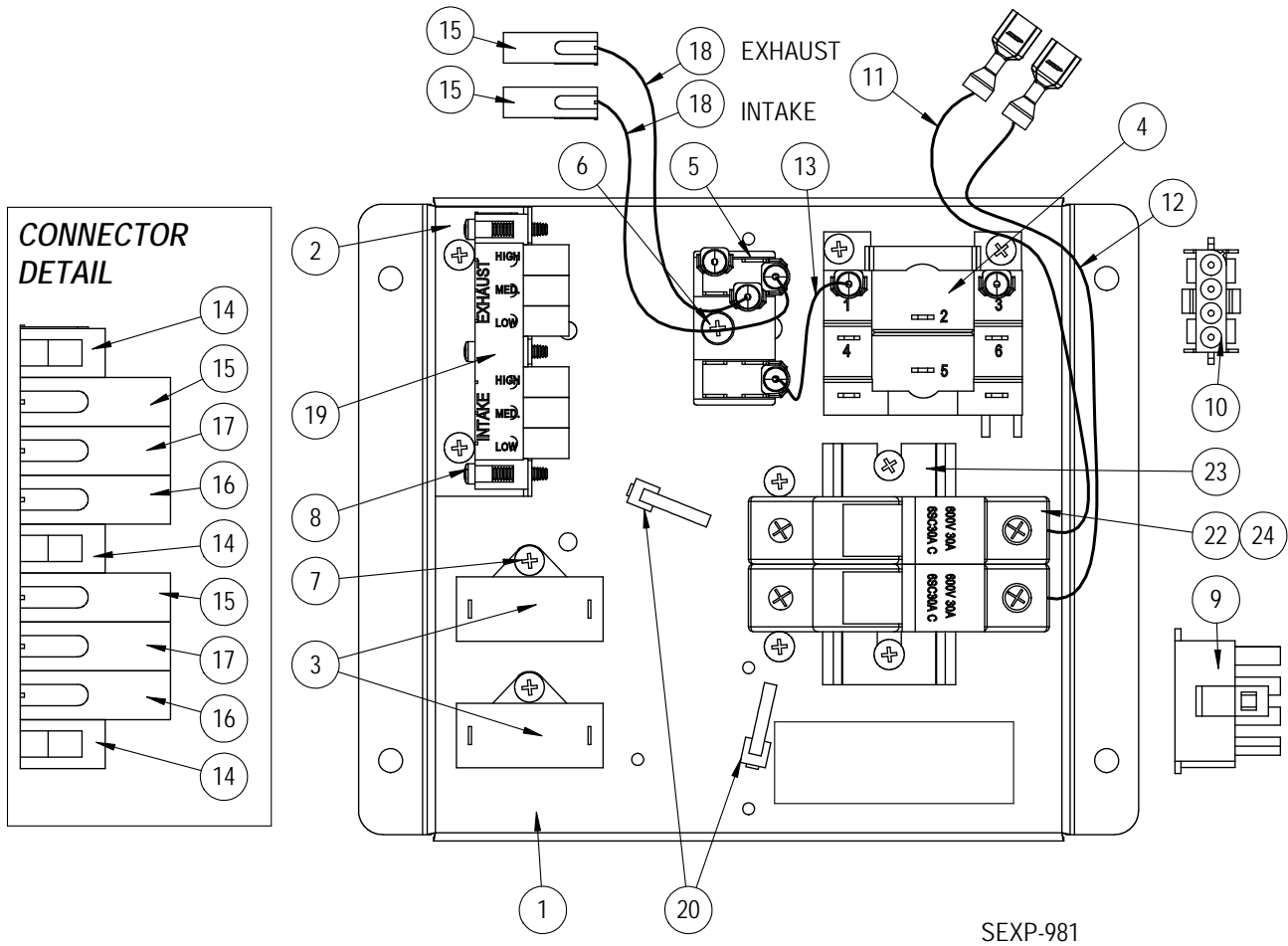


SEXP-975

CASSETTE COMPONENTS

Drawing No.	Part No.	Description	ERV-FA5	ERV-FC5
1	139-425	CASSETTE PLATE ASSEMBLY	X	X
2	5021-2541	INSULATION	X	X
3	141-502	SUPPORT BAR	X	X
4	113-780	TOP FILL BRACKET - SMALL	X	X
5	113-781	TOP FILL BRACKET - LARGE	X	X
6	1012-215	#8-32 STEEL HEX NUT W/EXTERNAL	4	4
7	1012-071	#10-32 X 3/8 HEX HEAD BOLT	X	X
8	1012-154	WASHER #10 FLAT,.875X.203X.062	X	X
9	1912-012	SHAFT, WHEEL BEARING	X	X
10	1012-201	1/4-20 STEEL KEPS HEX NUT ZINC	X	X
11	1921-052-0708	7-1/2" PILE SEAL	2	2
12	5501-020	DOUBLE PULLEY ROUND DRIVE BELT	X	X
13	1012-156	SET SCREW, M4 X 6MM, CUP PNT	X	X
14	8101-021	MOTOR 1/10HP 230V 1050 RPM, CW	X	X
15	5070-043	WHEEL ASSEMBLY ERW-1525B-X22	X	X
16	5070-054	DRIVE BELT 48.875" LONG	X	X
17	142-104	ERV WHEEL HUB COVER	X	X
18	1012-164	#6-32X1/2 PHILLIPS PAN HD MACH	2	2
19	8611-111	6-32 ROUND NYLON SPACER	2	2
20	1012-157	WASHER, FLAT SHIM, .625X.265X	7	7

CONTROL ASSEMBLY



CONTROL ASSEMBLY

Drawing No.	Part No.	Description	ERV-FA5	ERV-FC5
1	127-576	VENT CONTROL BASE	X	X
2	113-786	PLUG SUPPORT BRACKET	X	X
3	8552-073	CAPACITOR 1.5MFD 440VAC	2	2
4	8201-086	RELAY, DPDT, 3FLA@480V	X	X
5	8607-068	TERMINAL BLOCK-2 TERM-5 QC EA	X	X
6	1012-066	SCREW, TYPEAB PZPNHD #8 18X3/4	X	X
7	1012-065	SCREW, TYPEAB PZPNHD #8 18X3/8	6	6
8	1012-099	#6-32 X 3/4 PAN HD TYPE1 STEEL	3	3
9	3000-1629	WIRE ASSEMBLY	X	X
10	3000-1630	WIRE ASSEMBLY	X	X
11	3018-2177	WIRE	X	
11	3018-2175	WIRE		X
12	3018-2178	WIRE	X	
12	3018-2176	WIRE		X
13	3018-1165	AE2-05-YY	X	X
14	8611-106	POWER LOCK MOUNTING ADAPTER	3	3
15	8611-107	BLACK POWER LOCK CONNECTOR	4	4
16	8611-108	RED POWER LOCK CONNECTOR	2	2
17	8611-109	BLUE POWER LOCK CONNECTOR	2	2
18	3018-1122	WIRE	2	2
19	7961-650	BLOWER SPEED LABEL	X	X
20	7950-012	PUSH MOUNT CABLE TIE 6-1/8"	2	2
22	8614-058	2-POLE FUSE HOLDER		X
23	8611-210	35MM DIN RAIL		X
24	8614-053	1.5A FUSE		X

TRANSFORMER ASSEMBLY – 460V ONLY

Drawing No.	Part No.	Description	ERV-FC5
1	8407-059	STEPDOWN TRANS.480/240V 0.5KVA	1
2	3000-1650	WIRE ASSEMBLY	2
3	8611-007	SOLDERLESS TERMINAL	6
4	8611-046	PLASTIC CONNECTOR 1/2"	1
5	113-324	TRANSFORMER MOUNTING PLATE	1
6	1012-218	1/4 - 20 CAGE NUT	4
7	1012-051	HEX HEAD BOLT 1/4 - 20 X 3/4	4
8	1012-109	5/16" WASHER .340 ID,1.00 OD	4