
REPLACEMENT PARTS MANUAL

Economizer

Models:

ECON-NC2 ECON-WD2 ECON-DB2
ECON-NC3 ECON-WD3 ECON-DB3

General Notes

- Revised and/or additional pages may be issued from time to time.
- A complete and current manual consists of pages shown in the following contents section.

Important

- Contact the installing and/or local Bard distributor for all parts requirements. Make sure to have the complete model and serial number available from the unit rating plates.

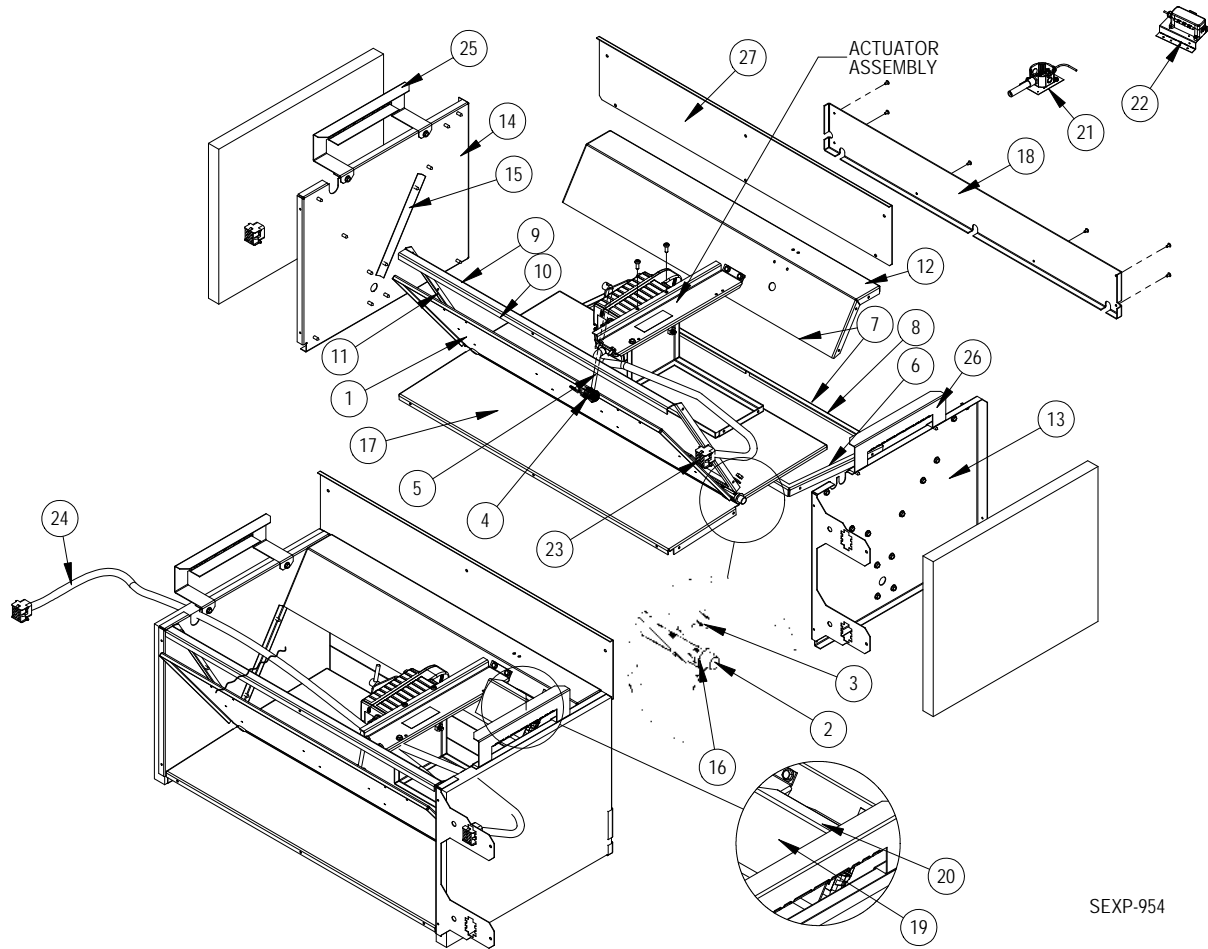
Contents

Description	Page
Economizer	
♦ Exploded View	2
♦ Usage List	3
Blade Assembly	
♦ Exploded View	4
♦ Usage List	5
Control Panel Assembly	
♦ Layout View	6
♦ Usage List	7
Actuator Assembly	
♦ Exploded View	8
♦ Usage List	9
Economizer Air Hood	
♦ Exploded View	10
♦ Usage List	11

BMC, Inc.
Bryan, Ohio 43506

Manual : 2110-1133B
Supersedes: 2110-1133A
Date: 12-16-22

ECONOMIZER



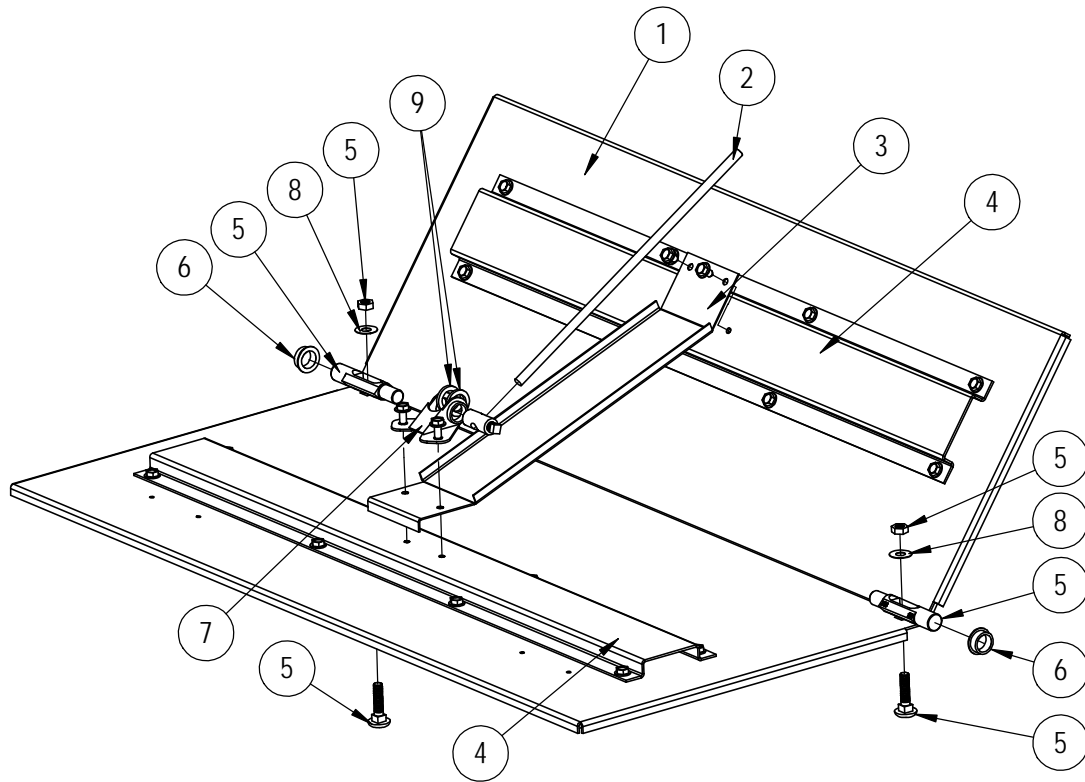
SEXP-954

ECONOMIZER

Dwg. No.	Part No.	Description	ECON-NC2	ECON-WD2	ECON-DB2	ECON-NC3	ECON-WD3	ECON-DB3
1	S139-394	Blade Assembly	X	X	X			
1	S139-393	Blade Assembly				X	X	X
2	8602-038	DBP-1 Damper Pin with Bolt, Washer and Nut	2	2	2	2	2	2
3	1012-126	1/4" Type "A" Washer	2	2	2	2	2	2
4	8602-040	BKP-24 Bracket with Rod Connector and Set Screw	X	X	X	X	X	X
5	8602-044	1/4" x 7-1/2" Rod	X	X	X	X	X	X
6	137-744	Lower Rear Partition	X	X	X			
6	137-740	Lower Rear Partition				X	X	X
7	S1921-067-2010	Damper Blade Seal	3	3	3			
7	S1921-067-2510	Damper Blade Seal				3	3	3
8	S1921-067-0802	Damper Blade Seal	2	2	2	2	2	2
9	137-866	Upper Front Partition	X	X	X			
9	137-867	Upper Front Partition				X	X	X
10	S1921-067-2006	Damper Blade Seal	2	2	2			
10	S1921-067-2504	Damper Blade Seal				2	2	2
11	S1921-067-1004	Damper Blade Seal	2	2	2	2	2	2
12	137-864	Upper Rear Partition	X	X	X			
12	137-865	Upper Rear Partition				X	X	X
13	S101-990	Right Side Assembly, Insulated		X	X		X	X
13	S101-1036	Right Side Assembly, Insulated	X			X		
14	S101-978	Left Side Assembly, Insulated	X	X	X	X	X	X
15	S1921-067-0800	Damper Blade Seal	2	2	2	2	2	2
16	8602-052	1/2" I.D. Bronze Bushing	2	2	2	2	2	2
17	137-742	Lower Front Partition	X	X	X			
17	137-738	Lower Front Partition				X	X	X
18	137-747	Lower Rear Fill	2	2	2			
18	137-745	Lower Rear Fill				2	2	2
19	8602-058	Mixed Air Temperature Sensor, 20K	X	X	X	X	X	X
20	113-433	Sensor Bracket	X	X	X	X	X	X
21	910-1898	Outdoor Temperature Sensor Assembly (Optional)	X			X		
21	910-1979	Outdoor Temperature Sensor Assembly			X			X
22	910-1980	Outdoor Enthalpy Sensor Assembly		X			X	
23	3000-1646	Wire Assembly, Connection to Unit Low Voltage (RH Models)	X			X		
23	3000-1628	Wire Assembly, Connection to Unit Low Voltage (RH Models)		X	X		X	X
24	3000-1526	Wire Assembly, Connection to Unit Low Voltage (LH Models)	X	X	X	X	X	X
25	113-542	Long Filter Bracket	X	X	X	X	X	X
26	113-543	Short Filter Bracket	X	X	X	X	X	X
27	137-748	Upper Rear Fill	X	X	X			
27	137-746	Upper Rear Fill				X	X	X
NS	3000-1525	Wire Assembly, Connection to Unit Low Voltage (RH Models)		X	X		X	X
NS	S136-664	Condenser Cover Plate	X	X	X			
NS	S136-751	Condenser Cover Plate				X	X	X

NS – Not Shown

BLADE ASSEMBLY

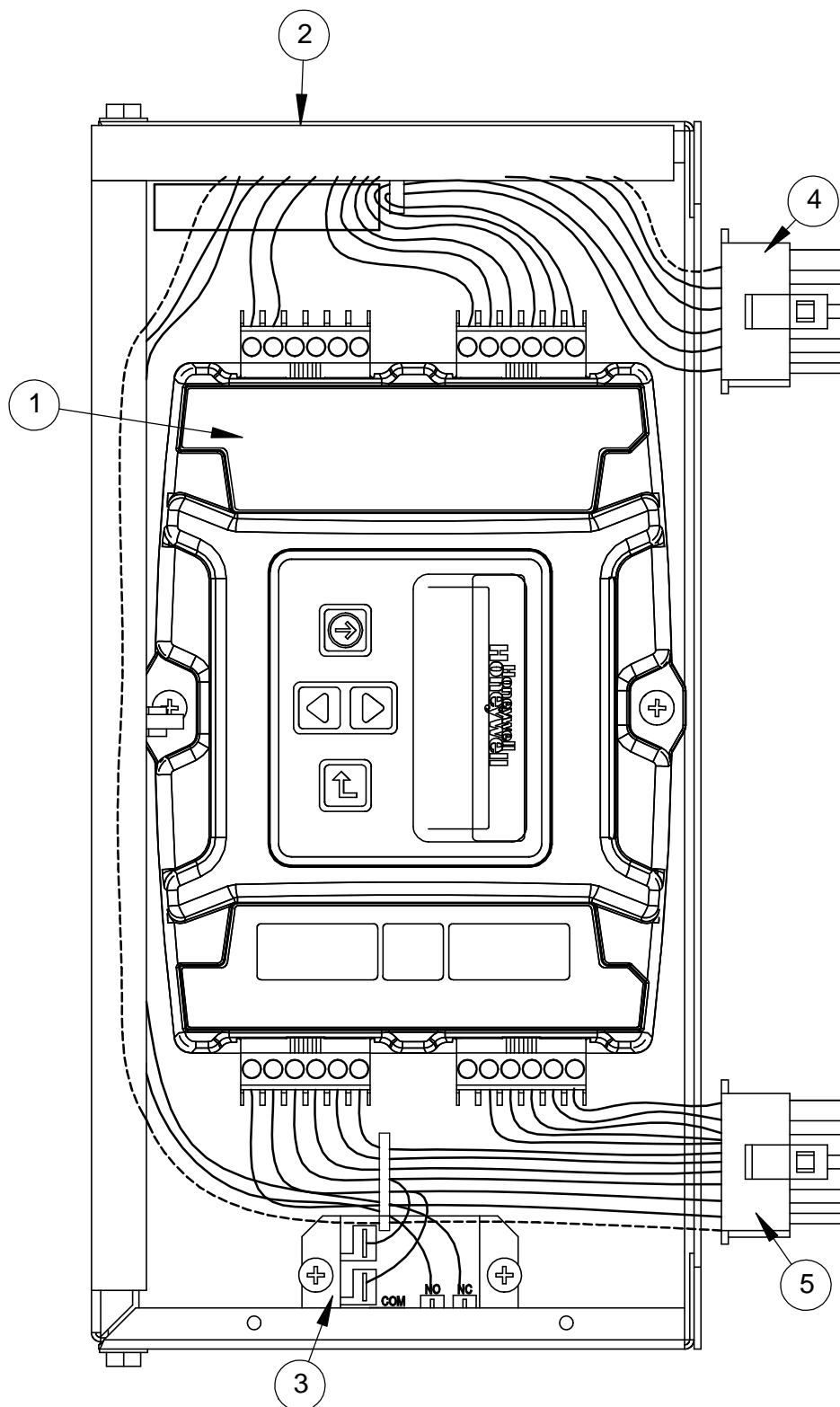


SEXP-918

BLADE ASSEMBLY

Dwg. No.	Part No.	Description	ECON-NC2	ECON-WD2	ECON-DB2	ECON-NC3	ECON-WD3	ECON-DB3
1	139-394	Blade	X			X		
1	139-393	Blade		X	X		X	X
2	8602-042	1/4 x 6" Rod	X	X	X	X	X	X
3	139-403	Support Bracket	X	X	X	X	X	X
4	141-433	Blade Support	2			2		
4	141-430	Blade Support		2	2		2	2
5	8602-038	Damper Pin With Hardware	2	2	2	2	2	2
6	8602-052	1/2" I.D. Bronze Bushing	2	2	2	2	2	2
7	8602-040	BKP-24 Bracket	X	X	X	X	X	X
8	1012-157	Washer	2	2	2	2	2	2
9	1012-348	1/2"x 3/4" Nylon Flat Washer	2	2	2	2	2	2

CONTROL PANEL ASSEMBLY

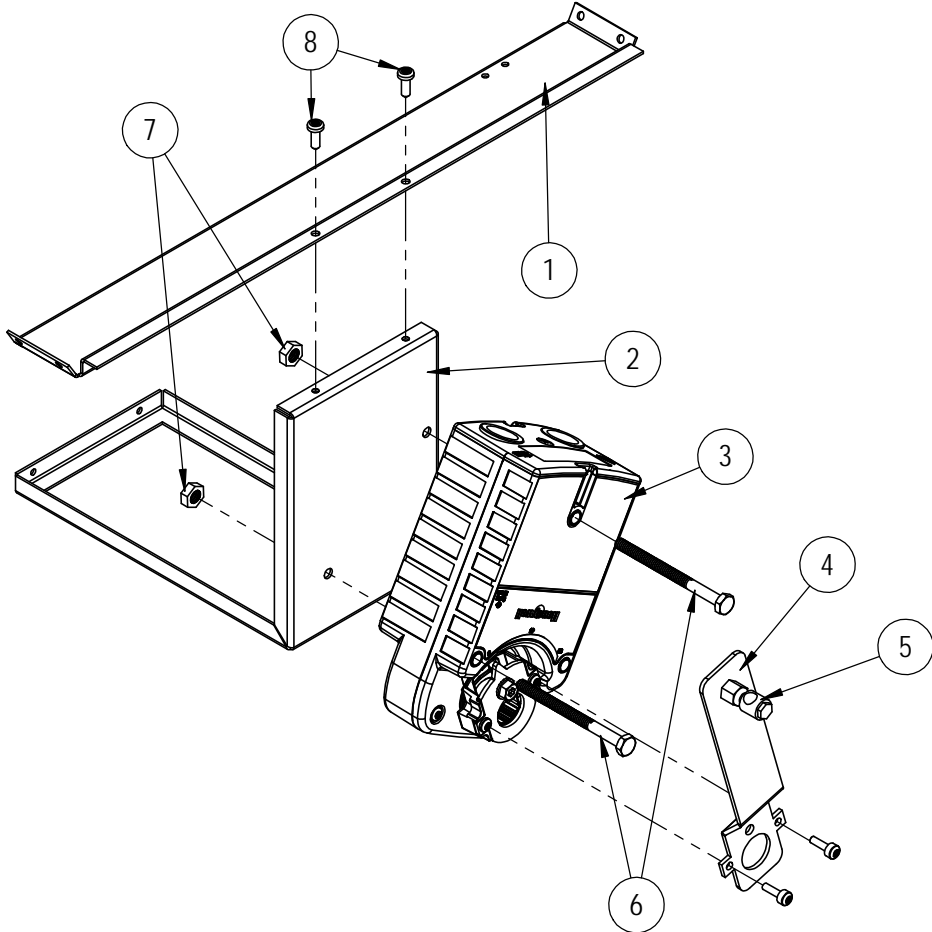


SEXP-749

CONTROL PANEL ASSEMBLY

Dwg. No.	Part No.	Description	ECON-NC2	ECON-WD2	ECON-DB2	ECON-NC3	ECON-WD3	ECON-DB3
1	S8602-056-0003A	Programmed JADE Economizer Module	N/A	X	X	N/A	X	X
2	117-354	Control Panel	N/A	X	X	N/A	X	X
3	8201-130	Relay, SPDT Pilot Duty	N/A	X	X	N/A	X	X
4	3000-1477	Wire Assembly	N/A	X	X	N/A	X	X
5	3000-1657	Wire Assembly	N/A	X	X	N/A	X	X

ACTUATOR ASSEMBLY

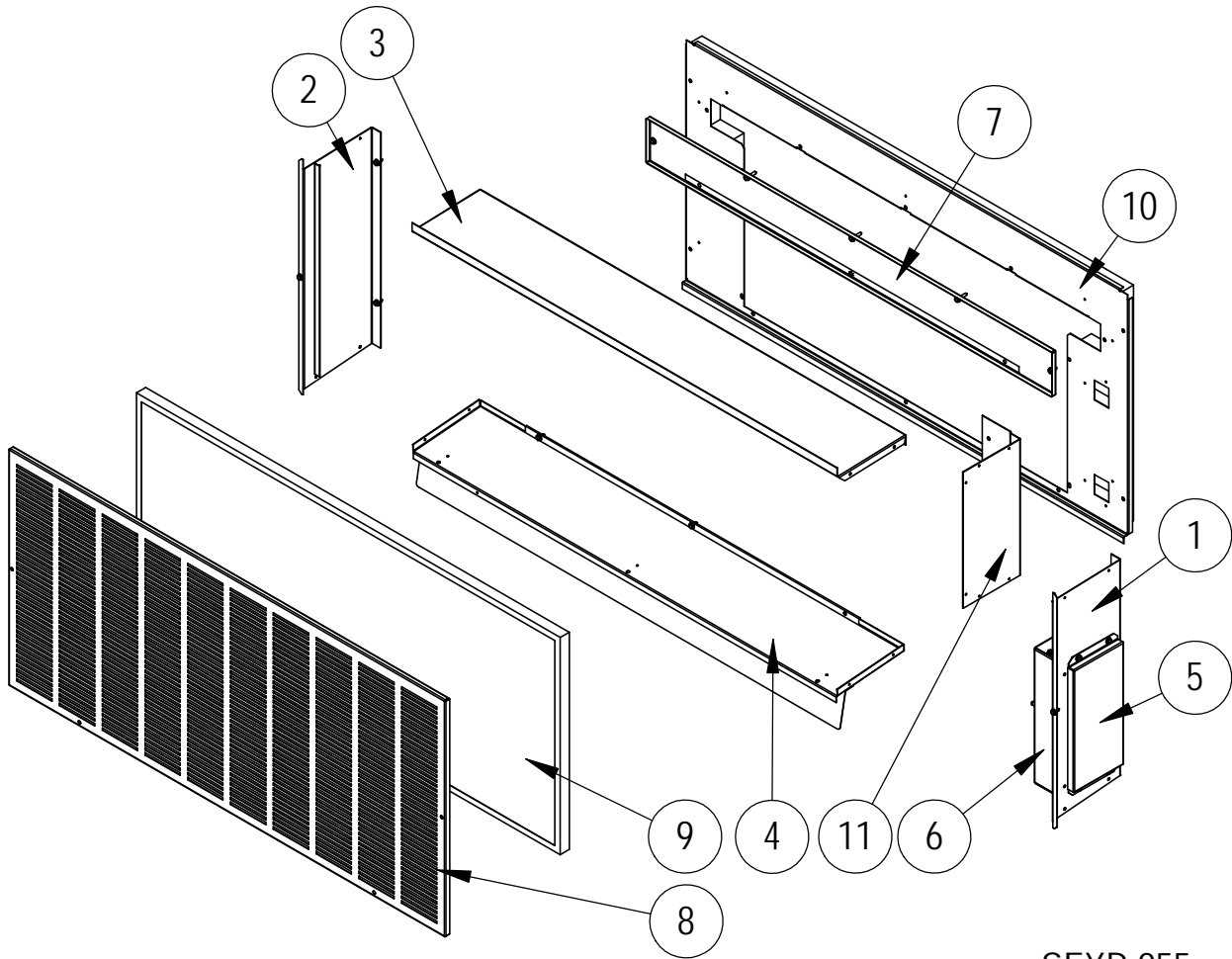


SEXP-917

ACTUATOR ASSEMBLY

Dwg. No.	Part No.	Description	ECON-NC2	ECON-WD2	ECON-DB2	ECON-NC3	ECON-WD3	ECON-DB3
1	141-464	Actuator Support	X	X	X	X	X	X
2	141-491	Actuator Support Plate	X			X		
2	141-490	Actuator Support Plate		X	X		X	X
3	8602-069	Direct Coupled Actuator	X	X	X			
3	8602-059	Direct Coupled Actuator-SYLK				X	X	X
4	113-707	Actuator Arm	X	X	X	X	X	X
5	8602-008	Ball Joint	X	X	X	X	X	X
6	1012-174	1/4"-20X3-1/4 hex cap Screw	2	2	2	2	X	2
7	1012-202	1/4-20 Steel Keps Hex Nut	2	2	2	2	X	2
8	1012-128	10-16X5/8" Torx PANHD Platinum	2	2	2	2	2	2

ECONOMIZER AIR HOOD



SEXP-955

ECONOMIZER AIR HOOD

Dwg. No.	Part No.	Description	ECON-NC2	ECON-WD2	ECON-DB2	ECON-NC3	ECON-WD3	ECON-DB3
1	S101-872-* ①	Right Side	X	X	X	X	X	X
1	S101-883 ②	Right Side	X	X	X	X	X	X
1	S101-881 ③	Right Side	X	X	X	X	X	X
2	101-873-* ①	Left Side	X	X	X	X	X	X
2	S101-884 ②	Left Side	X	X	X	X	X	X
2	S101-882 ③	Left Side	X	X	X	X	X	X
3	S107-345-* ①	Hood Top	X	X	X			
3	S107-355 ②	Hood Top	X	X	X			
3	S107-356 ③	Hood Top	X	X	X			
3	S107-346-* ①	Hood Top				X	X	X
3	S107-354 ②	Hood Top				X	X	X
3	S107-353 ③	Hood Top				X	X	X
4	S127-494-* ①	Hood Bottom	X	X	X			
4	S127-502 ②	Hood Bottom	X	X	X			
4	S127-503 ③	Hood Bottom	X	X	X			
4	S127-495-* ①	Hood Bottom				X	X	X
4	S127-501 ②	Hood Bottom				X	X	X
4	S127-500 ③	Hood Bottom				X	X	X
5	S133-262-* ①	Control Panel Cover	X	X	X	X	X	X
5	S133-269 ②	Control Panel Cover	X	X	X	X	X	X
5	S133-270 ③	Control Panel Cover	X	X	X	X	X	X
6	See page 6	Control Panel Assembly (JADE)		X	X		X	X
7	S553-613	Filter Door	X	X	X			
7	S553-634 ②	Filter Door	X	X	X			
7	S553-631 ③	Filter Door	X	X	X			
7	S553-611	Filter Door				X	X	X
7	S553-632 ②	Filter Door				X	X	X
7	S553-636 ③	Filter Door				X	X	X
8	115-285-* ①	Hood Front	X	X	X			
8	115-292 ②	Hood Front	X	X	X			
8	115-293 ③	Hood Front	X	X	X			
8	115-284-* ①	Hood Front				X	X	X
8	115-291 ②	Hood Front				X	X	X
8	115-290 ③	Hood Front				X	X	X
9	7003-080	Mist Filter (31" X 16" X 1")	X	X	X			
9	7003-079	Mist Filter (36" X 16" X 1")				X	X	X
10	S553-612-* ①	Hood Mounting Door	X	X	X			
10	S553-635 ②	Hood Mounting Door	X	X	X			
10	S553-630 ③	Hood Mounting Door	X	X	X			
10	S553-610-* ①	Hood Mounting Door				X	X	X
10	S553-633 ②	Hood Mounting Door				X	X	X
10	S553-637 ③	Hood Mounting Door				X	X	X
11	143-230	Blank Off Plate	X			X		

- ① Exterior cabinet parts are manufactured with various paint color options. To ensure the proper paint color is received, include the complete model and serial number of the unit for which cabinet parts are being ordered.
- ② Exterior cabinet parts are manufactured from stainless steel Code "S"
- ③ Exterior cabinet parts are manufactured from aluminum Code "A"