
REPLACEMENT PARTS MANUAL

Barometric Fresh Air Damper (With Exhaust)

Models:
FAD-BE2 FAD-BE3

General Notes

- Revised and/or additional pages may be issued from time to time.
- A complete and current manual consists of pages shown in the following contents section.

Important

- Contact the installing and/or local Bard distributor for all parts requirements. Make sure to have the complete model and serial number available from the unit rating plates.

Contents

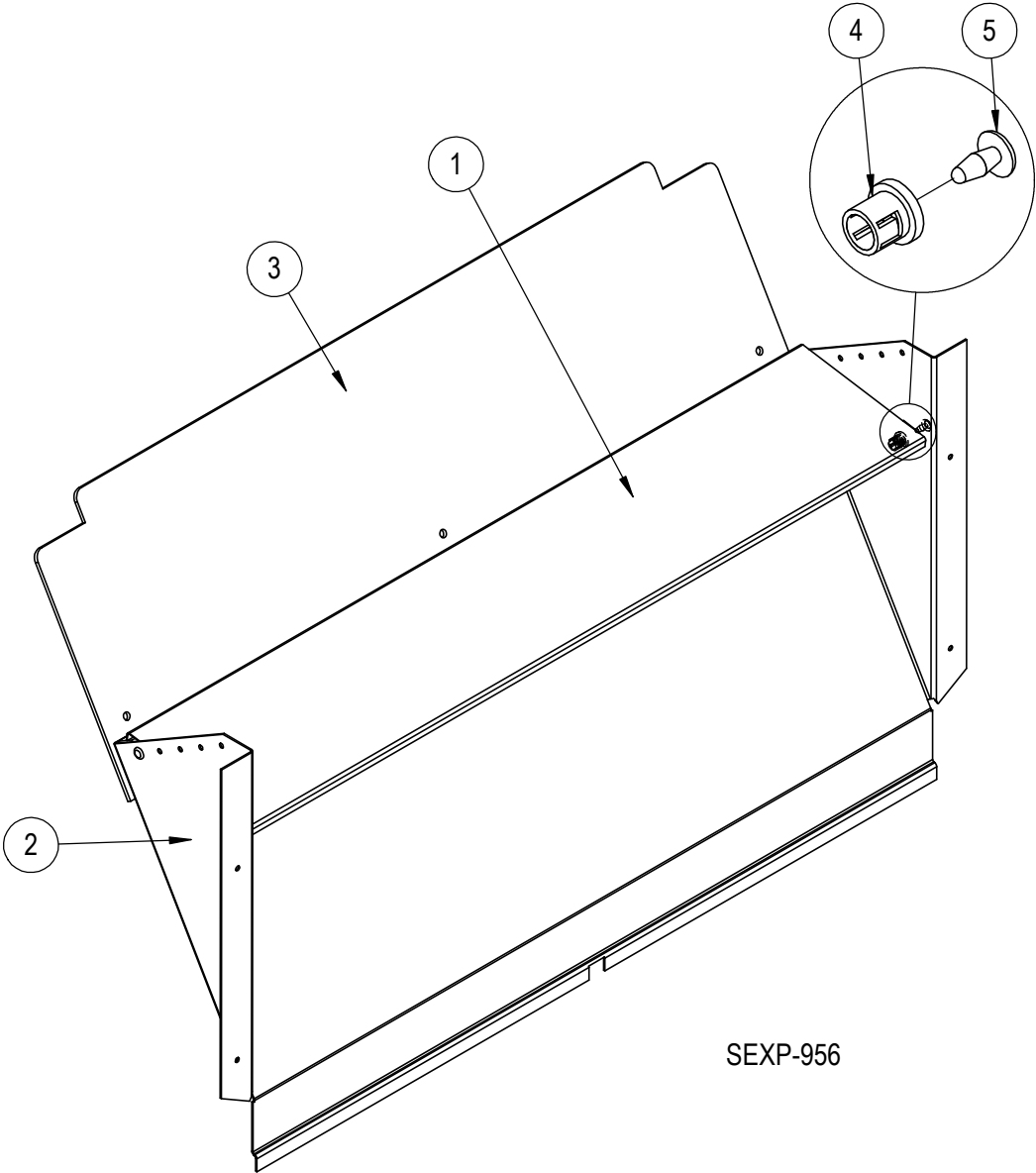
Description	Page
Fresh Air Damper Assembly	
♦ Exploded View	2
♦ Usage List	3
Exhaust Damper Assembly	
♦ Exploded View	4
♦ Usage List	5



Bard Manufacturing Company, Inc.
Bryan, Ohio 43506
www.bardhvac.com

Manual: 2110-1134
Supersedes: **NEW**
Date: 3-1-19

FRESH AIR DAMPER ASSEMBLY

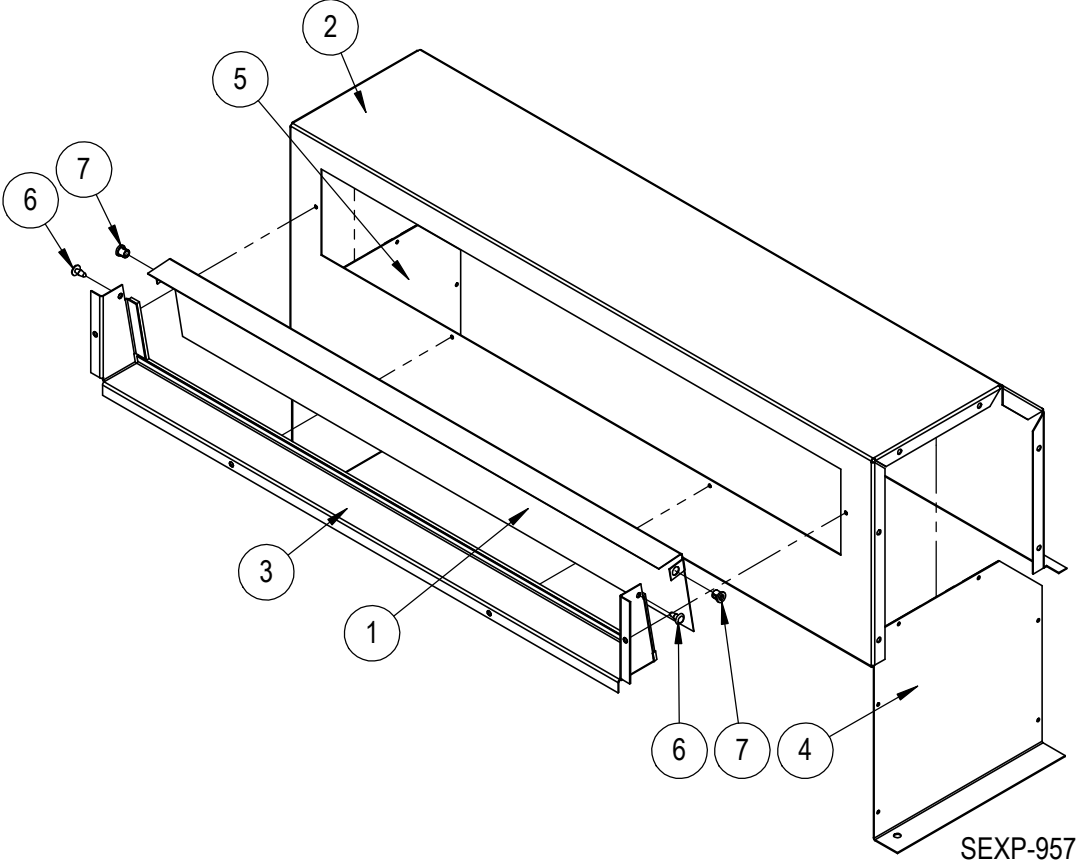


SEXP-956

FRESH AIR DAMPER ASSEMBLY

Drawing No.	Part No.	Description	FAD-BE2	FAD-BE3
1	139-041	Damper Blade	X	
1	139-048	Damper Blade		X
2	139-040	FAD Wrapper	X	
2	139-049	FAD Wrapper		X
3	138-390	Isolation Plate	X	
3	138-391	Isolation Plate		X
4	8611-057	Bushing	2	2
5	8611-059	Canoe Clip	2	2

EXHAUST DAMPER ASSEMBLY



SEXP-957

EXHAUST DAMPER ASSEMBLY

Drawing No.	Part No.	Description	FAD-BE2	FAD-BE3
1	139-402	Damper Blade	X	
1	139-380	Damper Blade		X
2	139-389	Wrapper	X	
2	139-379	Wrapper		X
3	113-713	Air Blade Bracket	X	
3	113-706	Air Blade Bracket		X
4	139Y381	Left End	X	X
5	139X381	Right End	X	X
6	8611-059	Canoe Clip	2	2
7	8611-057	Bushing	2	2
NS	136-664	Cover Plate	X	
NS	136-751	Cover Plate		X

NS – Not Shown