

---

# REPLACEMENT PARTS MANUAL

# ECONOMIZER

MODEL:  
**JIFM-1B**

---

## General Notes

- Revised and/or additional pages may be issued from time to time.
- A complete and current manual consists of pages shown in the following contents section.

## Contents

Description	Page
Economizer and Control	
◆ Exploded View.....	2
◆ Usage List .....	3

## Important

- Contact the installing and/or local Bard distributor for all parts requirements. Make sure you have the complete model and serial number available from the unit rating plates.

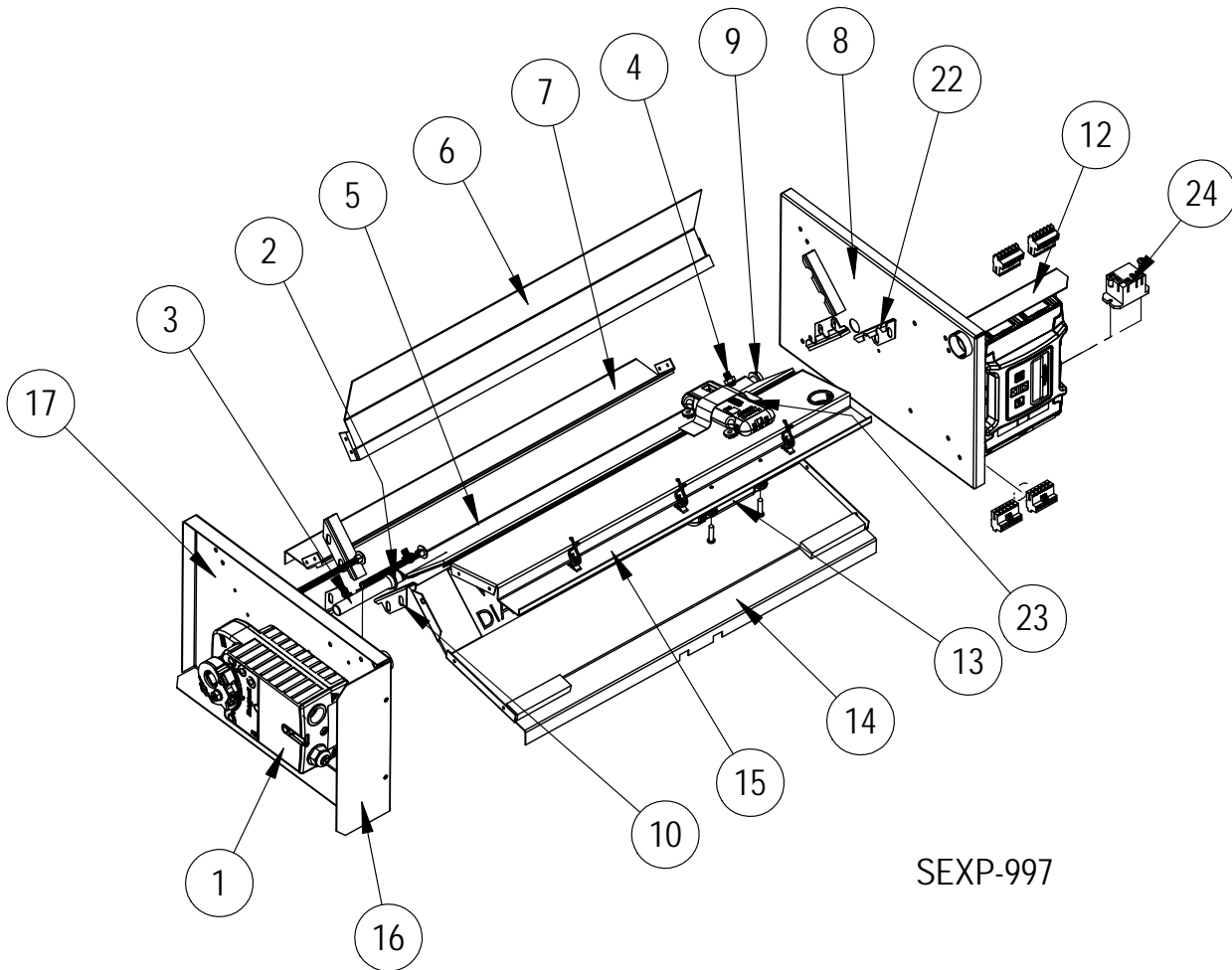
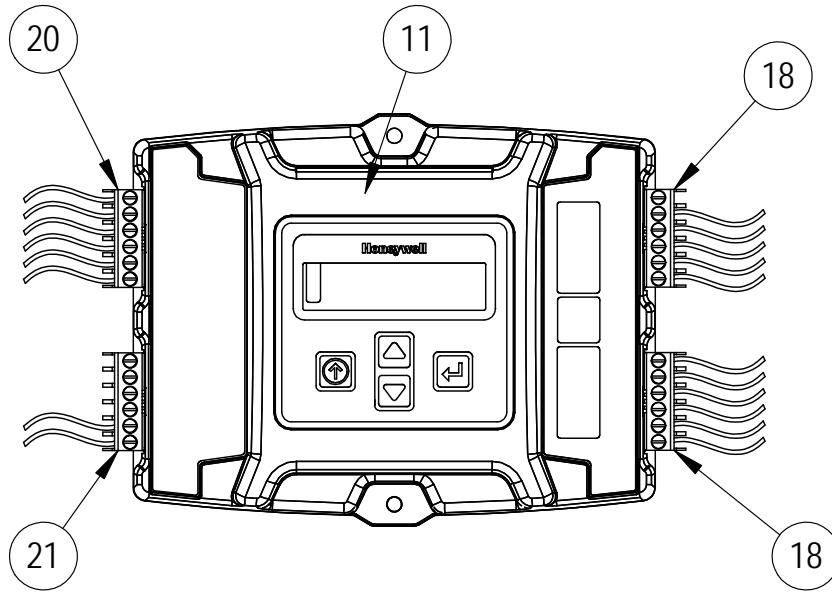


*Climate Control Solutions*

Bard Manufacturing Company, Inc.  
Bryan, Ohio 43506  
[www.bardhvac.com](http://www.bardhvac.com)

Manual: 2110-1135  
Supersedes: **NEW**  
Date: 10-22-19

# ECONOMIZER & CONTROL



SEXP-997

# ECONOMIZER & CONTROL

---

Drawing No.	Part No.	Description	JIFM-1B
1	8602-059	Direct Coupled Actuator	X
2	8602-052	1/2" I.D. Bronze Bushing	X
3	8602-060	Drive Pin 1/2"	X
4	8602-038	Damper Pin	X
5	S139-269	Damper Blade	X
6	105-1345	Rear Upper Partition	X
7	137-637	Rear Lower Partition	X
8	S101-875	Right Side	X
9	8602-039	Bronze Bushing	X
10	S105Y1254	Left Economizer Angle	2
11	S8602-056-0003A	Economizer Module - Programmed	X
12	137-973	Right Fill Plate	X
13	8602-063	Enthalpy Sensor - Outdoor Air	X
14	127-415	Lower Partition/Base	X
15	137-640	Upper Partition	X
16	136-638	Left Fill Plate	X
17	S101-874	Left Side	X
18	3000-1663	Wire Harness	X
20	3000-1434	Wire Harness	X
21	3000-1435	Wire Harness	X
22	S105X1254	Right Economizer Angle	2
23	8602-058	Temperature Sensor - Mixed Air	X
24	8201-130	Relay	X
NS	7003-068	Mist Eliminator	X
NS	4056-252	Wiring Diagram	X