
REPLACEMENT PARTS MANUAL

COMMERCIAL ROOM VENTILATOR

**MODEL:
CRVS-1B**

General Notes

- Revised and/or additional pages may be issued from time to time.
- A complete and current manual consists of pages shown in the following contents section.

Contents

| Description | Page |
|----------------------------|------|
| Commercial Room Ventilator | |
| ♦ Exploded View..... | 2 |
| ♦ Usage List | 3 |

Important

- Contact the installing and/or local Bard distributor for all parts requirements. Make sure you have the complete model and serial number available from the unit rating plates.

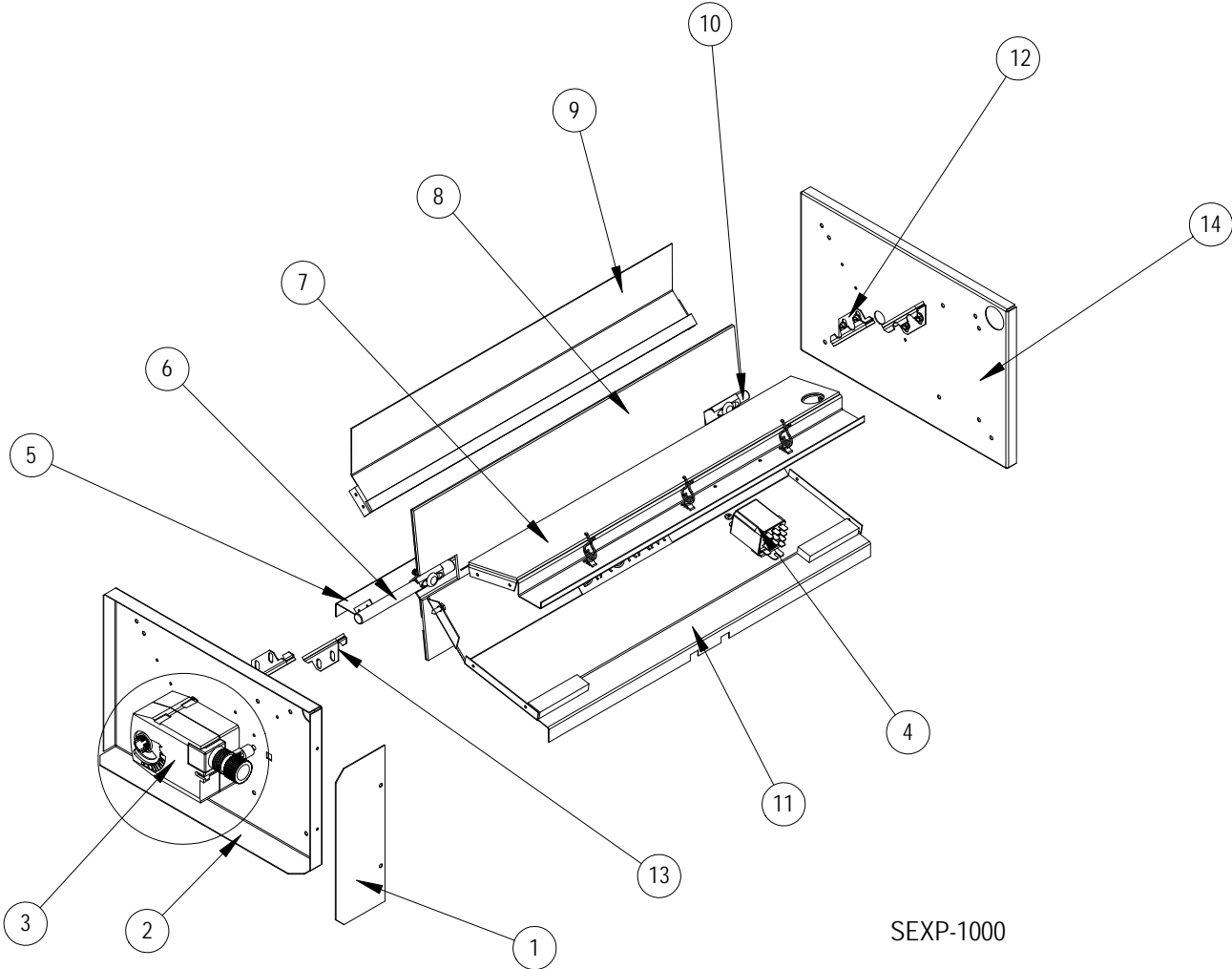


Climate Control Solutions

Bard Manufacturing Company, Inc.
Bryan, Ohio 43506
www.bardhvac.com

Manual: 2110-1136
Supersedes: **NEW**
Date: 10-22-19

COMMERCIAL ROOM VENTILATOR



SEXP-1000

COMMERCIAL ROOM VENTILATOR

| Drawing No. | Part No. | Description | CRVS-1B |
|-------------|-----------|--------------------------|---------|
| 1 | 136-638 | Left Fill Plate | X |
| 2 | S101-874 | Left Side | X |
| 3 | 8602-108 | Direct Coupled Actuator | X |
| 4 | 8201-048 | Relay | X |
| 5 | 137-637 | Rear Lower Partition | X |
| 6 | 8602-060 | Drive Pin 1/2" | X |
| 7 | 137-640 | Upper Partition | X |
| 8 | S139-269 | Damper Blade | X |
| 9 | 105-1345 | Rear Upper Partition | X |
| 10 | 8602-038 | Damper Pin | X |
| 11 | 127-415 | Lower Partition/Base | X |
| 12 | S105X1254 | Right Economizer Angle | 2 |
| 13 | S105Y1254 | Left Economizer Angle | 2 |
| 14 | S101-875 | Right Side | X |
| NS | 8602-039 | Bronze Bushing | X |
| NS | 3000-1664 | Wire Harness | X |
| NS | 7003-068 | Mist Eliminator | X |
| NS | 8602-052 | 1/2" I.D. Bronze Bushing | X |
| NS | 4056-253 | Wiring Diagram | X |