
REPLACEMENT PARTS MANUAL

Low Leakage Commercial Ventilator and Economizer

Models:

CRV-V5A ECON-NC5A ECON-WD5A ECON-DB5A

Contents

Description	Page
Intake Blade Assembly	
♦ Exploded View	2
♦ Usage List	3
Actuator Assembly	
♦ Exploded View	4
♦ Usage List	5
Base Assembly and Exhaust Blade Assembly	
♦ Exploded View	6
♦ Usage List	7
Exhaust Partition Assembly/Intake Seal Angle Assy.	
♦ Exploded View	8
♦ Usage List	9
Vent Assembly	
♦ Exploded View	10
♦ Usage List	11
Control Assembly – CRV-V5A/ECON-NC5A	
♦ Exploded View	12
♦ Usage List	13
Control Assembly – ECON-WD5A/ECON-DB5A	
♦ Exploded View	12
♦ Usage List	13

General Notes

- Revised and/or additional pages may be issued from time to time.
- A complete and current manual consists of pages shown in the following contents section.

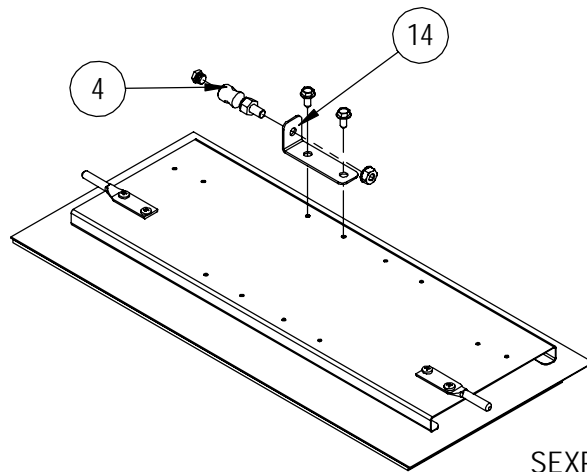
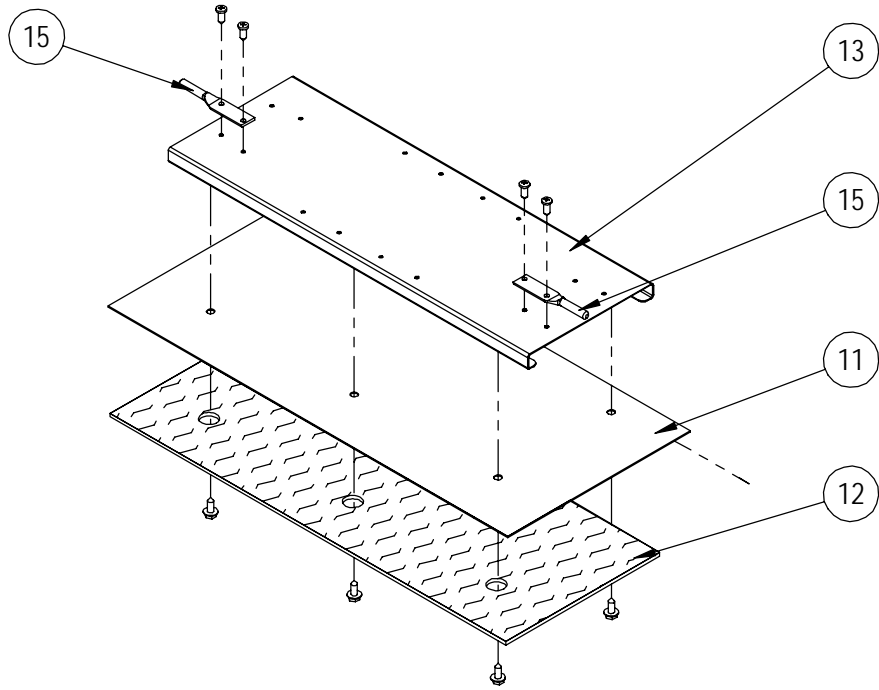
Important

- Contact the installing and/or local Bard distributor for all parts requirements. Make sure to have the complete model and serial number available from the unit rating plates.

BMC, Inc.
Bryan, Ohio 43506

Manual: 2110-1139A
Supersedes: 2110-1139
Date: 6-3-22

INTAKE BLADE ASSEMBLY

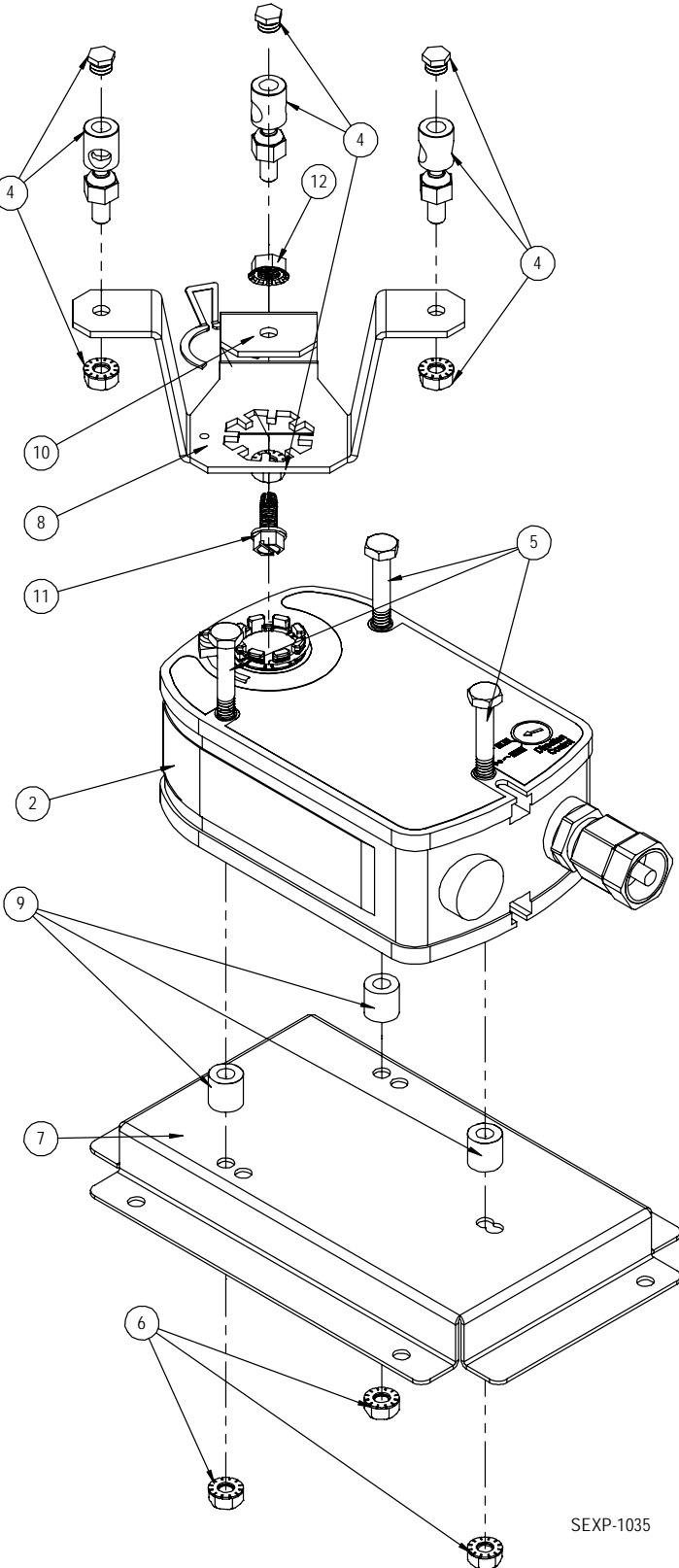


SEXP-1034

INTAKE BLADE ASSEMBLY

Drawing No.	Part No.	Description	CRV-V5A	ECON-NC5A	ECON-WD5A	ECON-DB5A
4	8602-008	BALL JOINT	X	X	X	X
11	138-440	INTAKE BLADE	X	X	X	X
12	1913-136	INSULATION	X	X	X	X
13	141-496D	INTAKE BLADE SUPPORT	X	X	X	X
14	113-772	BALL JOINT MOUNTING BRACKET	X	X	X	X
15	8602-106	1/4" ROUND END BEARING	2	2	2	2

ACTUATOR ASSEMBLY

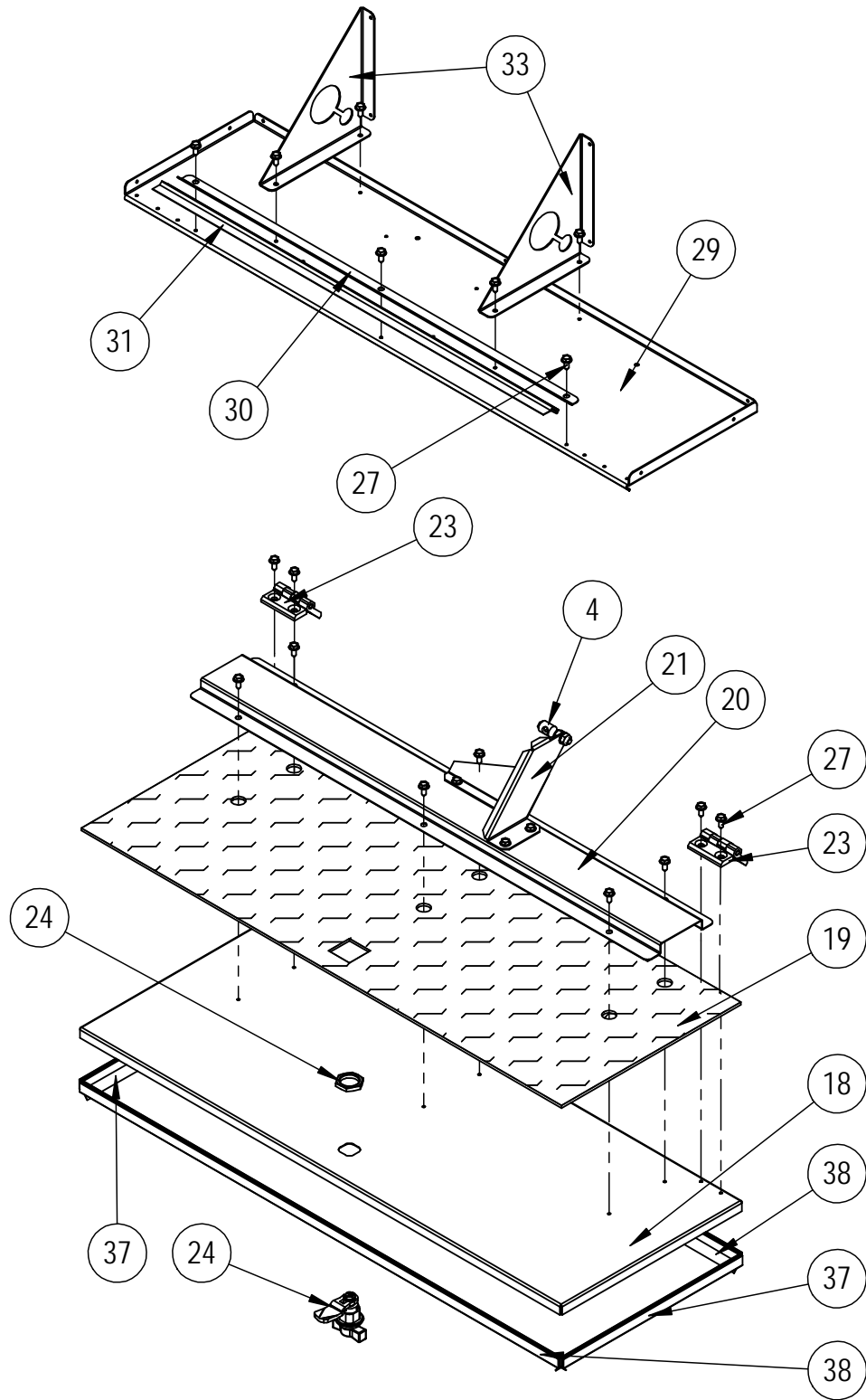


SEXP-1035

ACTUATOR ASSEMBLY

Drawing No.	Part No.	Description	CRV-V5A	ECON-NC5A	ECON-WD5A	ECON-DB5A
2	8602-059	DIRECT COUPLED ACTUATOR			X	X
2	8602-075	DIRECT COUPLED ACTUATOR	X	X		
4	8602-008	BALL JOINTS	3	3	3	3
5	1012-174	1/4"-20X3-1/4 HEX - CAP SCREW	3	X	X	X
6	1012-201	1/4-20 STEEL KEPS HEX NUT ZINC	3	3	3	3
7	141-495	ACTUATOR SUPPORT PLATE	X	X	X	X
8	139-442	ACTUATOR TRI-ARM			X	X
8	139-441	ACTUATOR TRI-ARM	X	X		
9	5451-029	NYLON SLEEVE .257" I.D. X .5" LONG	3	3		
10	140-524	TRI ARM SUPPORT	X	X	X	X
11	1012-121	SCREW	X	X	X	X
12	1012-221	NUT	X	X	X	X
NS	1012-355	#8-32 TRI-ARM SCREW			X	X
NS	8611-130	LTF FITTING 3/4" OD			X	X
NS	3000-1623	ACTUATOR HARNESS			X	X

BASE ASSEMBLY AND EXHAUST BLADE ASSEMBLY

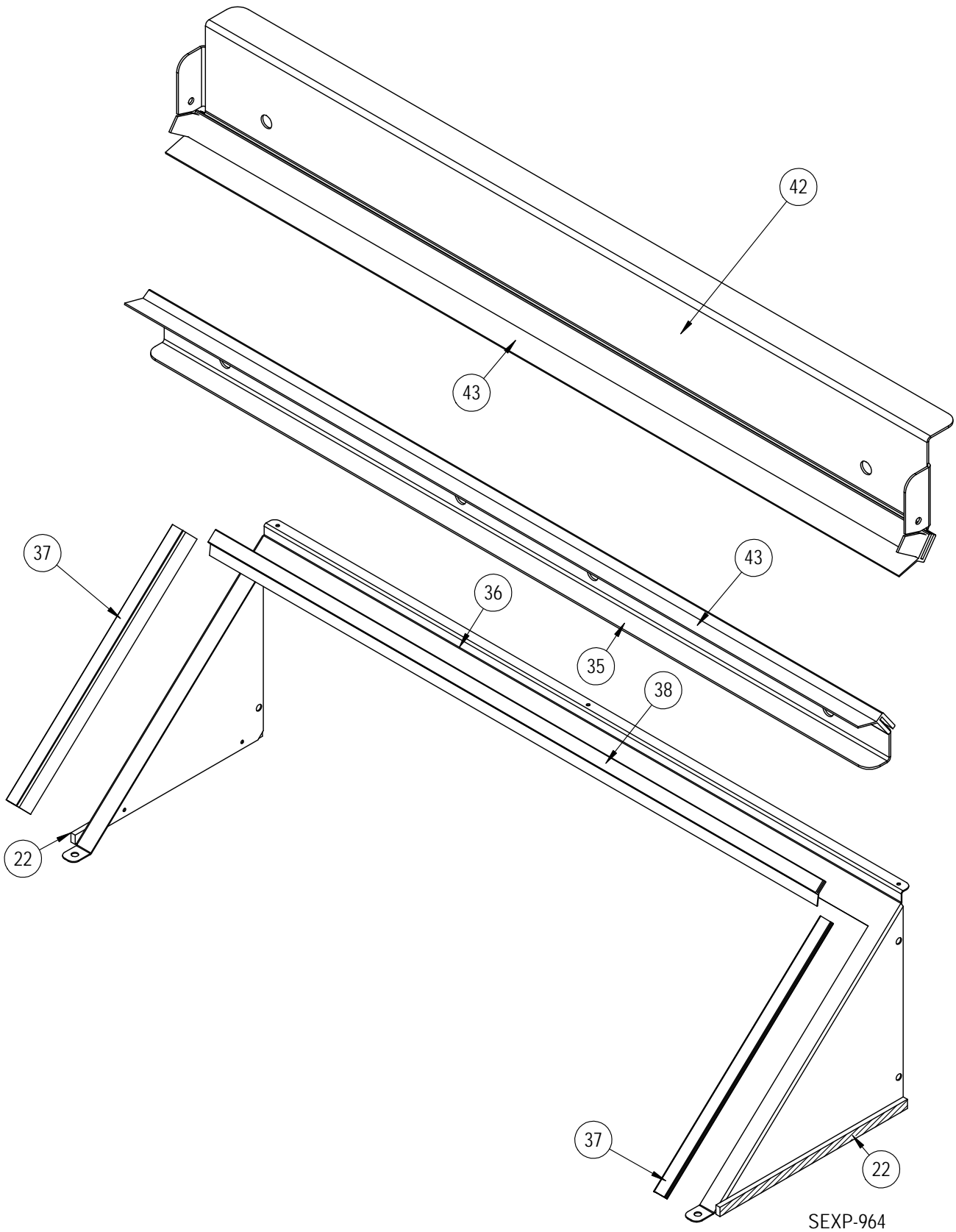


SEXP-961

BASE ASSEMBLY AND EXHAUST BLADE ASSEMBLY

Drawing No.	Part No.	Description	CRV-V5A	ECON-NC5A	ECON-WD5A	ECON-DB5A
4	8602-008	BALL JOINT	X	X	X	X
18	139-420	EXHAUST BLADE	X	X	X	X
19	1913-126	INSULATION	X	X	X	X
20	141-497	EXHAUST BLADE SUPPORT	X	X	X	X
21	139-421	EXHAUST BLADE ARM	X	X	X	X
23	5400-010	METAL DBL LEAF HINGE 50 X 50MM	2	X	X	X
24	1171-072	1/4 TURN - WING KNOB LATCH	X	X	X	X
29	127-578	BASE	X	X	X	X
30	105-1461	EXHAUST SEAL ANGLE	X	X	X	X
31	1921-067-2303	23-3/16" DAMPER BLADE SEAL	X	X	X	X
33	141-499	BASE SUPPORT GUSSET	2	2	2	2
37	1921-067-1010	10-5/8" DAMPER BLADE SEAL	2	X	X	X
38	1921-067-2806	28-3/8" DAMPER BLADE SEAL	2	2	2	2

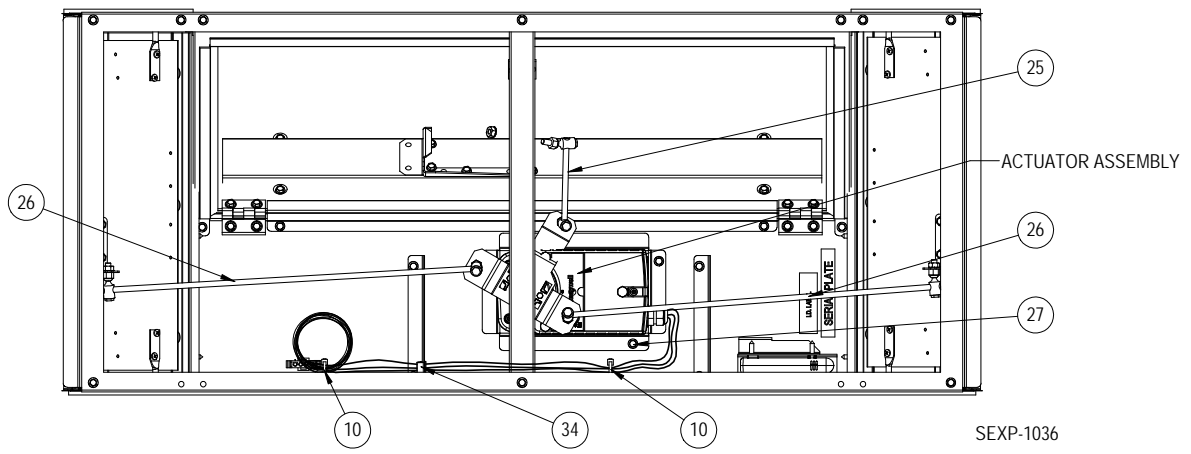
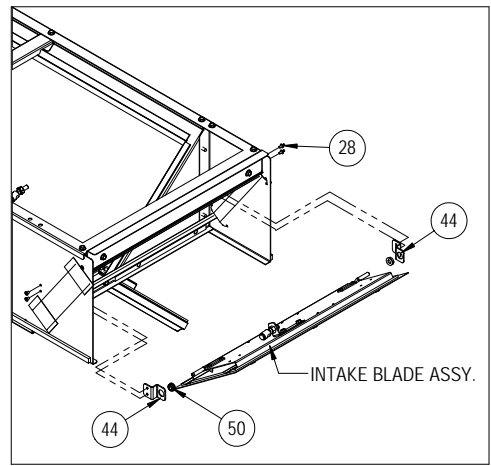
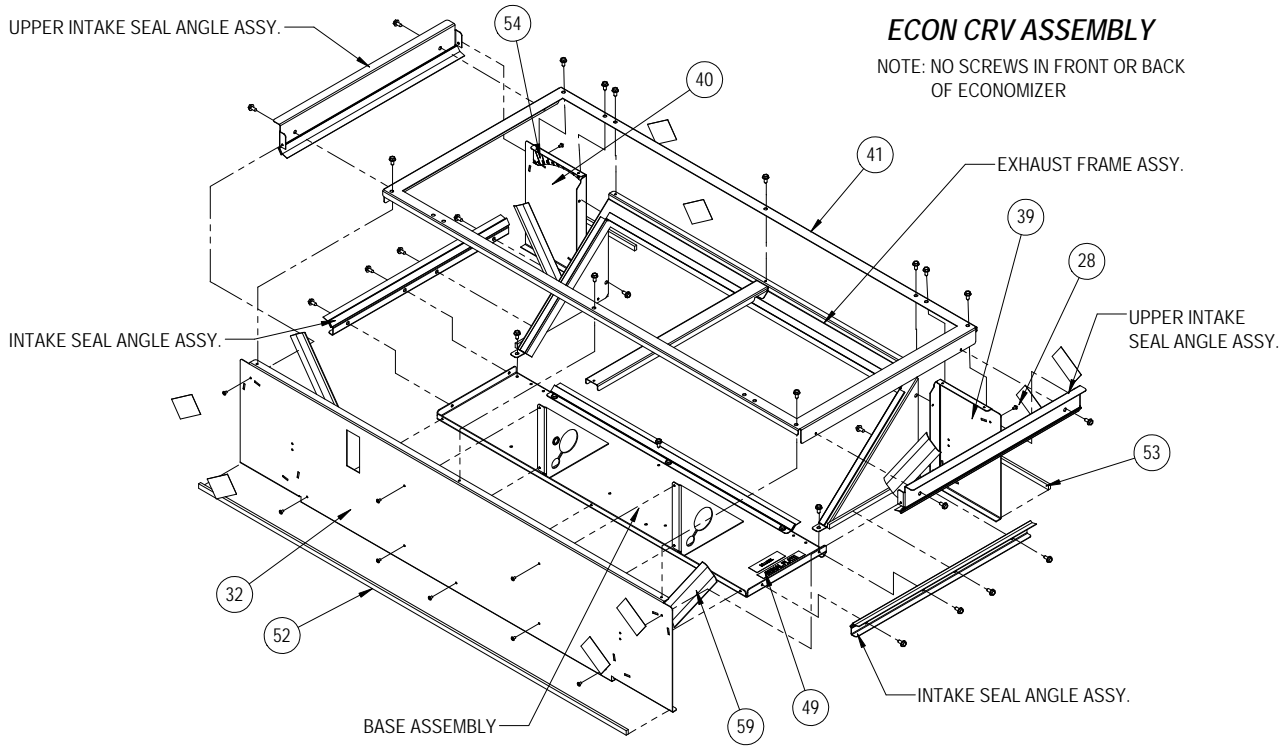
EXHAUST PARTITION ASSEMBLY/INTAKE SEAL ANGLE ASSEMBLY



EXHAUST PARTITION ASSEMBLY/INTAKE SEAL ANGLE ASSEMBLY

Drawing No.	Part No.	Description	CRV-V5A	ECON-NC5A	ECON-WD5A	ECON-DB5A
22	1913-079-0812	8-3/4" SFO W/PSA .197 X .375	2	2	2	2
35	105-1460	LOWER INTAKE SEAL ANGLE	X	X	X	X
36	139-422	EXHAUST FRAME	X	X	X	X
37	1921-067-1010	10-5/8" DAMPER BLADE SEAL	2	2	2	2
38	1921-067-2806	28-3/8" DAMPER BLADE SEAL	X	X	X	X
42	105-1459C	UPPER INTAKE SEAL ANGLE	X	X	X	X
43	1921-067-1614	16-7/8" DAMPER BLADE SEAL	X	X	X	X

VENT ASSEMBLY

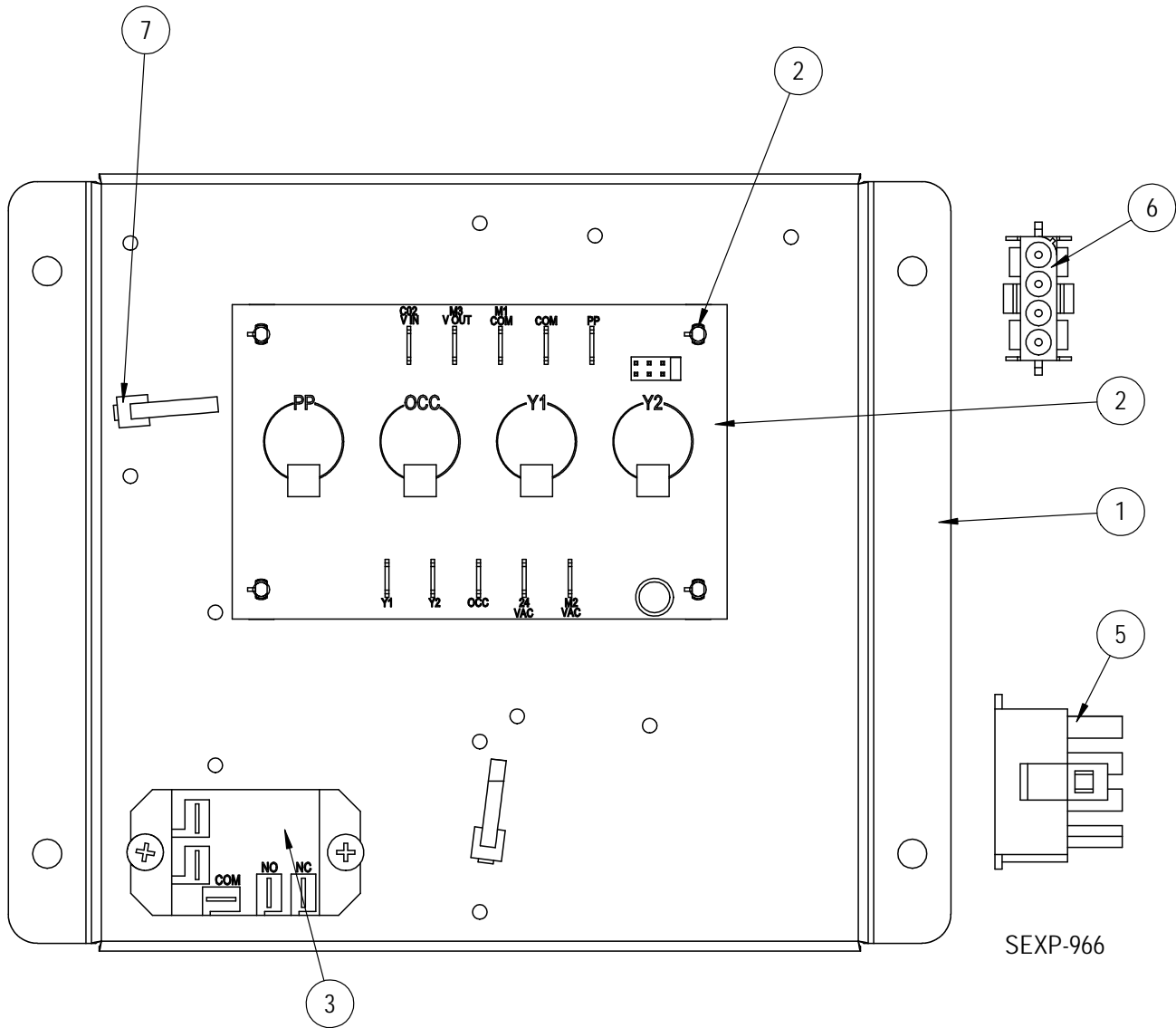


SEXP-1036

VENT ASSEMBLY

Drawing No.	Part No.	Description	CRV-V5A	ECON-NC5A	ECON-WD5A	ECON-DB5A
10	7950-012	PUSH MOUNT CABLE TIE 6-1/8"	2	2	2	2
25	8602-104	1/4 X 4-1/4" ROD	X	X	X	X
26	8602-105	1/4 X 17-1/4" ROD	2	2	2	2
32	115-339	FRONT	X	X	X	X
34	8611-047	OPEN/CLOSE SNAP BUSHING 3/4"	X	X	X	X
39	139X439	REAR INTAKE PARTITION - RH	X	X	X	X
40	139Y439	REAR INTAKE PARTITION - LH	X	X	X	X
41	107-385	TOP	X	X	X	X
44	113-773	DAMPER PIVOT BRACKET	4	4	4	4
50	8611-239	1/2" SNAP-IN SMOOTH BORE BSHNG	4	4	4	4
52	1913-079-4104	41-1/4" SFO W/PSA .197 X .375	X	X	X	X
53	1913-079-0514	5-7/8" SFO W/PSA .197 X .375	2	2	2	2
54	7961-904	CRVV-5 Position Label	X			
59	1921-069-0702	7.125" STAINLESS BLADE SEAL	4	4	4	4
NS	7003-084	MIST FILTER	2	2	2	2
NS	7003-083	EXHAUST BUG SCREEN	X	X	X	X
NS	543-223	SIDE VENT BLOCK OFF PLATE ASSEMBLY	2	2	2	2
NS	539-405	INTAKE SEALING FRAME	2	2	2	2
NS	4056-250	WIRING DIAGRAM			X	
NS	4056-246	WIRING DIAGRAM	X			
NS	4056-247	WIRING DIAGRAM		X		
NS	4056-254	WIRING DIAGRAM				X

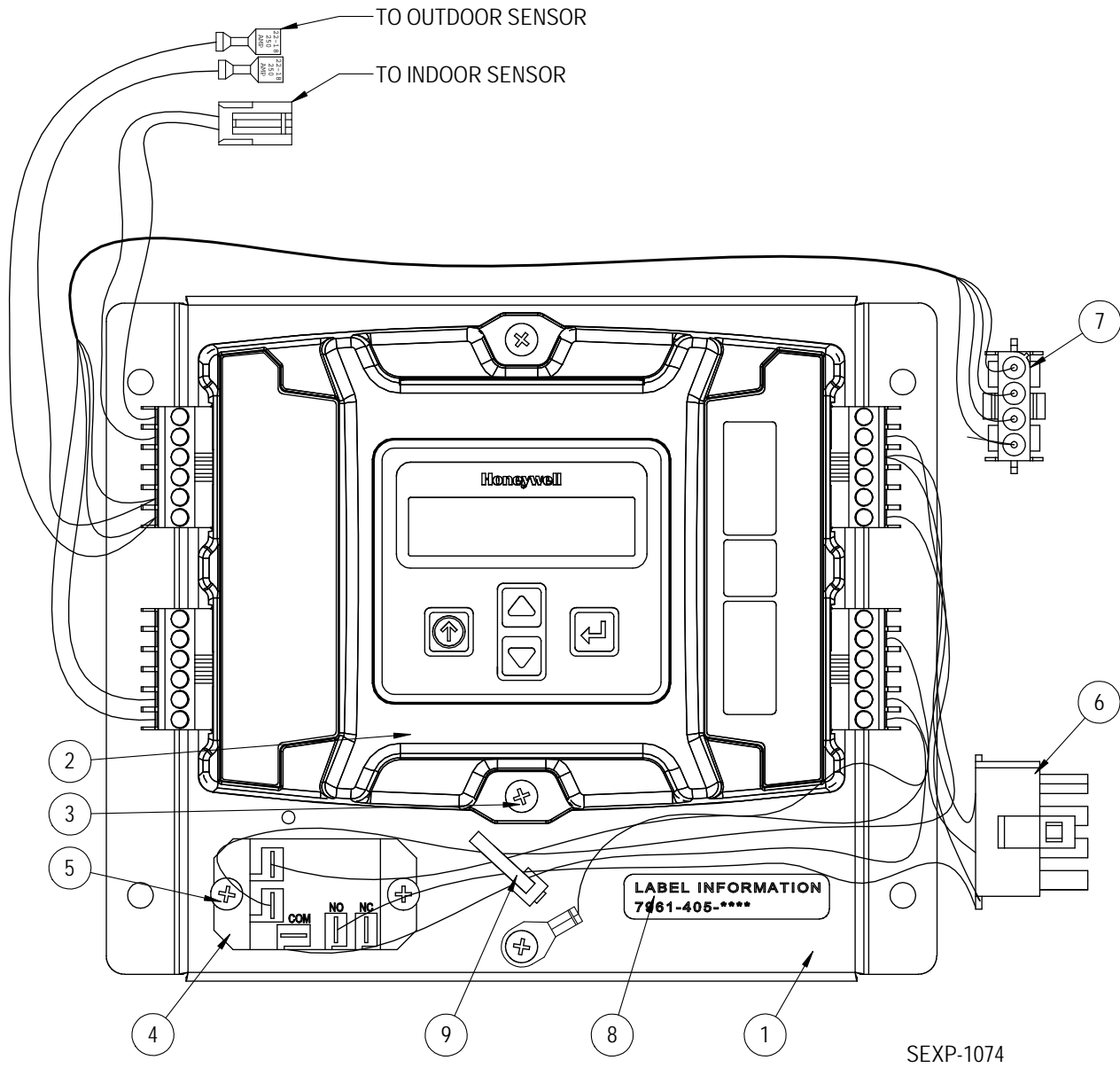
CONTROL ASSEMBLY – CRV-V5A/ECON-NC5A



CONTROL ASSEMBLY – CRV-V5A/ECON-NC5A

Drawing No.	Part No.	Description	CRV-V5A	ECON-NC5A
1	127-576	VENT CONTROL BASE	X	
2	8201-167	CRV CONTROL BOARD	X	
2	8602-056-0003A	HONEYWELL ECONOMIZER MODULE		
3	8201-130	RELAY, SPDT, PILOT DUTY	X	
4	1012-065	SCREW, TYPEAB PZPNHD #8 18X3/8		
5	3000-1625	WIRE ASSEMBLY	X	
5	3000-1635	WIRE ASSEMBLY		
6	3000-1626	WIRE ASSEMBLY	X	
6	3000-1624	WIRE ASSEMBLY		
6	3000-1665	WIRE ASSEMBLY 4 PIN WIRE HARNESS		
7	7950-012	PUSH MOUNT CABLE TIE 6-1/8"	2	
NS	910-2072	10K SENSOR ASSEMBLY		X
NS	910-1980	SENSOR ASSEMBLY ENTH (OUTDOOR)		
NS	8602-058	MIXED AIR SENSOR (INDOOR)		
NS	910-2072	SENSOR ASSEMBLY 10K (OUTDOOR)		X
NS	910-1898	TEMPERATURE SENSOR ASSEMBLY (OUTDOOR)		

CONTROL ASSEMBLY – ECON-WD5A/ECON-DB5A



CONTROL ASSEMBLY – ECON-WD5A/ECON-DB5A

Drawing No.	Part No.	Description	ECON-WD5A	ECON-DB5A
1	127-576	VENT CONTROL BASE	X	X
2	8602-056-0003A	PROGRAMMED ECONOMIZER MODULE	X	X
3	1012-066	SCREW, TYPEAE TXPNHD #8 18X3/4	X	X
4	8201-130	RELAY, SPDT, PILOT DUTY	X	X
5	1012-065	SCREW, TYPEAB TXPNHD #8 18X3/8	X	X
6	3000-1635	WIRE ASSEMBLY	X	X
7	3000-1624	WIRE ASSEMBLY	X	
7	3000-1665	WIRE ASSEMBLY		X
8	761-405-0388	TELECOM-ECON DRY BULB LABEL	X	X
9	7950-012	PUSH MOUNT CABLE TIE 6-1/8"	X	X