

---

# REPLACEMENT PARTS MANUAL

---

## Commercial Room Ventilator with Spring Return and Exhaust

Model: CRV-F5

---

### General Notes

- Revised and/or additional pages may be issued from time to time.
- A complete and current manual consists of pages shown in the following contents section.

### Important

- Contact the installing and/or local distributor for all parts requirements. Make sure to have the complete model and serial number available from the unit rating plates.

### Contents

Description	Page
CRV Assembly	
♦ Exploded View .....	2
♦ Usage List .....	3
Unit Parts	
♦ Exploded View .....	4
♦ Usage List .....	4
Unit Parts	
♦ Exploded View .....	5
♦ Usage List .....	5
Base Assembly	
♦ Exploded View .....	6
♦ Usage List .....	6
Actuator Assembly	
♦ Exploded View .....	7
♦ Usage List .....	7
Exhaust Blade Assembly	
♦ Exploded View .....	8
♦ Usage List .....	8

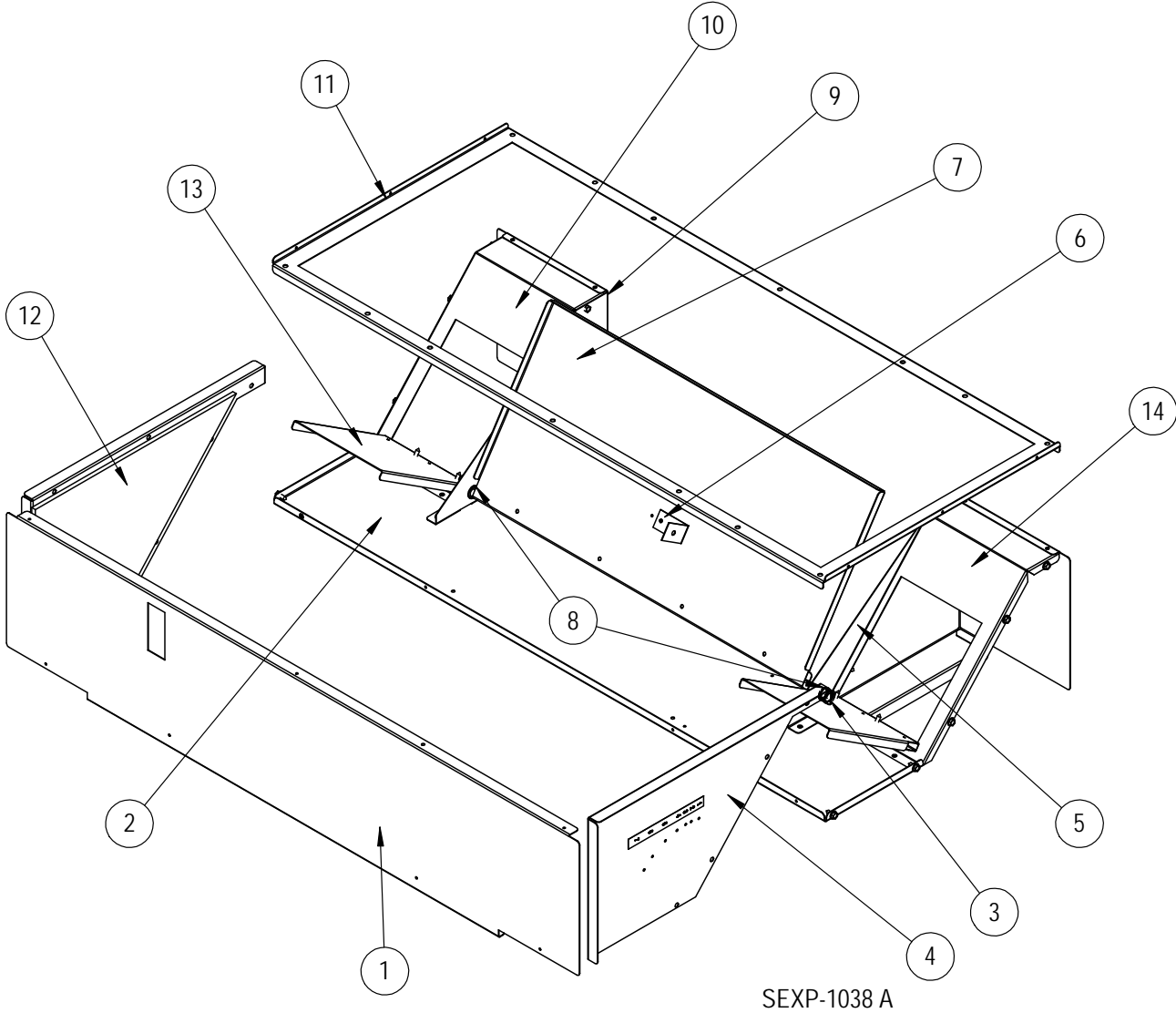
---

BMC, Inc.  
Bryan, Ohio 43506

Manual: 2110-1140A  
Supersedes: 2110-1140  
Date: 7-27-23

# CRV ASSEMBLY

---

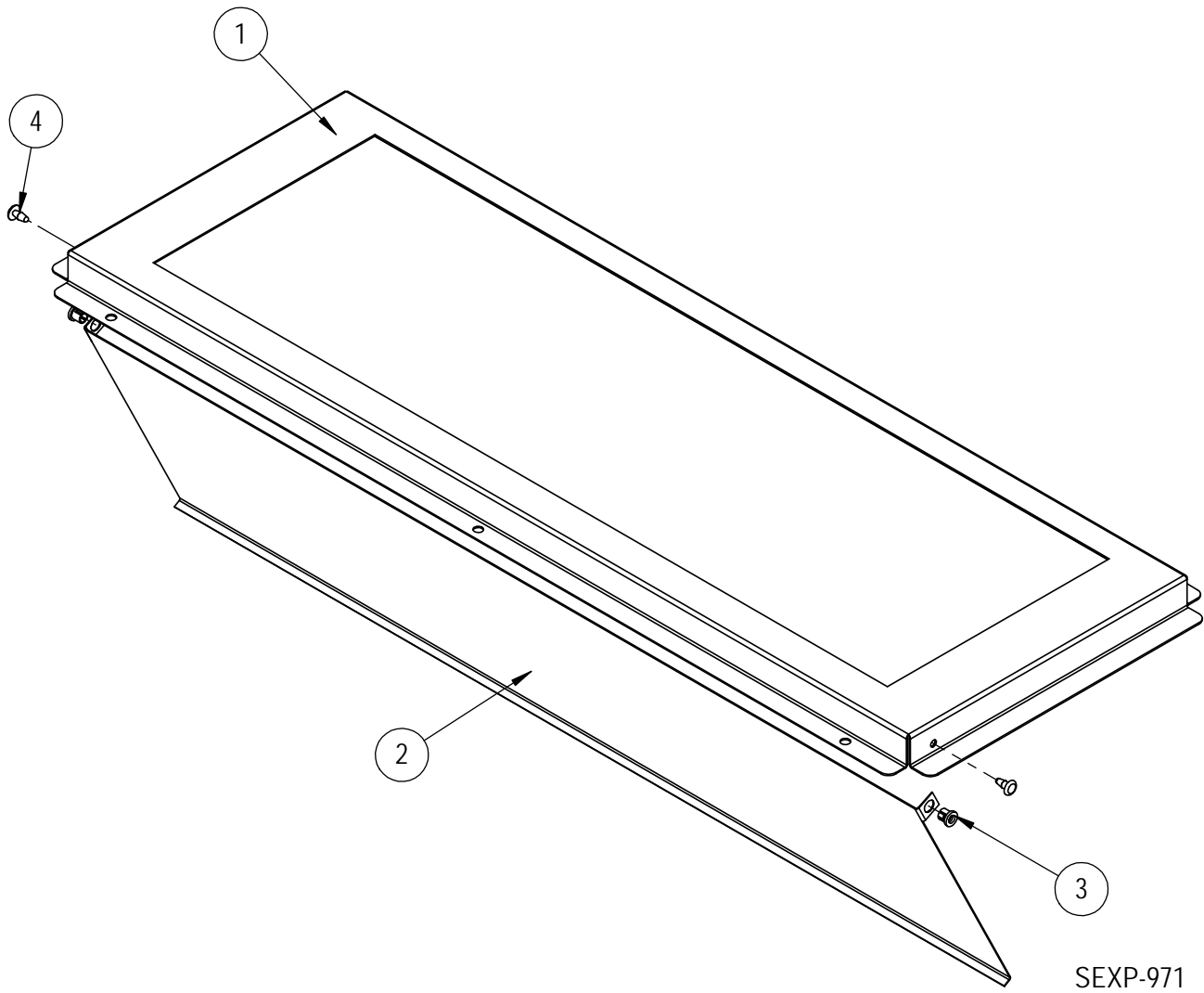


# CRV ASSEMBLY

---

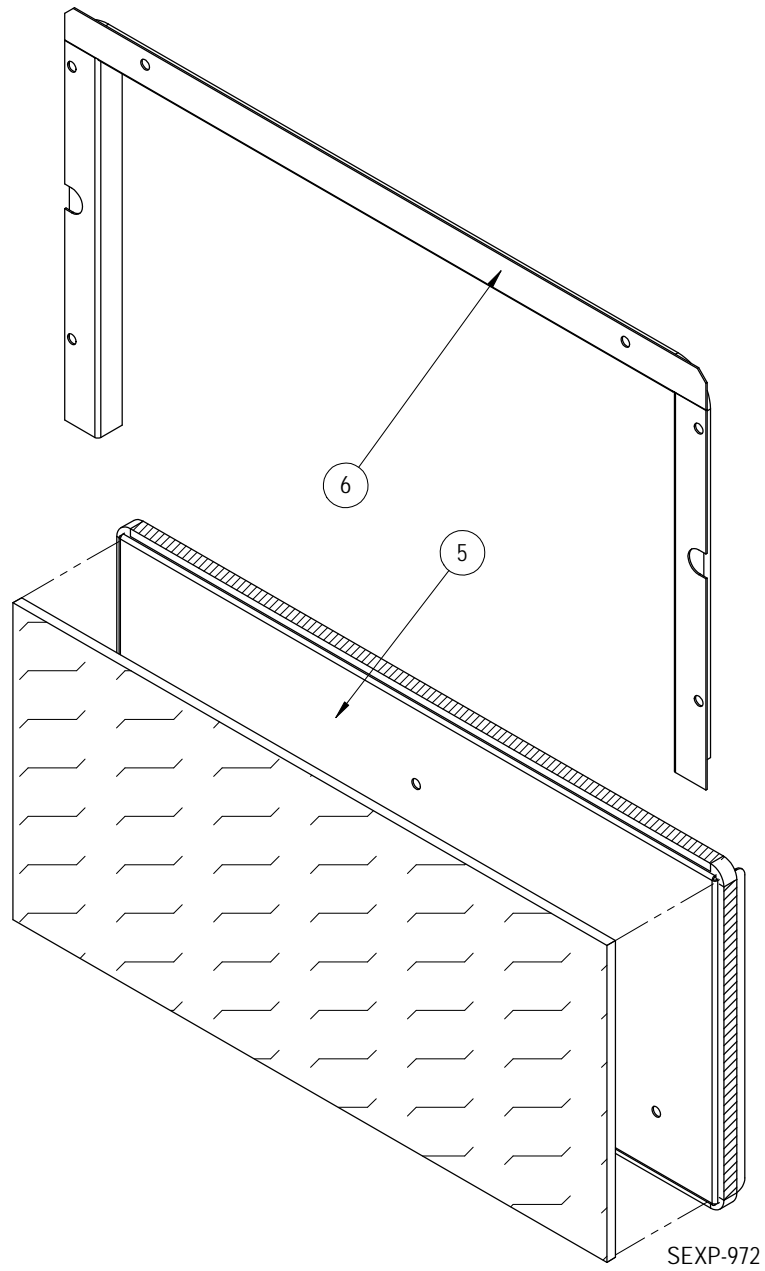
Drawing No.	Part No.	Description	CRV-F5
1	115-325BX	FRONT	X
2	127-598BX	BASE	X
3	8611-238BX	BUSHING	2
4	137X1026BX	END COVER RH	X
5	121-607BX	PARTITION RH	X
6	105-1498BX	BLADE LINKAGE BRACKET	X
7	139-437BX	EXHAUST BLADE	X
8	8602-103BX	BLADE SHAFT	X
9	121-588BX	PARTITION LH	X
10	139Y452BX	INTAKE PLATE LH	X
11	107-383BX	TOP	X
12	137Y1026BX	END COVER LH	X
13	139-474BX	INTAKE BLADE	2
14	139X452BX	INTAKE PLATE RH	X
NS	7003-084BX	MIST FILTER	2
NS	7003-083BX	EXHAUST BUG SCREEN	X
NS	4056A244BX	WIRING DIAGRAM	X
NS	3000-1621BX	WIRE ASSEMBLY	X

# UNIT PARTS



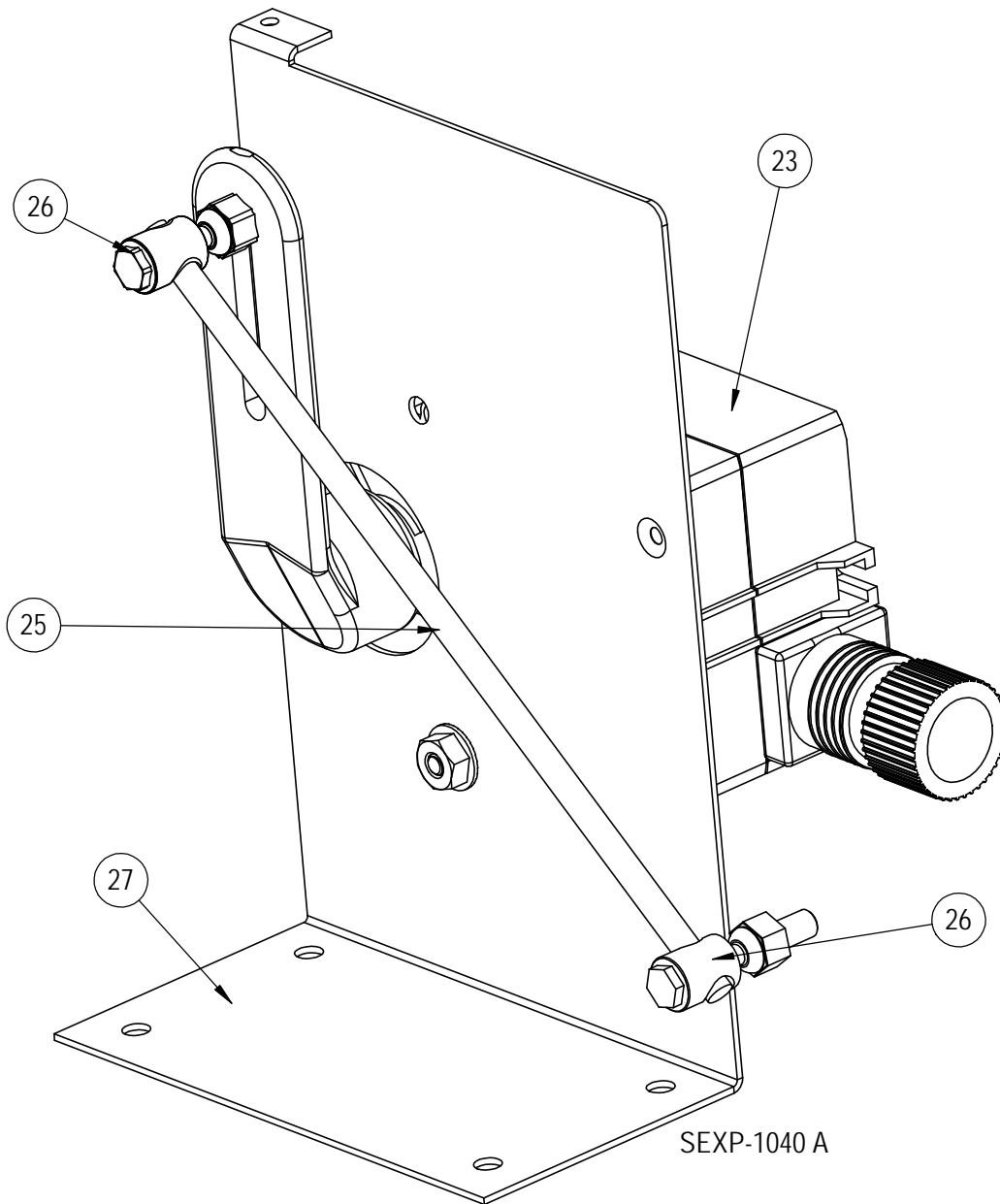
Drawing No.	Part No.	Description	CRV-F5
1	139-414BX	EXHAUST ADAPTER	X
2	139-433BX	BLADE	X
3	8611-057	BUSHING	2
4	8611-059	CANOE CLIP	2

# UNIT PARTS



Drawing No.	Part No.	Description	CRV-F5
5	543-223BX	SIDE VENT BLOCK OFF	2
6	539-405BX	INTAKE FRAME	2

# ACTUATOR ASSEMBLY



Drawing No.	Part No.	Description	CRV-F5
23	8602-094	ON/OFF ACTUATOR	X
25	8602-091	1/4" X 8-1/2" ROD	X
26	8602-008	BALL JOINT	2
27	141-518	ACTUATOR BRACKET	X