
REPLACEMENT PARTS MANUAL

Commercial Room Ventilator with Spring Return and Exhaust

Model: CRV-F5

General Notes

- Revised and/or additional pages may be issued from time to time.
- A complete and current manual consists of pages shown in the following contents section.

Important

- Contact the installing and/or local distributor for all parts requirements. Make sure to have the complete model and serial number available from the unit rating plates.

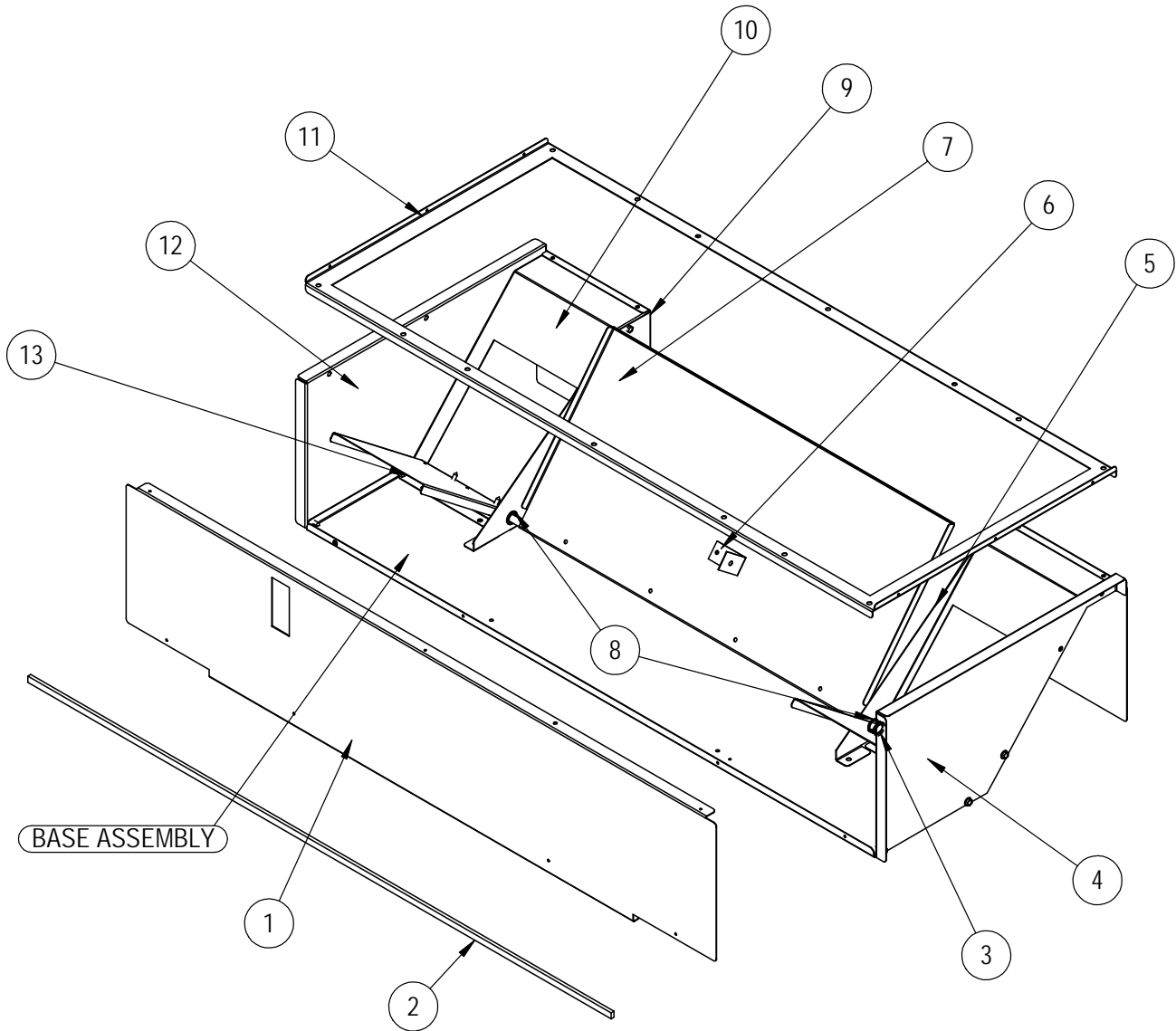
Contents

Description	Page
CRV Assembly	
♦ Exploded View	2
♦ Usage List	3
Unit Parts	
♦ Exploded View	4
♦ Usage List	4
Unit Parts	
♦ Exploded View	5
♦ Usage List	5
Base Assembly	
♦ Exploded View	6
♦ Usage List	6
Actuator Assembly	
♦ Exploded View	7
♦ Usage List	7
Exhaust Blade Assembly	
♦ Exploded View	8
♦ Usage List	8

BMC, Inc.
Bryan, Ohio 43506

Manual: 2110-1140
Supersedes: **NEW**
Date: 9-16-21

CRV ASSEMBLY

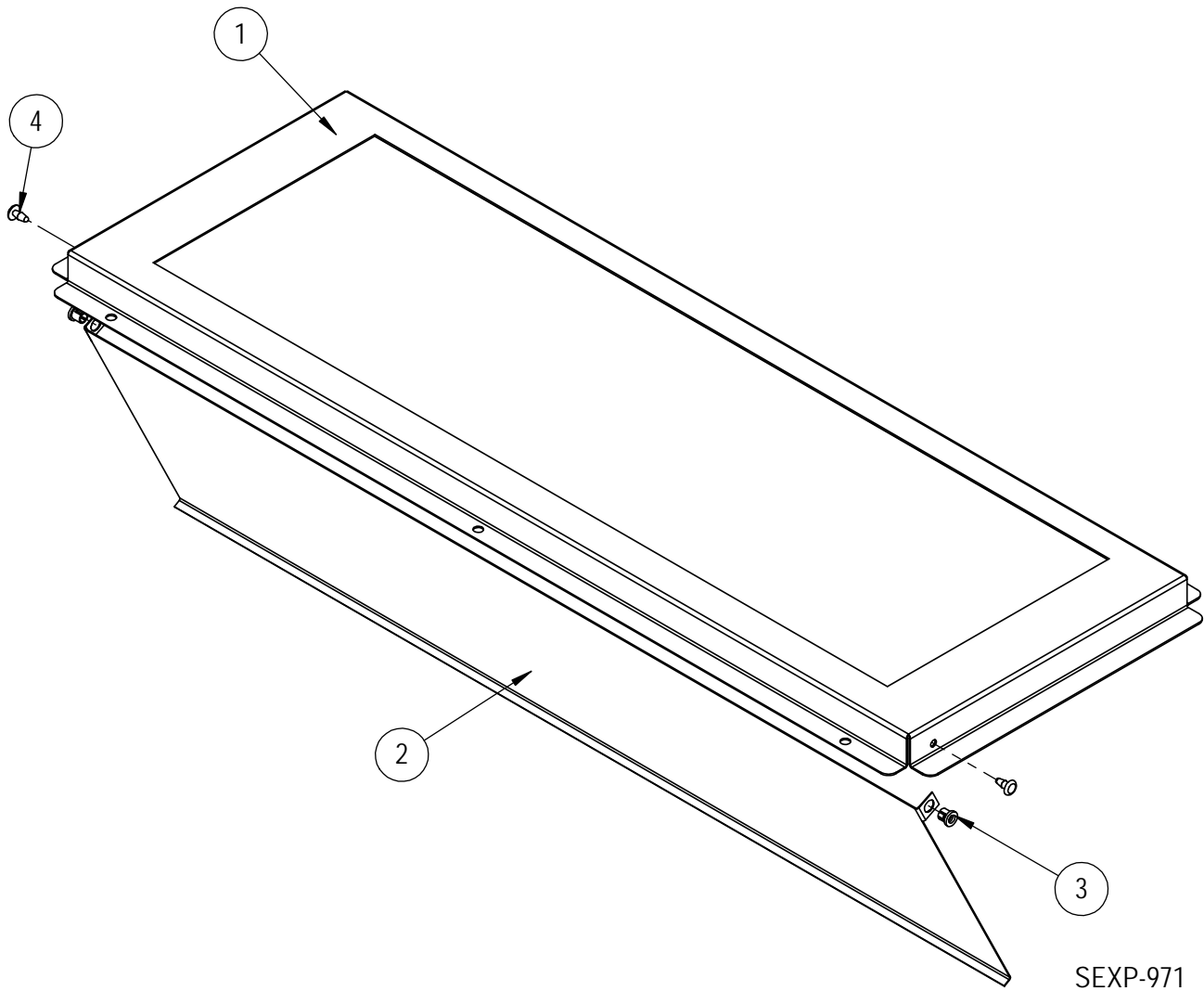


SEXP-1038

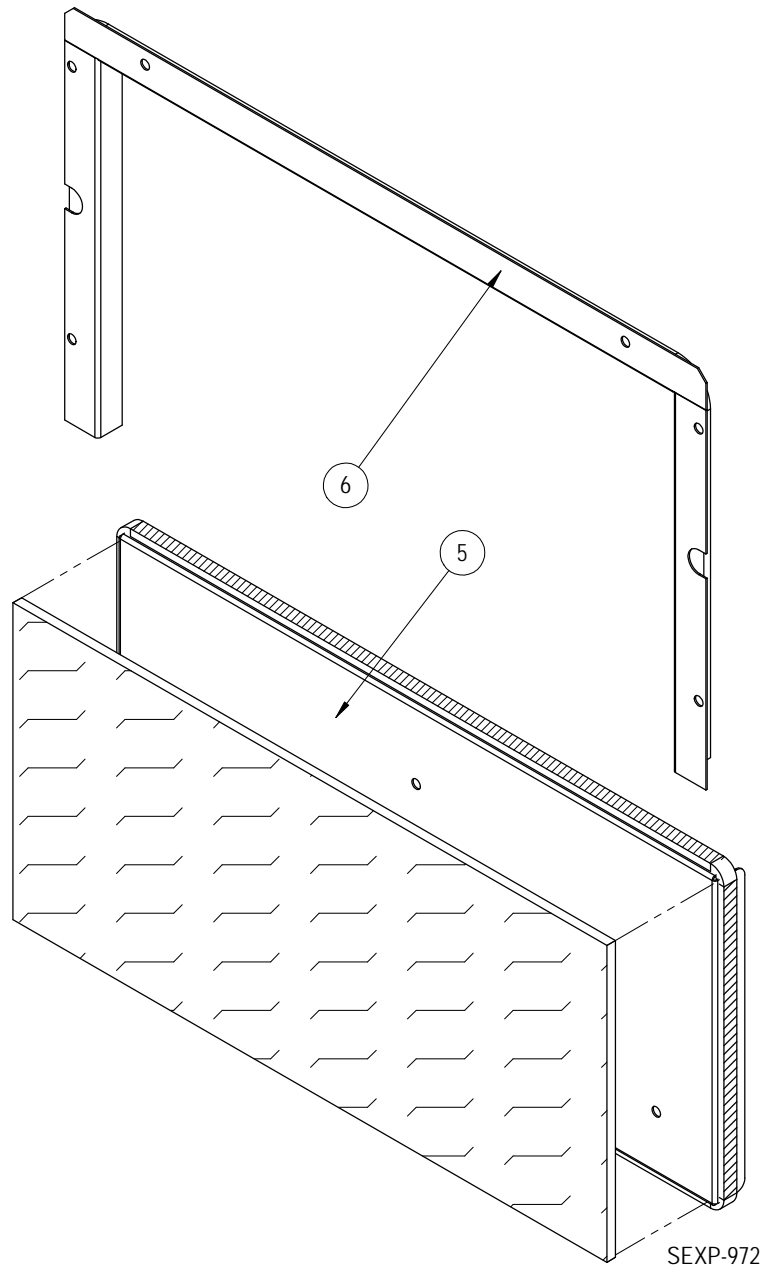
CRV ASSEMBLY

Drawing No.	Part No.	Description	CRV-F5
1	115-325	FRONT	1
2	1913-079-4104	GASKET	1
3	127-598	BASE	1
4	8602-103	BLADE SHAFT	1
5	137X922	END COVER RH	1
6	121-601	PARTITION RH	1
7	105-1498	BLADE LINKAGE BRACKET	1
8	8611-238	BUSHING	1
9	121-588	PARTITION LH	1
10	139-415	INTAKE PLATE	1
11	107-383	TOP	1
12	137Y922	END COVER LH	1
13	139-416	INTAKE DAMPER BLADE	1
NS	7003-084	MIST FILTER	1
NS	7003-083	EXHAUST BUG SCREEN	1
NS	4056A244	WIRE DIAGRAM	1
NS	3000-1621	WIRE ASSEMBLY CONTROL PANEL OUT	1

UNIT PARTS

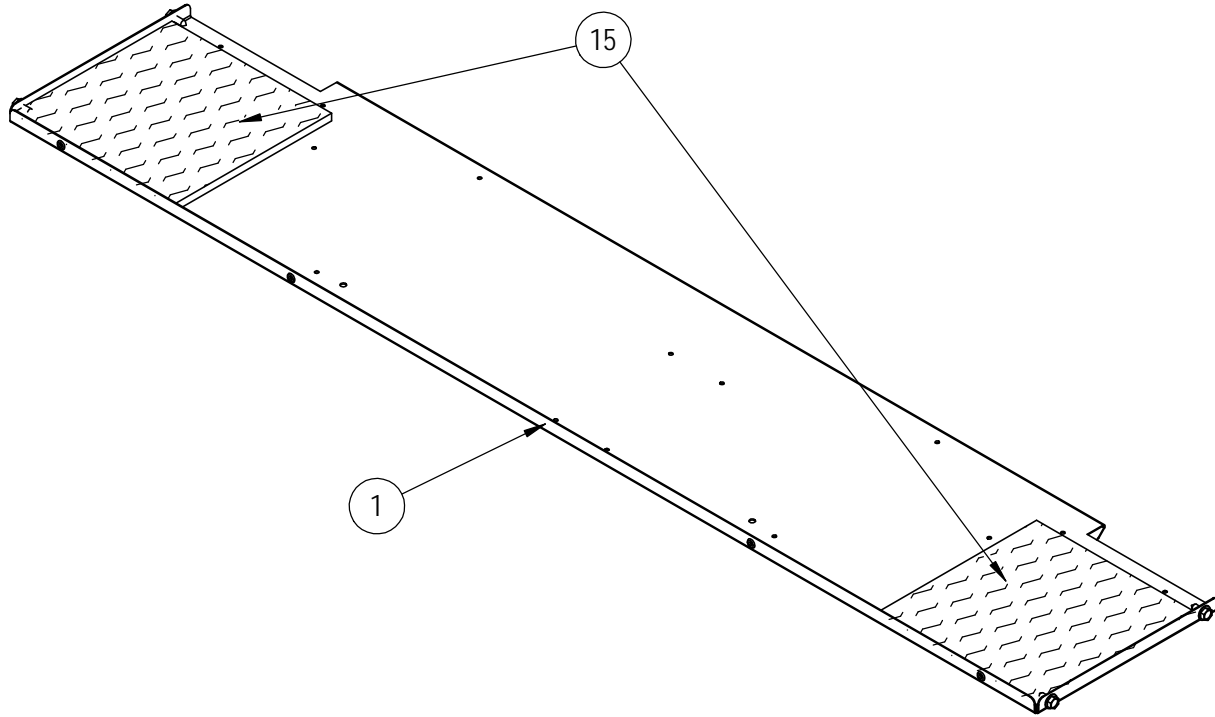


Drawing No.	Part No.	Description	CRV-F5
1	139-414	EXHAUST ADAPTER	1
2	139-433	BLADE	1
3	8611-057	BUSHING	2
4	8611-059	CANOE CLIP	2



Drawing No.	Part No.	Description	CRV-F5
5	543-223	SIDE VENT BLOCK OFF	2
6	539-405	INTAKE FRAME	2

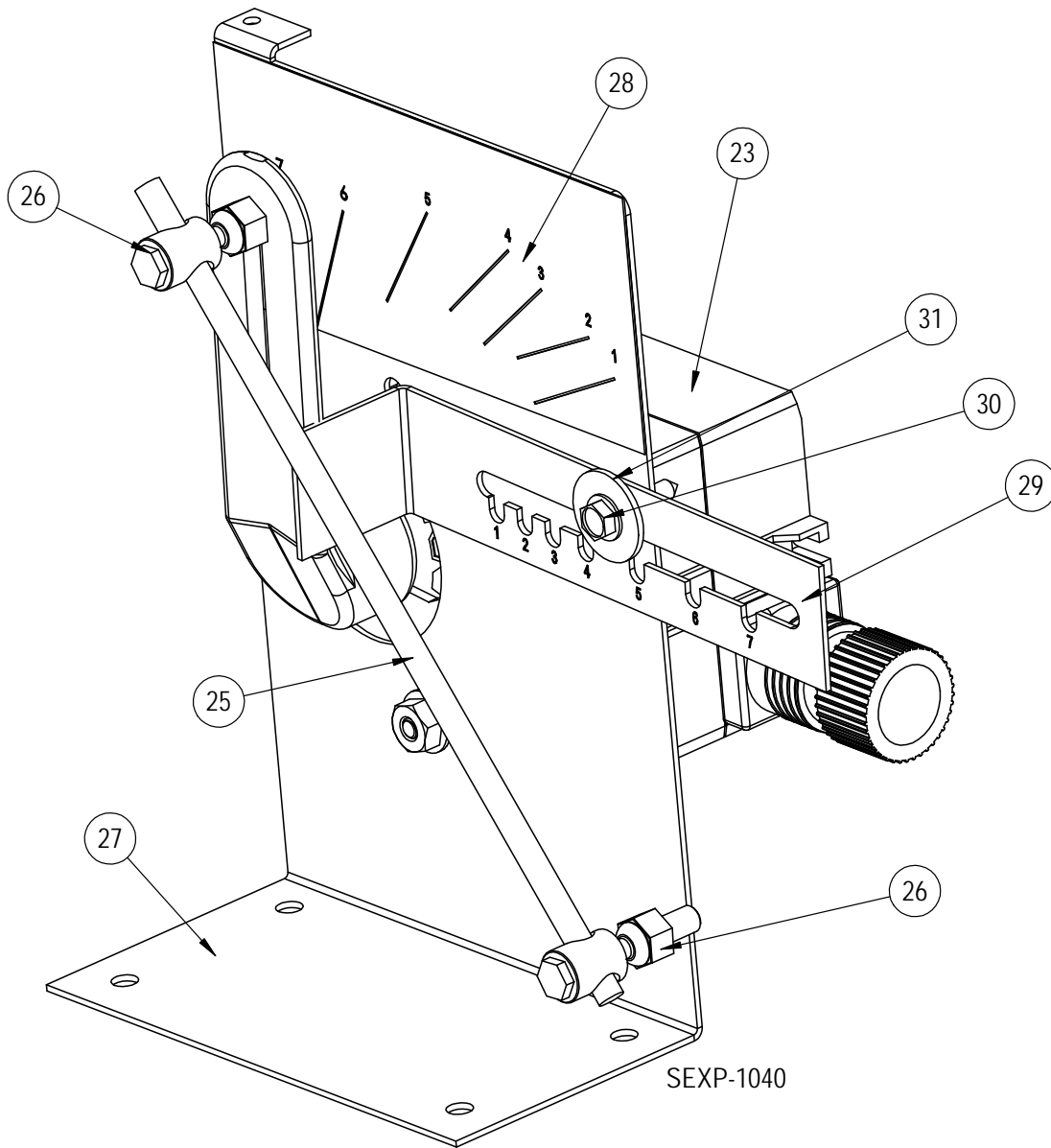
BASE ASSEMBLY



SEXP-1039

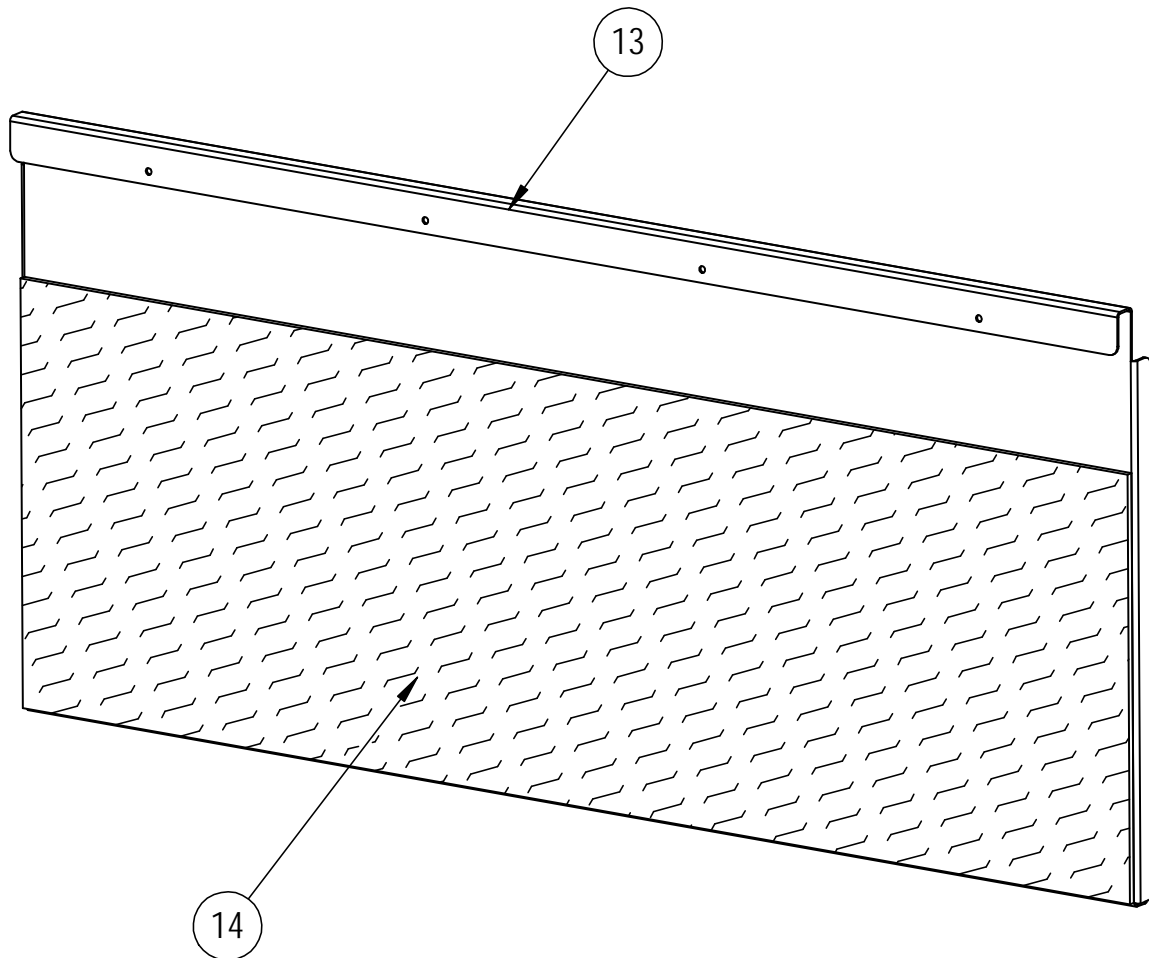
Drawing No.	Part No.	Description	CRV-F5
1	127-577	BASE	1
15	5021-2728	X32-0604-0604	2

ACTUATOR ASSEMBLY



Drawing No.	Part No.	Description	CRV-F5
23	8602-094	ON/OFF ACTUATOR	1
25	8602-091	1/4" X 8-1/2" ROD	1
26	8602-008	BALL JOINT	2
27	141-518	ACTUATOR BRACKET	1
28	7961-955	ACTUATOR BLADE POSITION LABEL	1
29	105-1499	ACTUATOR BLADE STOP	1
30	1012-086	SCREW	1
31	1012-154	WASHER #10 FLAT	1

EXHAUST BLADE ASSEMBLY



SEXP-1041

Drawing No.	Part No.	Description	CRV-F5
13	139-417	EXHAUST DAMPER BLADE	1
14	1913-124	INSULATION	1