
REPLACEMENT PARTS MANUAL

Wall-Mounted Gas/Electric Commercial Room Ventilator with Exhaust

Models:

WGCRVS-3C WGCRVS-5C

General Notes

- Revised and/or additional pages may be issued from time to time.
- A complete and current manual consists of pages shown in the following contents section.

Important

- Contact the installing and/or local Bard distributor for all parts requirements. Be sure to have the complete model and serial number available from the unit rating plates.

Contents

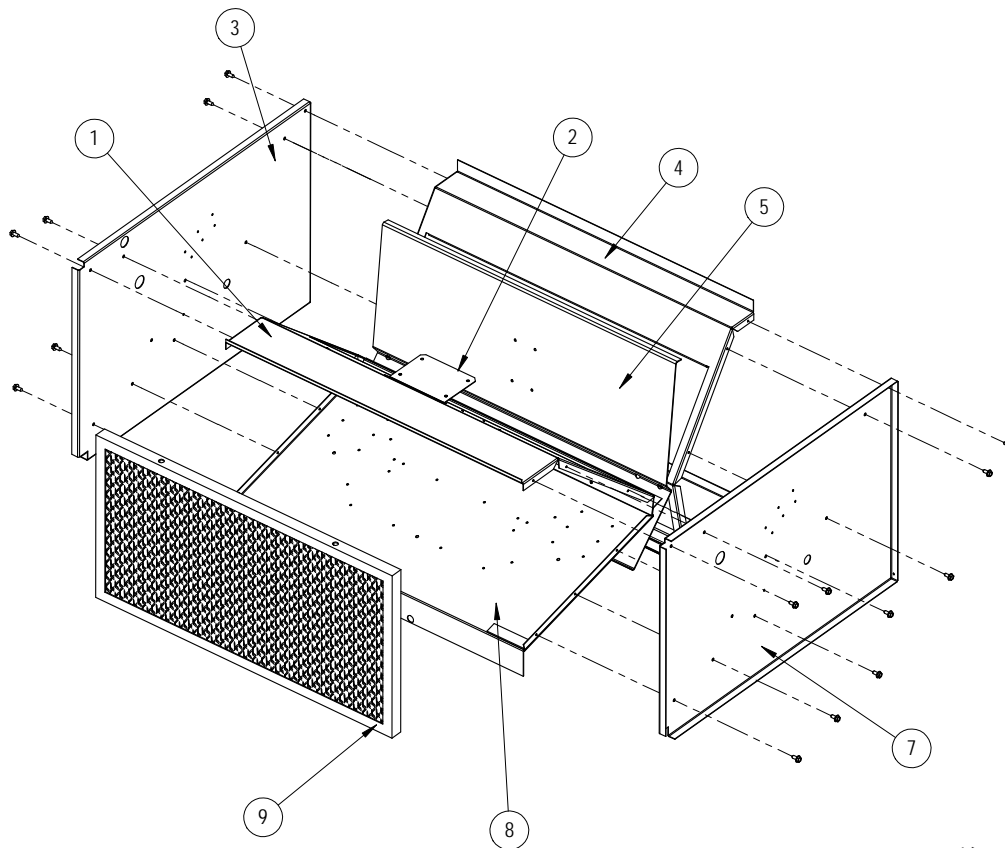
<u>Description</u>	<u>Page</u>
Cabinet Components	
♦ Exploded View	2
♦ Usage List	2
Functional Components	
♦ Exploded View	3
♦ Usage List	3
Actuator Replacement Parts Reference Guide.....	4



Bard Manufacturing Company, Inc.
Bryan, Ohio 43506
www.bardhvac.com

Manual: 2110-1141A
Supersedes: 2110-1141
Date: 8-10-22

CABINET COMPONENTS

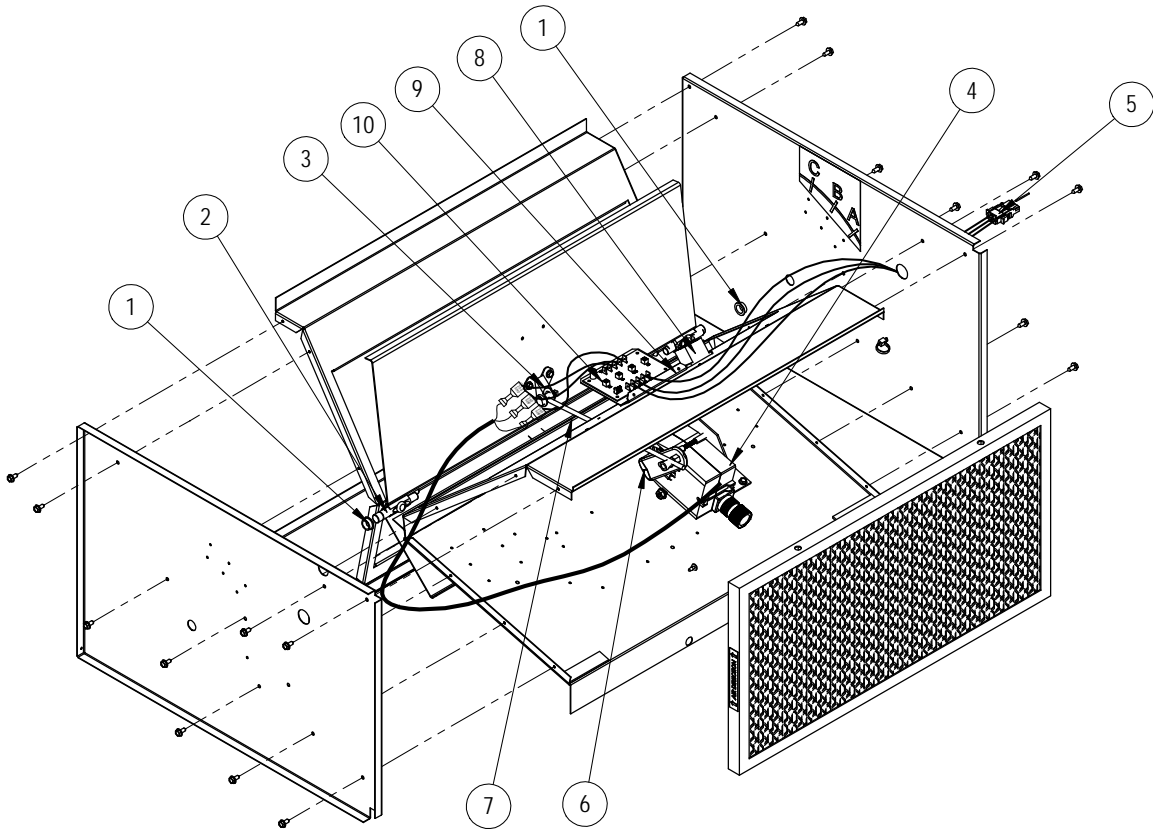


SEXP-358 A

Drawing No.	Part No.	Description	WGCRVS-3C	WGCRVS-5C
1	S137-457	Front Fill	X	
1	S137-442	Front Fill		X
2	113-907	CRV Board Bracket	X	X
3	S101Y402	Left Side	X	
3	S101Y378	Left Side		X
4	S137-458	Rear Fill	X	
4	S137-464	Rear Fill		X
5	S139-162	Damper Blade	X	
5	S139-139	Damper Blade		X
7	S101X402	Right Side	X	
7	S101X378	Right Side		X
8	S127-322	Base	X	
8	S127-303	Base		X
9	7003-058	Mist Eliminator	X	
9	7003-054	Mist Eliminator		X
NS	136-459	Bottom Fill	X	
NS	136-465	Bottom Fill		X
NS	542-134	Fill Plate Assembly with Screen	X	
NS	542-139	Fill Plate Assembly with Screen		X

NS = Not Shown

FUNCTIONAL COMPONENTS



SEXP-360 B

Drawing No.	Part No.	Description	WGCRVS-3C	WGCRVS-5C
1	8602-052	Bushing	2	2
2	8602-038	Damper Blade Pin	2	2
3	8602-040	Bracket	X	X
4	See page 4	Damper Motor	X	X
5	3000-1712	Wire Assembly	X	X
6	8602-008	Ball Joint	X	X
7	8602-044	Rod	X	
7	8602-047	Rod		X
8	8201-130	Relay	X	X
9	113-907	CRV Control Board Bracket	X	X
10	8201-167	CRV Control Board	X	X
NS	3000-1715	Wire Harness - Damper to Unit	X	X

NS = Not Shown

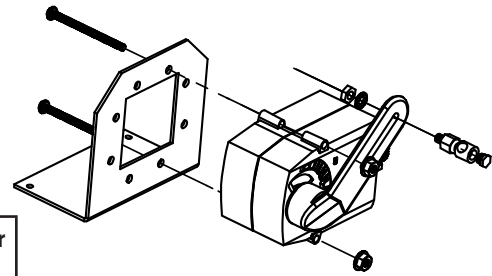
ACTUATOR REPLACEMENT PARTS REFERENCE GUIDE

Belimo Actuator

If the V option CRV was produced after 8/10/22, it will most likely have a Belimo actuator assembly (see image). These include the vent models and assembly numbers listed in the table. Use replacement part numbers listed in table.

Vent Model	Assembly	Actuator Bracket	Actuator Motor & Hardware	Entire Actuator Assembly
WGCRVS-3C	920-0565	113-962	8602-117	910-2230
WGCRVS-5C	920-0566	113-962	8602-117	910-2230
WGSCRVMP-5A	920-0570	113-962	8602-117	910-2230

Belimo Actuator Assembly

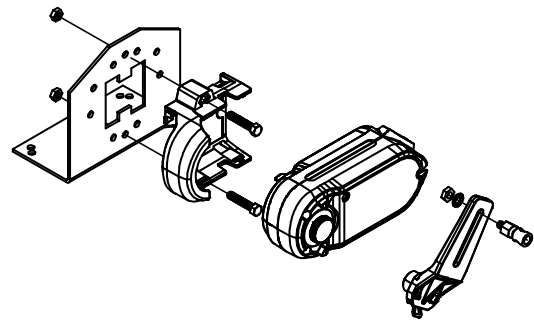


Honeywell Diamond Actuator

If the V option CRV was produced between 12/31/21 and 8/10/22, it will most likely have a Honeywell Diamond actuator assembly (see image). These include the vent models and assembly numbers listed in the table. Please use the new Belimo 910- assemblies listed as drop-in replacement for the Diamond actuator or any associated parts.

Vent Model	Assembly	Entire Actuator Assembly (Use to replace 910-2187, 8602-114 or 8602-115)
WGCRVS-3C	920-0533	910-2230
WGCRVS-5C	920-0532	910-2230
WGSCRVMP-5A	920-0537	910-2230

Honeywell Diamond Actuator Assembly
(Obsolete)

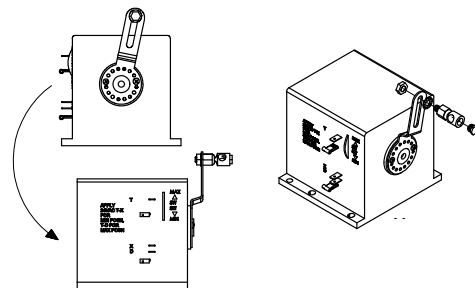


Honeywell Black Box Actuator

If the V option vent was produced before 12/31/21, it will most likely have one of the Honeywell Black Box actuator models listed in the table. Use replacement motors from service stock until depleted. If stock is depleted, use the associated replacement kit number in table.

Vent Model	Assembly	Bard Part #	Honeywell Black Box Part #	Actuator Replacement Kit
WGCRVS-3B	920-0060	8602-020	M8405A1006	8620-353
WGCRVS-5B	920-0058	8602-020	M8405A1006	8620-353
WGSCRVMP-5	920-0042	8602-037	M7415A1004	8620-354

Honeywell Black Box Actuator Assembly
(Obsolete)



MIS-4389