
REPLACEMENT PARTS MANUAL

Wall-Mounted Gas/Electric Commercial Room Ventilator

Model:
WGSCRVMP-5A

General Notes

- Revised and/or additional pages may be issued from time to time.
- A complete and current manual consists of pages shown in the following contents section.

Important

- Contact the installing and/or local distributor for all parts requirements. Make sure to have the complete model and serial number available from the unit rating plates.

Contents

Description	Page
Functional and Cabinet Components	
♦ Exploded View	2
♦ Usage List	3
Control Board Assembly Components	
♦ Layout View	4
♦ Usage List	4

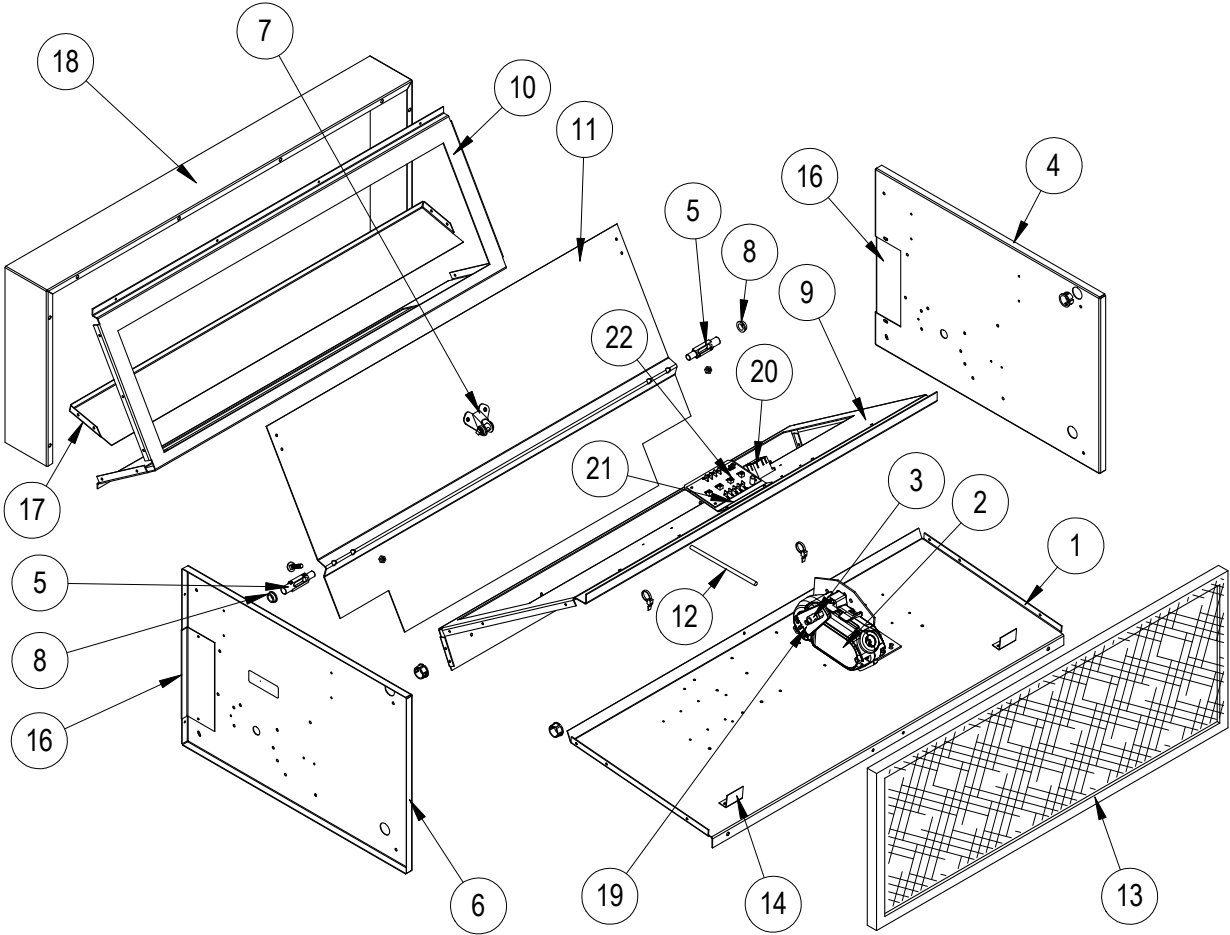


Climate Control Solutions

Bard Manufacturing Company, Inc.
Bryan, Ohio 43506
www.bardhvac.com

Manual: 2110-1142
Supersedes: **NEW**
Date: 12-7-21

FUNCTIONAL AND CABINET COMPONENTS



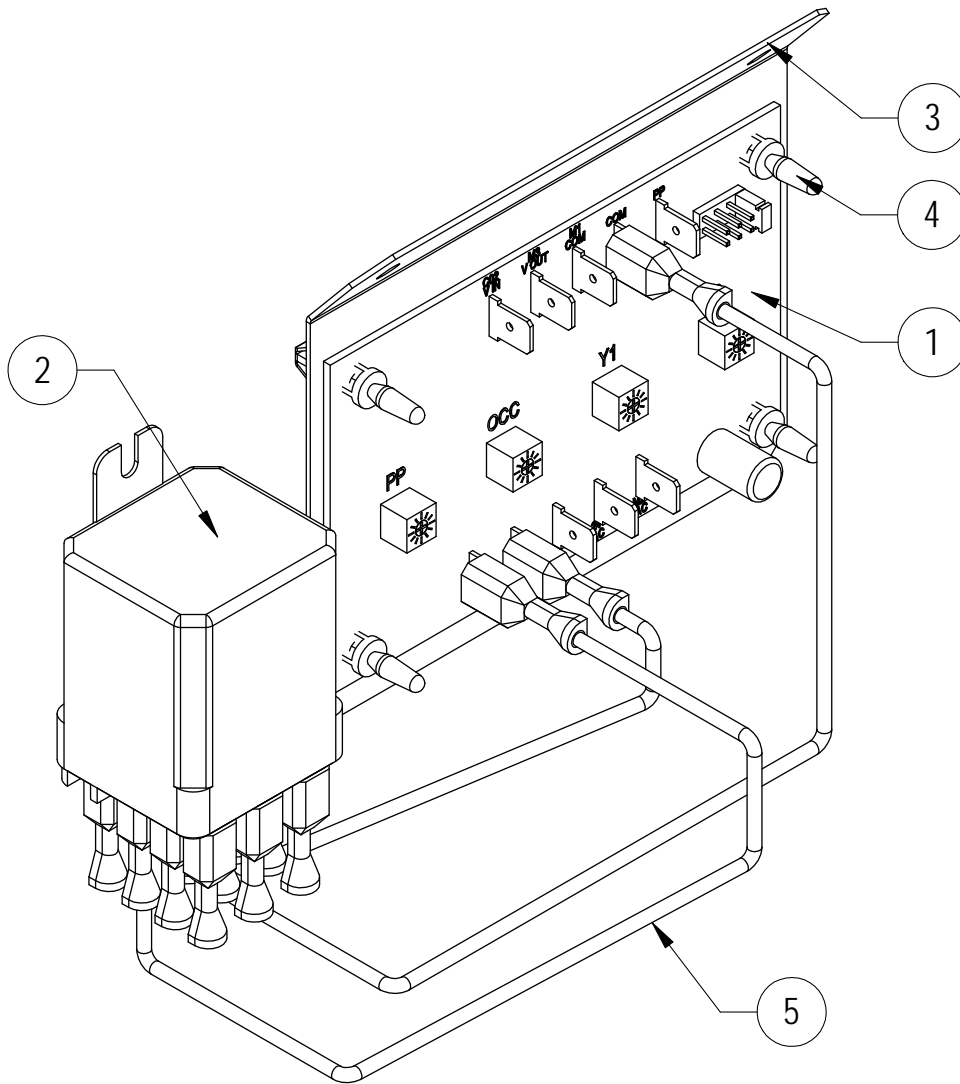
SEXP-439 B

FUNCTIONAL AND CABINET COMPONENTS

Drawing No.	Part No.	Description	WGSCRMP-5A
1	127-215	Base	X
2	8602-114	Motor	X
3	8602-008	Ball Joint	X
4	100X440	Right End	X
5	8602-038	Damper Blade Pin	2
6	100Y440	Left End	X
7	8602-040	Bracket	X
8	8602-039	Bronze Bushing	2
9	137-218	Front Fill	X
10	137-481	Return Fill	X
11	139-180	Damper Blade	X
12	8602-042	Rod	X
13	7003-035	Mist Eliminator	X
14	131-095	Filter Stop	2
16	136-486	Side Fill	2
17	136-483	Exhaust Partition	X
18	566-025	Sleeve	X
19	8602-115	Crank Arm Kit (includes Mounting Bracket)	X
20	Control Board Assembly	See Control Board Assembly Components on page 4	X
21			X
22			X
NS	542-110	Fill Plate with Screen	X
NS	4056-264	Wiring Diagram	X

NS = Not Shown

CONTROL BOARD ASSEMBLY COMPONENTS



SEXP-1061

WGSCRMP-5A

Drawing No.	Part No.	Description	
1	8201-167	3-Position CRV Control Board	X
2	8201-048	Relay, DPDT, 5A @ 277V	X
3	112-907	CRV Board Bracket	X
4	8611-080	Mounting Support, 3/8" Locking	4
5	3000-1716	Wire Assembly	X
NS	3000-1714	Wire Assembly - Damper to Unit	X

NS = Not Shown