
REPLACEMENT PARTS MANUAL

Commercial Room Ventilator

Models:

CRVS-3A CRVS-5A

General Notes

- Revised and/or additional pages may be issued from time to time.
- A complete and current manual consists of pages shown in the following contents section.

Important

- Contact the installing and/or local Bard distributor for all parts requirements. Be sure to have the complete model and serial number available from the unit rating plates.

Contents

<u>Description</u>	<u>Page</u>
Functional and Cabinet Components	
♦ CRVS-3A Exploded View	2
♦ CRVS-5A Exploded View	3
♦ Usage List	4
Actuator Replacement Parts Reference Guide.....	5



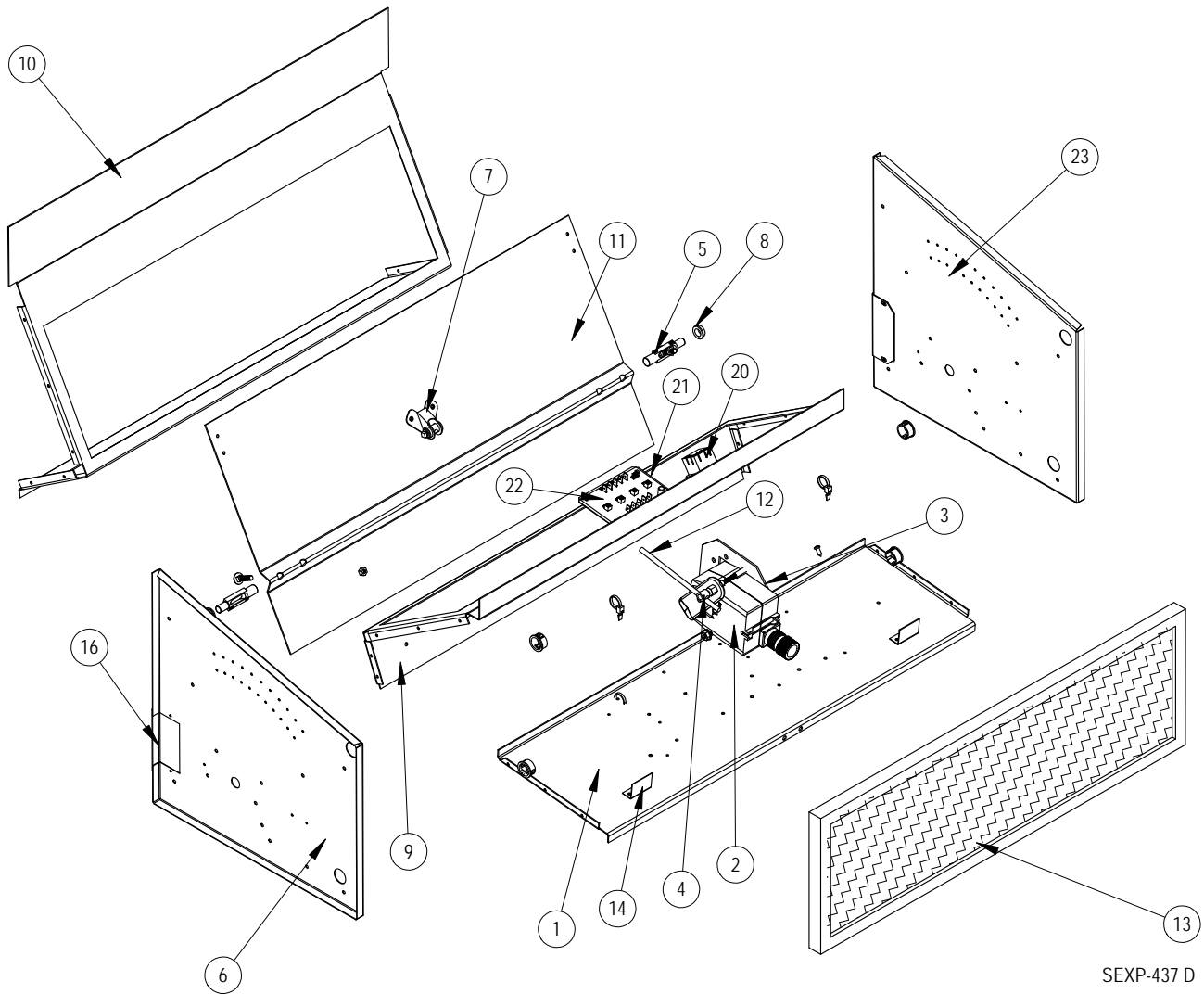
Climate Control Solutions

Bard Manufacturing Company, Inc.
Bryan, Ohio 43506
www.bardhvac.com

Manual: 2110-1143B
Supersedes: 2110-1143A
Date: 10-31-22

FUNCTIONAL and CABINET COMPONENTS

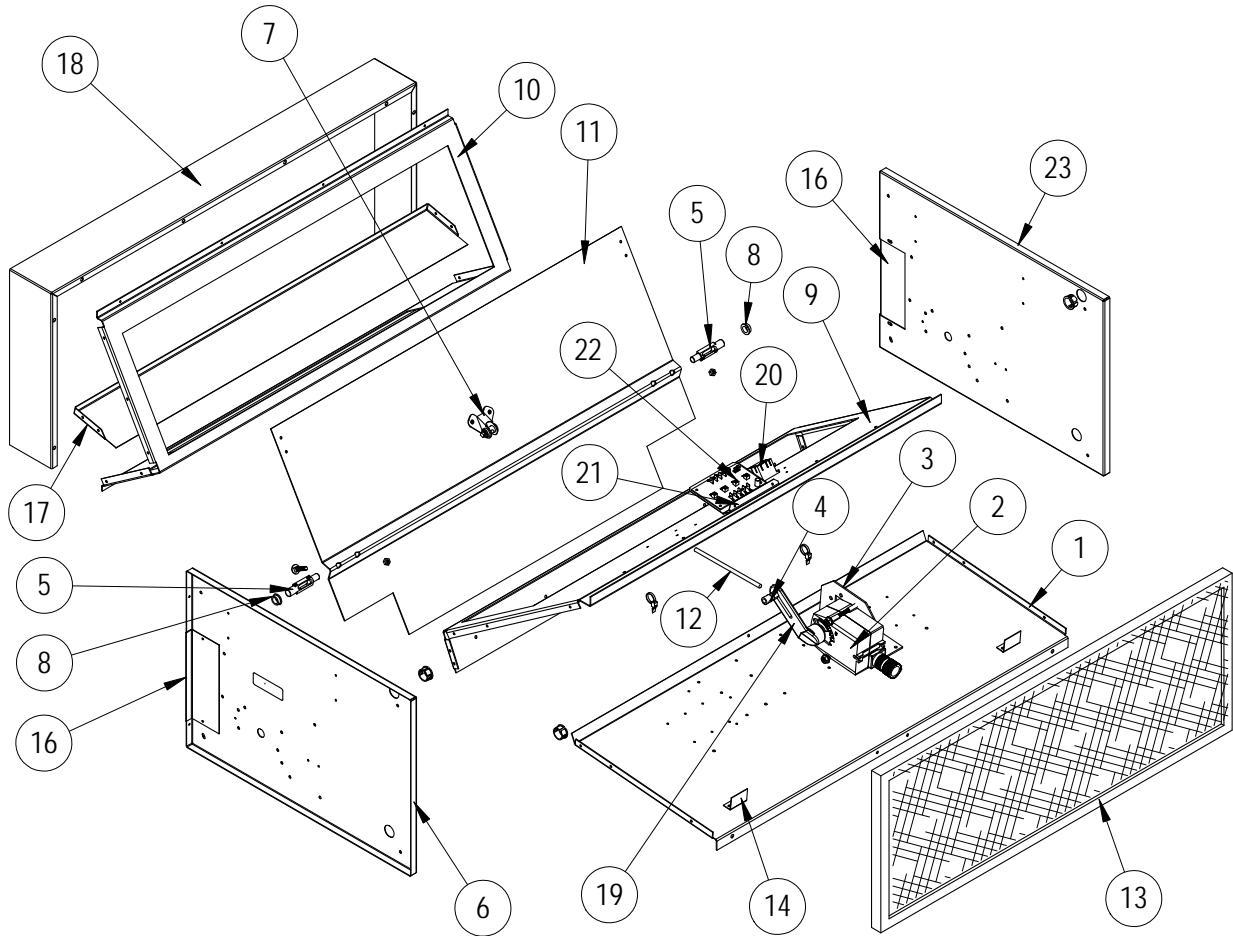
CRVS-3A



SEXP-437 D

FUNCTIONAL and CABINET COMPONENTS

CRVS-5A



SEXP-439 D

FUNCTIONAL and CABINET COMPONENTS

Drawing No.	Part No.	Description	CRVS-3A	CRVS-5A
1	127-212	Base	X	
1	127-215	Base		X
2	See page 5	Damper Motor	X	X
3	See page 5	Actuator Bracket	X	X
4	8602-008	Ball Joint	X	X
5	8602-038	Damper Blade Pin	2	2
6	S100Y434	Left End	X	
6	S100Y440	Left End		X
7	8602-040	BKP-24 Bracket	X	X
8	8602-039	Bronze Bushing	2	2
9	S137-178	Front Fill	X	
9	S137-218	Front Fill		X
10	S137-481	Return Fill		X
10	S137-484	Return Fill	X	
11	S139-180	Damper Blade		X
11	S139-181	Damper Blade	X	
12	8602-042	Rod	X	X
13	7003-033	Mist Eliminator	X	
13	7003-035	Mist Eliminator		X
14	131-095	Filter Stop	2	2
16	137-485	Side Fill	2	
16	137-486	Side Fill		2
17	137-483	Exhaust Partition		X
20	8201-130	Relay	X	X
21	113-907	CRV Board Bracket	X	X
22	8201-167	CRV Control Board	X	X
23	S100X434	Right End	X	
23	S100X440	Right End		X
NS	7002-028	Screen Media	X	X
NS	3003-115	Wire Harness	X	X
NS	4056-261	Wiring Diagram	X	X

NS = Not Shown

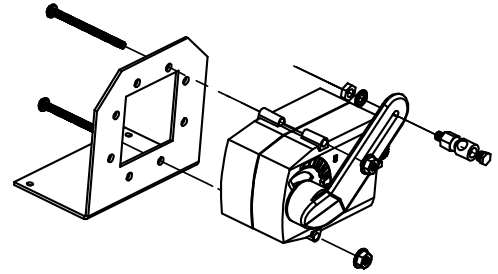
ACTUATOR REPLACEMENT PARTS REFERENCE GUIDE

Belimo Actuator

If the V option CRV was produced after 8/10/22, it will most likely have a Belimo actuator assembly (see picture). These include the vent models and assembly numbers listed in the table. Use replacement part numbers listed in table.

Original Assemblies		Available Service Parts		
Vent Model	Vent Assembly	Actuator Bracket	Actuator Motor & Hardware	Entire Actuator Assembly
CRVS-3A	920-0567	113-965	8602-117	910-2231
CRVS-5A	920-0568	113-962	8602-117	910-2230
CHCRV-5A	920-0569	113-964	8602-117	910-2232

Belimo Actuator Assembly

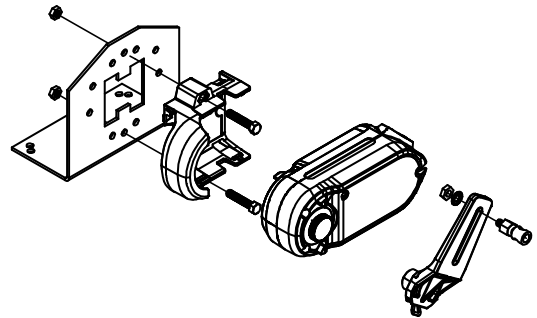


Honeywell Diamond Actuator

If the V option CRV was produced between 2/28/22 and 8/10/22, it will most likely have a Honeywell Diamond actuator assembly (see picture). These include the vent models and assembly numbers listed in the table. Please use the new Belimo 910-assemblies listed as drop-in replacement for the Diamond actuator or any associated parts.

Original Assemblies		Available Service Parts
Vent Model	Vent Assembly	Entire Actuator Assembly (Use to replace 910-2187, 910-2192, 910-2193, 8602-114 or 8602-115)
CRVS-3A	920-0534	910-2231
CRVS-5A	920-0535	910-2230
CHCRV-5A	920-0536	910-2232

Honeywell Diamond Actuator Assembly
(Obsolete)

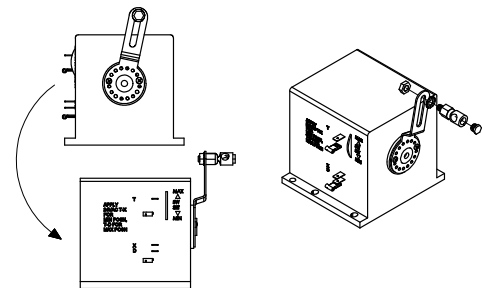


Honeywell Black Box Actuator

If the V option vent was produced before 2/28/22, it will most likely have one of the Honeywell Black Box actuator models listed in the table. Use replacement motors from service stock until depleted. If stock is depleted, use the associated replacement kit number in table.

Original Assemblies & Part Numbers				Available Service Parts
Vent Model	Vent Assembly	Bard Part #	Honeywell Black Box Part #	Actuator Replacement Kit
CRVS-3	920-0004	8602-020	M8405A1006	8620-353
CRVS-5	920-0009	8602-020	M8405A1006	8620-353
CRVMWH-3	920-0090	8602-017	M7415A1006	8620-354
--	920-0268	8602-020	M8405A1006	8620-353
CHCRV-5	920-0040	8602-017	M7415A1006	8620-354

Honeywell Black Box Actuator Assembly
(Obsolete)



MIS-4390