
REPLACEMENT PARTS MANUAL

Commercial Room Ventilator

Models:

CRVS-3A CRVS-5A

General Notes

- Revised and/or additional pages may be issued from time to time.
- A complete and current manual consists of pages shown in the following contents section.

Contents

<u>Description</u>	<u>Page</u>
Functional and Cabinet Components	
♦ CRVS-3A Exploded View	2
♦ CRVS-5A Exploded View	3
♦ Usage List.....	4

Important

- Contact the installing and/or local Bard distributor for all parts requirements. Be sure to have the complete model and serial number available from the unit rating plates.

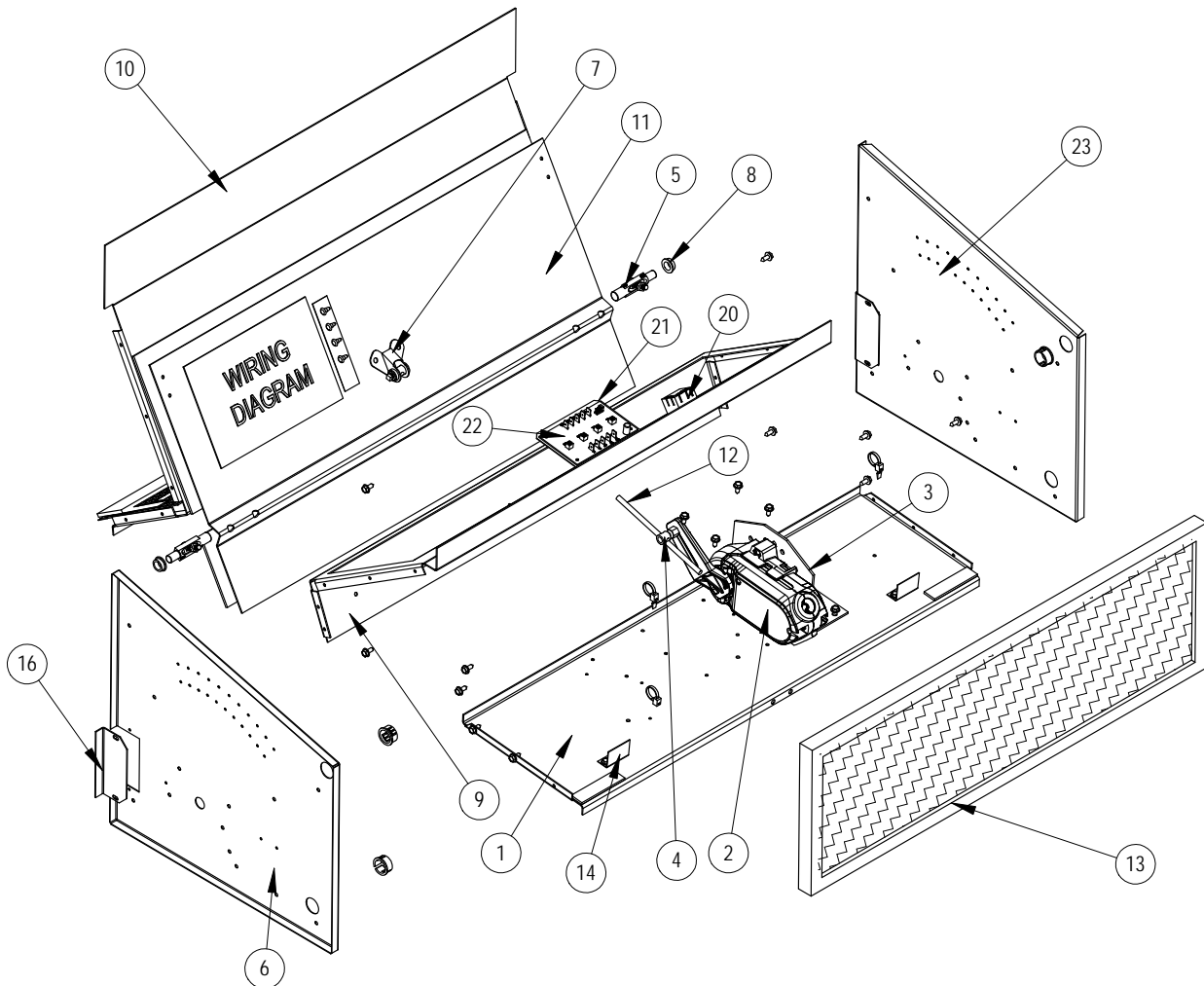


Bard Manufacturing Company, Inc.
Bryan, Ohio 43506
www.bardhvac.com

Manual: 2110-1143
Supersedes: **NEW**
Date: 12-8-21

FUNCTIONAL and CABINET COMPONENTS

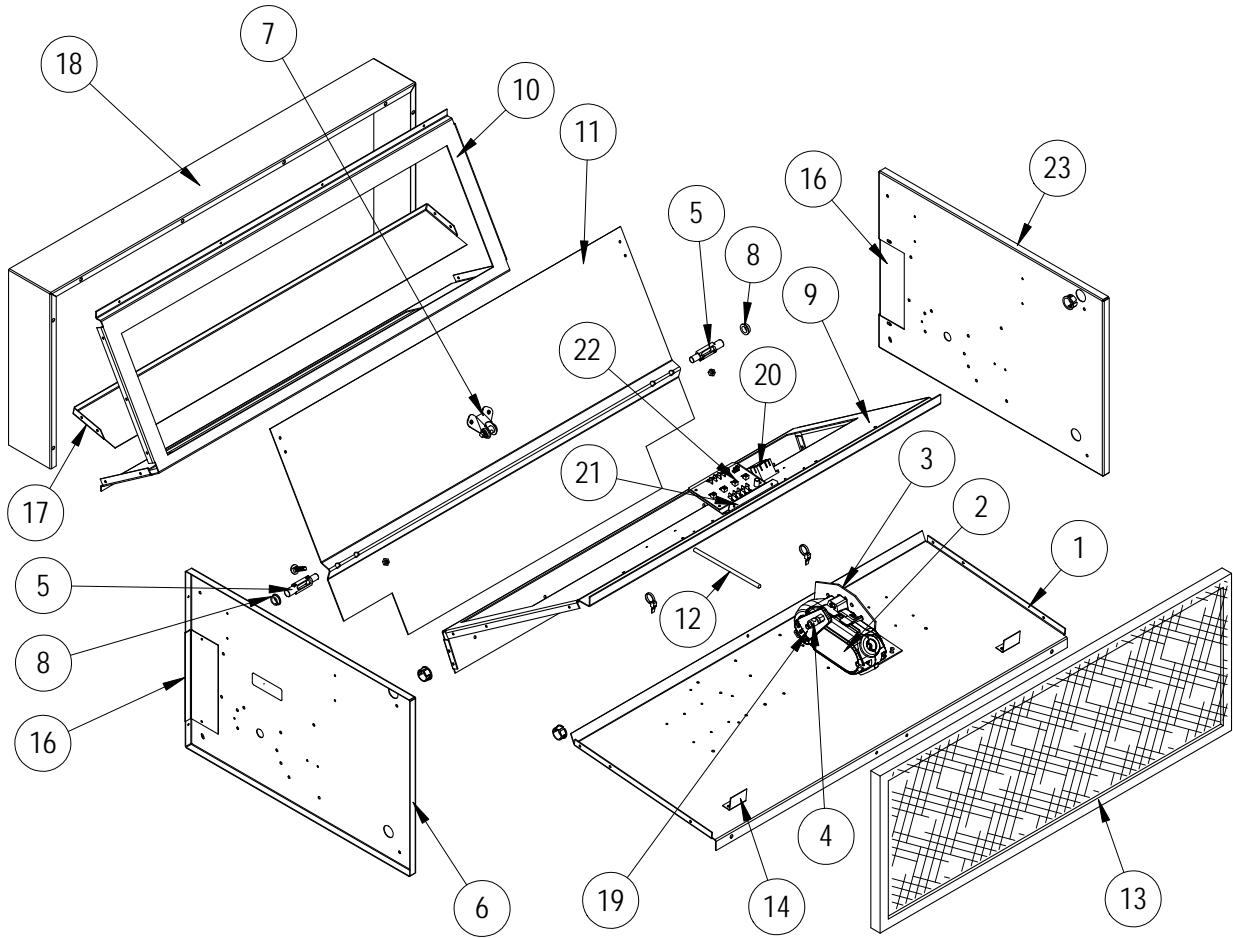
CRVS-3A



SEXP-437 C

FUNCTIONAL and CABINET COMPONENTS

CRVS-5A



SEXP-439 C

FUNCTIONAL and CABINET COMPONENTS

Drawing No.	Part No.	Description	CRVS-3A	CRVS-5A
1	127-212	Base	X	
1	127-215	Base		X
2	8602-114	Motor	X	X
3	8602-115	Crank Arm Kit	X	X
4	8602-008	Ball Joint	X	X
5	8602-038	Damper Blade Pin	2	2
6	S100Y434	Left End	X	
6	S100Y440	Left End		X
7	8602-040	BKP-24 Bracket	X	X
8	8602-039	Bronze Bushing	2	2
9	S137-178	Front Fill	X	
9	S137-218	Front Fill		X
10	S137-481	Return Fill		X
10	S137-484	Return Fill	X	
11	S139-180	Damper Blade		X
11	S139-181	Damper Blade	X	
12	8602-042	Rod	X	X
13	7003-033	Mist Eliminator	X	
13	7003-035	Mist Eliminator		X
14	131-095	Filter Stop	2	2
16	137-485	Side Fill	2	
16	137-486	Side Fill		2
17	137-483	Exhaust Partition		X
20	8201-130	Relay	X	X
21	113-907	CRV Board Bracket	X	X
22	8201-167	CRV Control Board	X	X
23	S100X434	Right End	X	
23	S100X440	Right End		X
NS	7002-028	Screen Media	X	X
NS	3003-115	Wire Harness	X	X
NS	4056-261	Wiring Diagram	X	X

NS = Not Shown