
REPLACEMENT PARTS MANUAL

Commercial Room Ventilator

Models:
CHCRV-5A

General Notes

- Revised and/or additional pages may be issued from time to time.
- A complete and current manual consists of pages shown in the following contents section.

Contents

<u>Description</u>	<u>Page</u>
Functional and Cabinet Components	
♦ Exploded View	2
♦ Usage List	3

Important

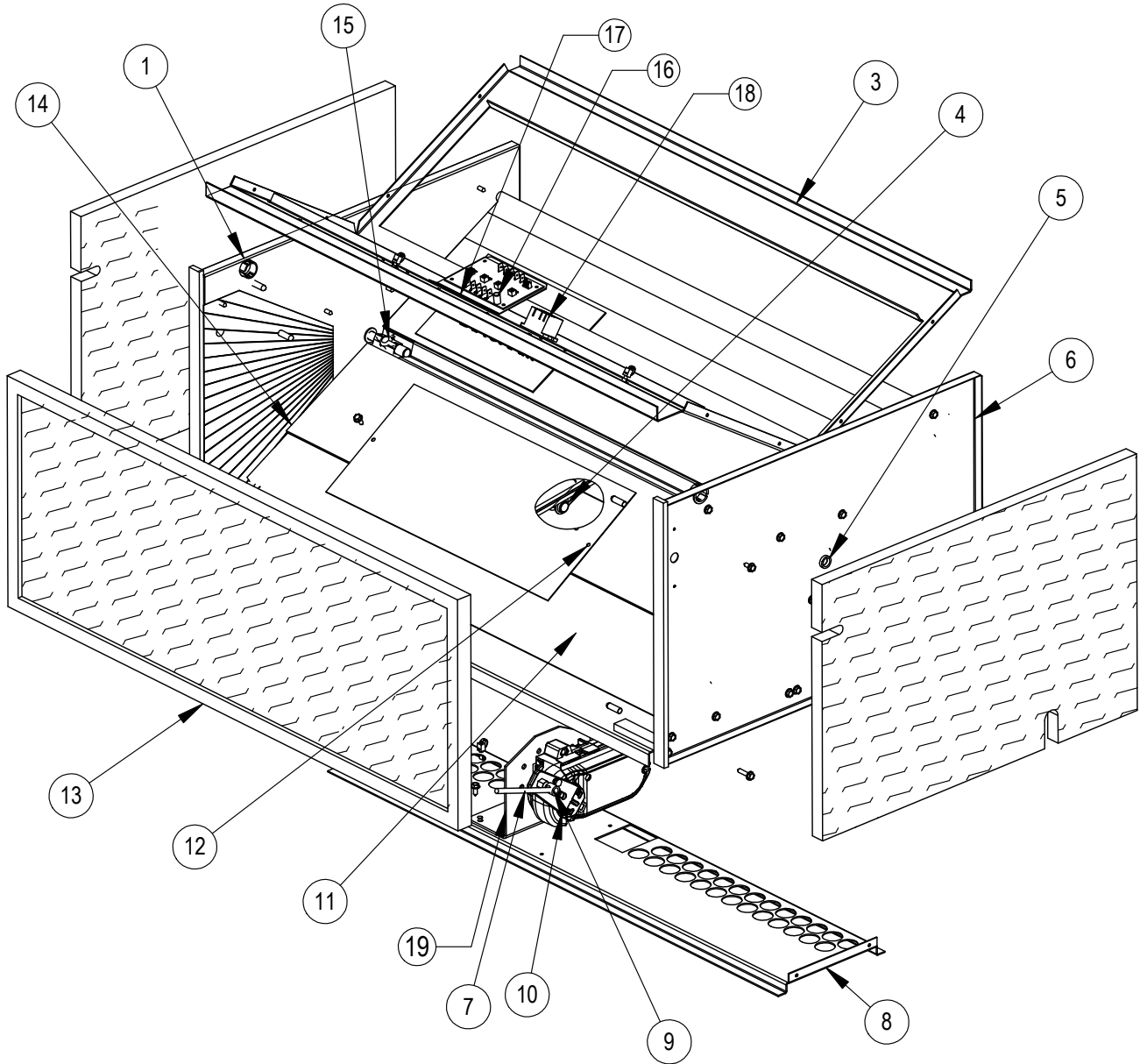
- Contact the installing and/or local Bard distributor for all parts requirements. Be sure to have the complete model and serial number available from the unit rating plates.



Bard Manufacturing Company, Inc.
Bryan, Ohio 43506
www.bardhvac.com

Manual: 2110-1144
Supersedes: **NEW**
Date: 12-8-21

FUNCTIONAL and CABINET COMPONENTS



SEXP-482 B

FUNCTIONAL and CABINET COMPONENTS

Drawing No.	Part No.	Description	CHCRV-5A
1	S101Y499	Left Side	X
3	S120-424	Upper Partition	X
4	8602-040	Bracket	X
5	8602-039	Bushing	2
6	S101X499	Right Side	X
7	8602-048	Rod - 4-3/4" x 1/4"	X
8	126-340	Motor Base	X
9	8602-008	Ball Joint	X
10	8602-114	2-10VDC Actuator	X
11	S120-425	Lower Partition	X
12	S142-099	Cover Plate	X
13	7003-035	Mist Eliminator	X
14	S138-182	Damper Blade	X
15	8602-040	Damper Pin	2
16	8201-167	Vent Control	X
17	113-907	CRV Board Bracket	X
18	8201-130	SPST Relay	X
19	8602-115	Crank Arm Kit	X
NS	3003-115	Wire Harness	X
NS	4056-261	Wiring Diagram	X

NS = Not Shown