
REPLACEMENT PARTS MANUAL

Economizer

Models:

ECON-S2 ECON-S3

General Notes

- Revised and/or additional pages may be issued from time to time.
- A complete and current manual consists of pages shown in the following contents section.

Important

- Contact the installing and/or local Bard distributor for all parts requirements. Make sure to have the complete model and serial number available from the unit rating plates.

Contents

Description	Page
ECONS-2, ECONS-3 Economizer	
♦ Exploded View	2
♦ Usage List	3
Blade Assembly	
♦ Layout View	4
♦ Usage List	4
Actuator Assembly	
♦ Exploded View	5
♦ Usage List	5
Control Panel Assembly	
♦ Layout View	6
♦ Usage List	7

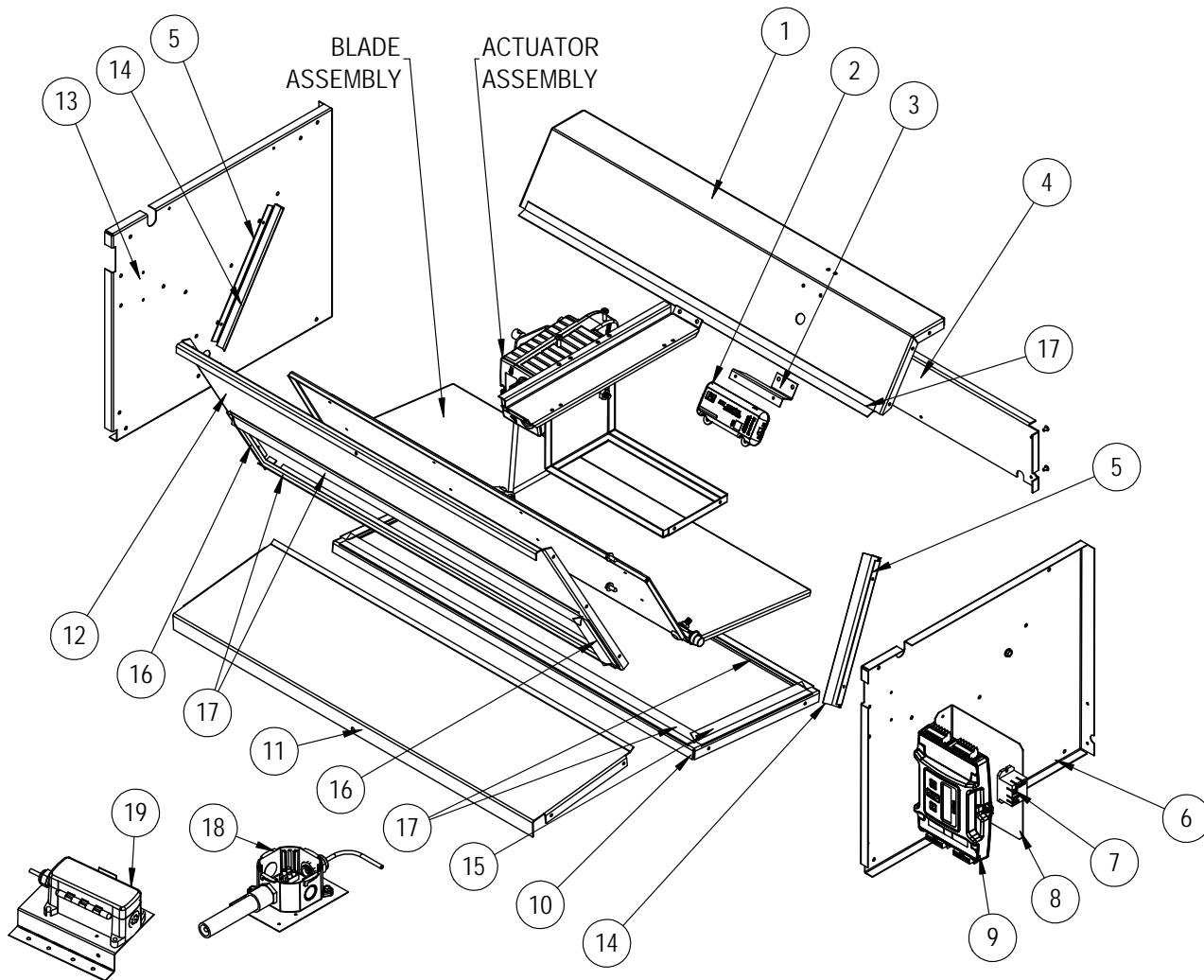


Climate Control Solutions

Bard Manufacturing Company, Inc.
Bryan, Ohio 43506
www.bardhvac.com

Manual: 2110-1146
Supersedes: **NEW**
Date: 7-13-23

ECONS-2, ECONS-3 ECONOMIZER



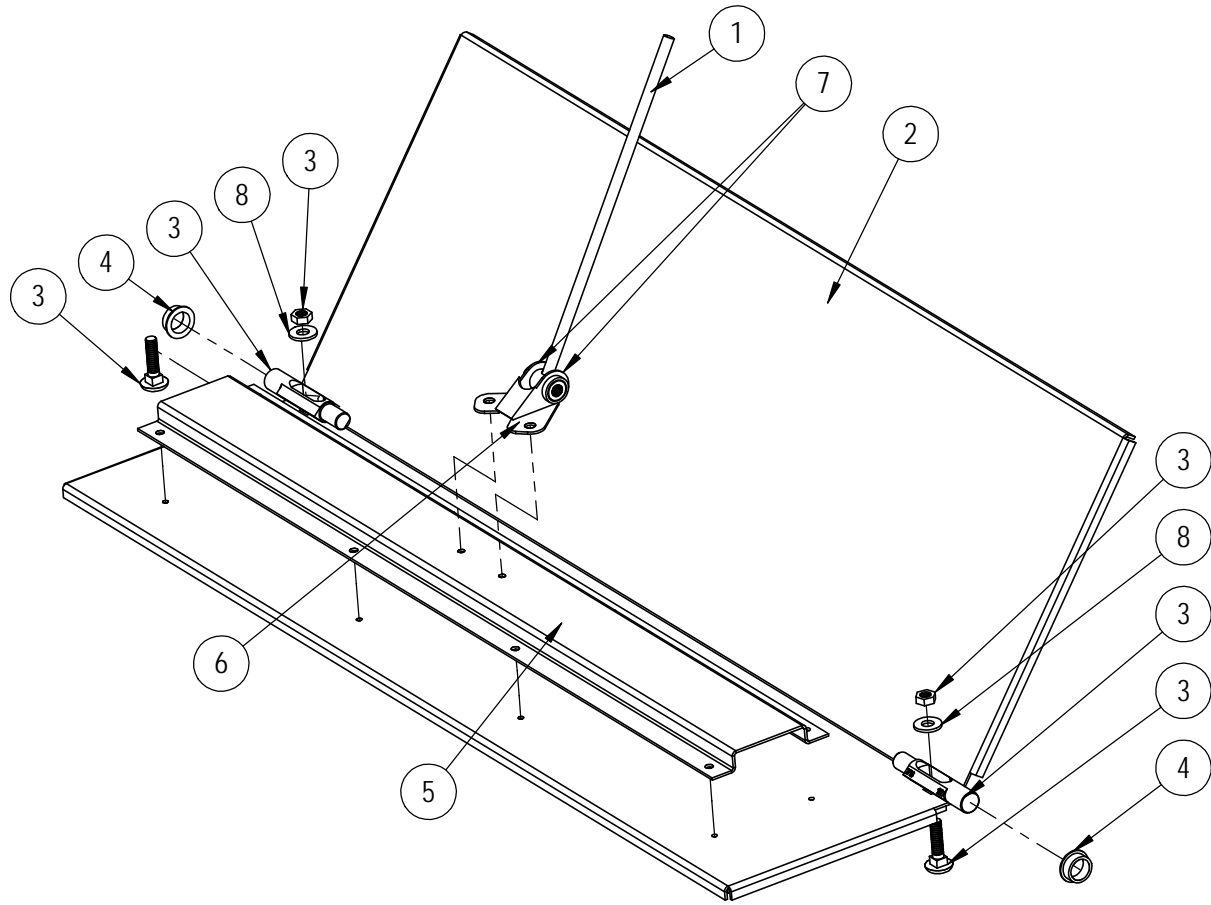
SEXP-1066

ECONS-2, ECONS-3 ECONOMIZER

Drawing No.	Part No.	Description	ECON-S2	ECON-S3
1	137-864BX	Upper Rear Partition	X	
1	137-935BX	Upper Rear Partition		X
2	8602-058BX	Temperature Sensor	X	X
3	113-433BX	Temperature Sensor Bracket	X	X
4	137-874BX	Lower Rear Fill	X	
4	137-873BX	Lower Rear Fill		X
5	105-1344BX	Blade Seal Angle	2	2
6	101X955BX	Right Side	X	X
7	8201-130BX	Relay, SPDT Pilot Duty	X	X
8	113-801BX	Right/Left Jade Module Plate	X	X
9	8602-056-0003BX	Programmed Economizer Module	X	X
10	137-744BX	Lower Rear Partition	X	
10	137-740BX	Lower Rear Partition		X
11	137-869BX	Lower Front Partition	X	
11	137-829BX	Lower Front Partition		X
12	137-868BX	Upper Front Partition	X	
12	137-828BX	Upper Front Partition		X
13	101Y955BX	Left Side	X	X
14	1921-067-0800	8" Damper Blade Seal	2	2
15	1921-067-0802	8-1/8" Damper Blade Seal	2	2
16	1921-067-0410	4-5/8" Damper Blade Seal	2	2
17	1921-067-2006	20-3/8" Damper Blade Seal	4	
17	1921-067-2504	25-1/4" Damper Blade Seal		4
18	910-1937BX	Outdoor Temperature Sensor Assembly	X	X
19	910-1938BX	Outdoor Enthalpy Sensor Assembly	X	X
NS	136-1013BX	Return Fill Plate		X
NS	136-1014BX	Return Fill Plate	X	
NS	7003-075	Mist Filter		X
NS	7003-076	Mist Filter	X	

NS – Not Shown

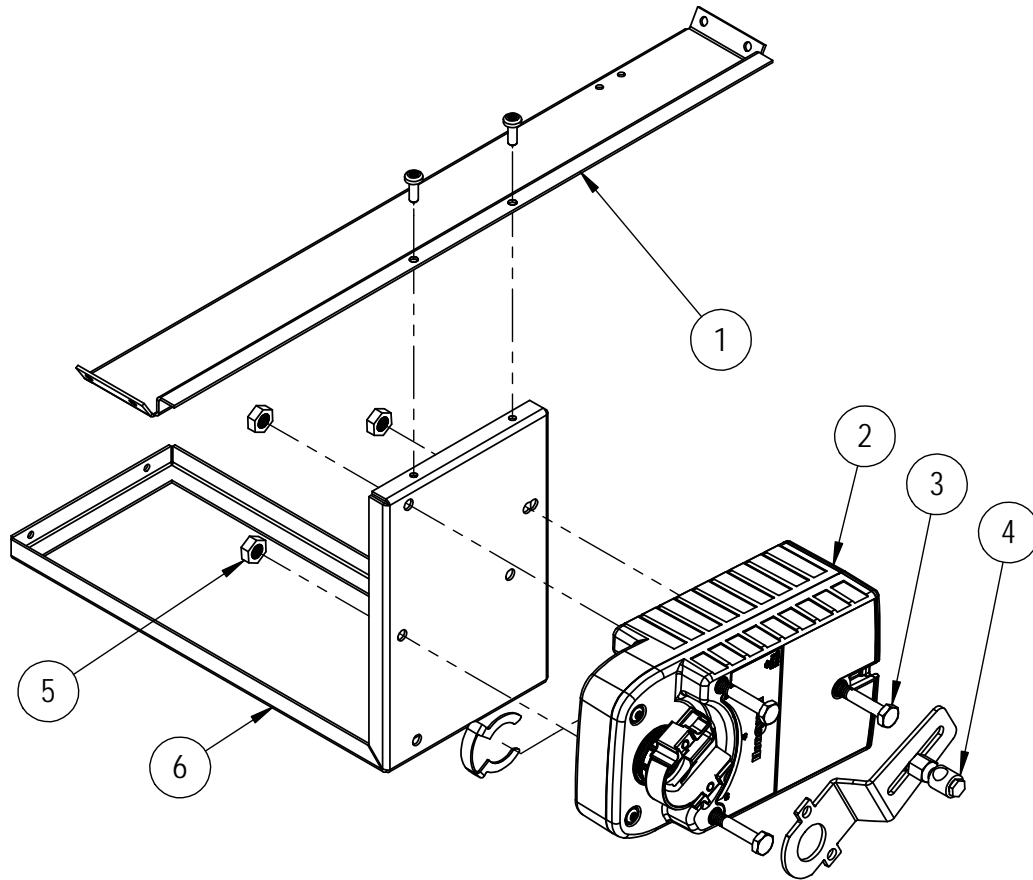
BLADE ASSEMBLY



SEXP-920

Drawing No.	Part No.	Description	ECON-S2	ECON-S3
1	8602-044	1/4 X 7-1/2" Rod	X	X
2	139-355BX	Blade	X	
2	139-352BX	Blade		X
3	8602-038	Damper Pin with Hardware	2	2
4	8602-052	1/2" I.D. Bronze Bushing	2	2
5	141-433BX	Blade Support	X	
5	141-430BX	Blade Support		X
6	8602-040	BKP-24 Bracket	X	X
7	1012-348	Nylon Flat Washer	2	2
8	1012-157	Washer	2	2

ACTUATOR ASSEMBLY

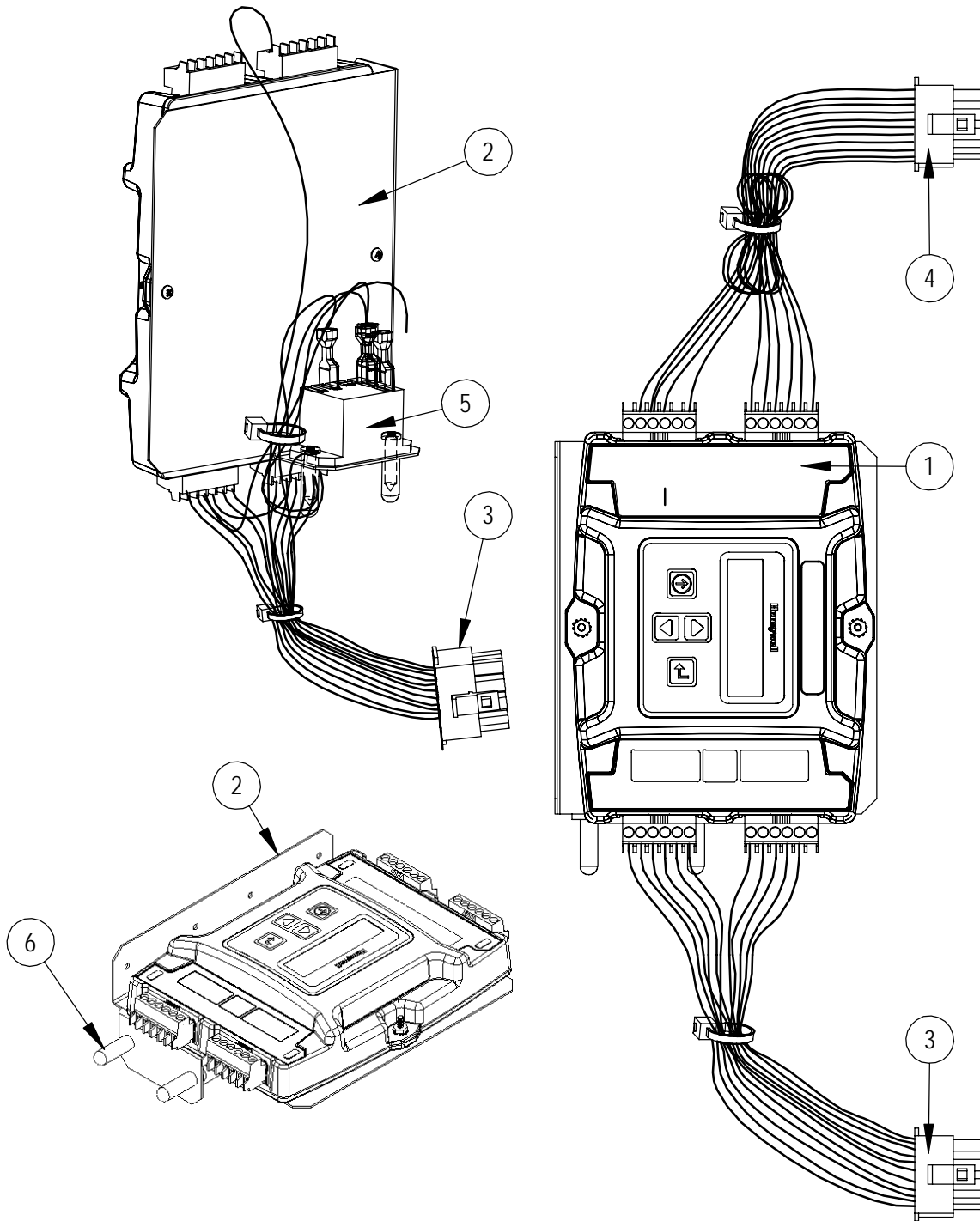


SEXP-919

Drawing No.	Part No.	Description	ECON-S2	ECON-S3
1	141-464BX	Actuator Support	X	X
2	8602-079BX	Actuator Motor with Crank Arm	X	X
3	1012-174	1/4"-20X3 -1/4 Hex Screw	3	3
4	8602-008	Ball Joint	X	X
5	1012-201	1/4-20 Hex Nut	3	3
6	141-465BX	Actuator Mount	X	
6	141-466BX	Actuator Mount		X
NS	1012-128	10-16X5/8" Torx PANHD Platinum	2	2

NS – Not Shown

CONTROL PANEL ASSEMBLY



SEXP-953

CONTROL PANEL ASSEMBLY

Drawing No.	Part No.	Description	ECON-S2	ECON-S3
1	8602-056-0003BX	Programmed Economizer Module	X	X
2	113-801BX	Right/Left Jade Module Plate	X	X
3	3000-1523BX	Wire Assembly	X	X
4	3000-1647BX	Wire Assembly	X	X
5	8201-130BX	Relay, SPDT Pilot Duty	X	X
6	5816-017	Vinyl Cap	X	X