
REPLACEMENT PARTS MANUAL

WALL MOUNTED PACKAGE AIR CONDITIONER

Models:

W42L2-A W48L2-A W60L2-A W70L2-A
W42L2-B W48L2-B W60L2-B W70L2-B
W42L2-C W48L2-C W60L2-C W70L2-C
W42L2-F W48L2-F W60L2-F W70L2-F

General Notes

- Revised and/or additional pages may be issued from time to time.
- A complete and current manual consists of pages shown in the following contents section.

Important

- Contact the installing and/or local Bard distributor for all parts requirements. Make sure to have the complete model and serial number available from the unit rating plates.

Contents

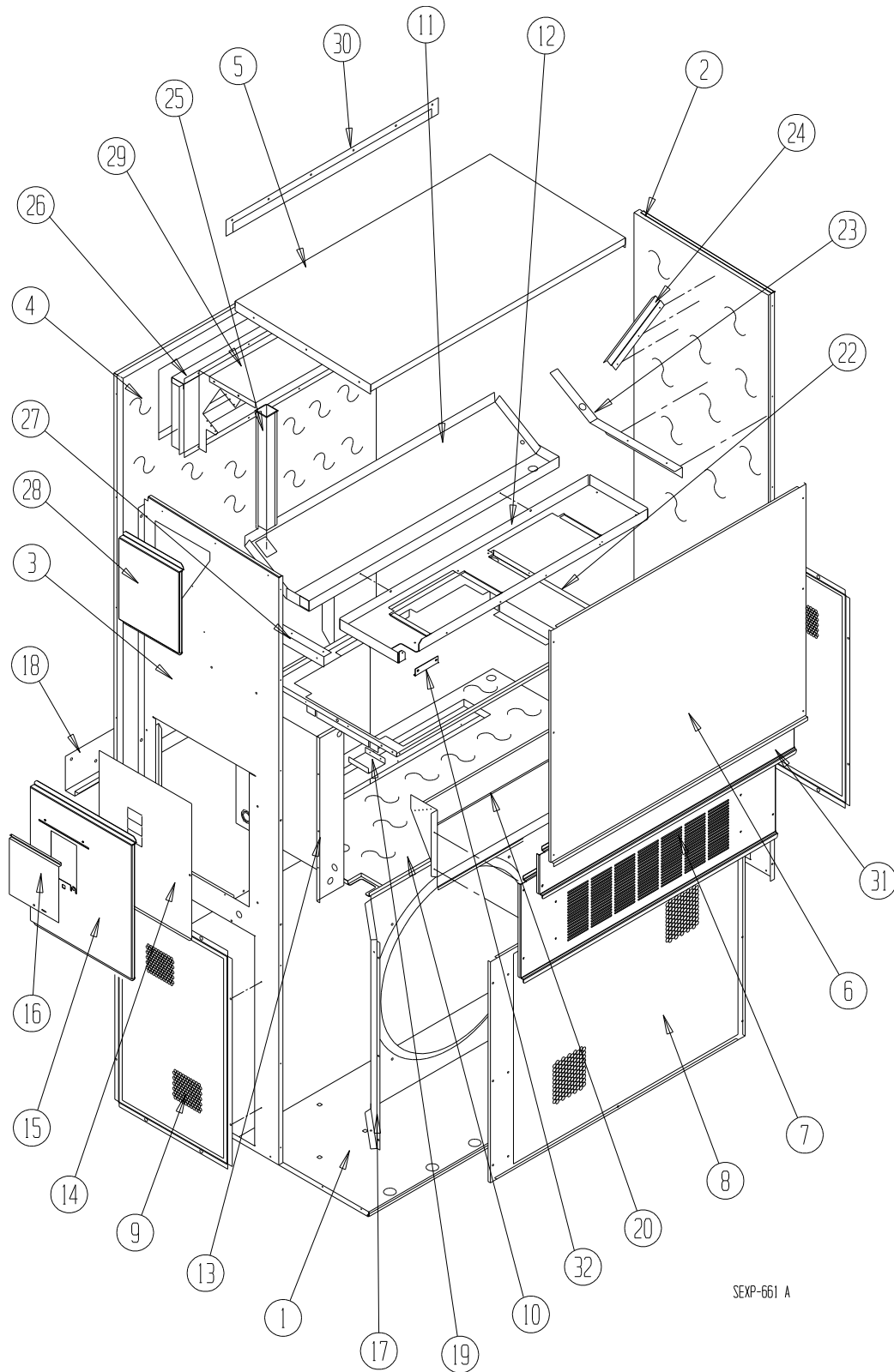
| <u>Description</u> | <u>Page</u> |
|-----------------------|-------------|
| Cabinet Components | |
| ♦ Exploded View | 2 |
| ♦ Usage List | 3 |
| ♦ Usage List | 4 |
| Functional Components | |
| ♦ Exploded View | 5 |
| ♦ Usage List | 6 |
| ♦ Usage List | 7 |
| Control Panel | |
| ♦ Exploded View | 8 |
| ♦ Usage List | 9 |
| ♦ Usage List | 10 |
| Blower Assembly | |
| ♦ Exploded View | 11 |
| ♦ Usage List | 11 |



Bard Manufacturing Company, Inc.
Bryan, Ohio 43506
www.bardhvac.com

Manual: 2110-1406G
Supersedes: 2110-1406F
Date: 5-11-18

CABINET COMPONENTS



CABINET COMPONENTS

| Dwg No. | Part Number | Description | W42L2-A, B | W42L2-C, F | W48L2-A, B | W48L2-C, F | W60L2-A, B | W60L2-C, F |
|---------|---------------------|--|------------|------------|------------|------------|------------|------------|
| 1 | 127-428 | Lower Base | X | X | X | X | X | X |
| 1 | 127-436 ③ | Lower Base | X | X | X | X | X | X |
| 2 | S501-687-* ① | Right Side | X | X | X | X | X | X |
| 2 | S501-713 ② | Right Side | X | X | X | X | X | X |
| 2 | S501-715 ③ | Right Side | X | X | X | X | X | X |
| 3 | S501-680-* ① | Left Side | X | X | X | X | X | X |
| 3 | S501-714 ② | Left Side | X | X | X | X | X | X |
| 3 | S501-716 ③ | Left Side | X | X | X | X | X | X |
| 4 | S508-098 | Back | X | X | X | X | X | X |
| 4 | S508-275 ② | Back | X | X | X | X | X | X |
| 4 | S508-221 ③ | Back | X | X | X | X | X | X |
| 5 | S507-307-* ① | Top | X | X | X | X | X | X |
| 5 | S507-309 ② | Top | X | X | X | X | X | X |
| 5 | S507-310 ③ | Top | X | X | X | X | X | X |
| 6 | S515-230-* ① | Upper Front | X | X | X | X | X | X |
| 6 | S514-231 ② | Upper Front | X | X | X | X | X | X |
| 6 | S514-232 ③ | Upper Front | X | X | X | X | X | X |
| 7 | S553-522-* ① | Vent Option Door | X | X | X | X | X | X |
| 7 | S553-525 ② | Vent Option Door | X | X | X | X | X | X |
| 7 | S553-527 ③ | Vent Option Door | X | X | X | X | X | X |
| 8 | 118-049-* ① | Condenser Grille | X | X | X | X | X | X |
| 8 | 118-065 ② | Condenser Grille | X | X | X | X | X | X |
| 8 | 118-074 ③ | Condenser Grille | X | X | X | X | X | X |
| 9 | 118-057-* ① | Side Grille | 2 | 2 | 2 | 2 | 2 | 2 |
| 9 | 118-063 ② | Side Grille | 2 | 2 | 2 | 2 | 2 | 2 |
| 9 | 118-073 ③ | Side Grille | 2 | 2 | 2 | 2 | 2 | 2 |
| 10 | S521Y462 | Condenser Partition | X | X | X | X | X | X |
| 11 | S123-121 | Drain Pan | X | X | X | X | X | X |
| 11 | S123-137 ②③ | Drain Pan | X | X | X | X | X | X |
| 12 | 121Y463 | Blower Partition | X | X | X | X | X | X |
| 13 | Control Panel Assy. | See Control Panel Assy. Drawing & Parts List | X | X | X | X | X | X |
| 14 | S133-114 | Control Panel Cover (Inner) | X | | X | | X | |
| 14 | S133-171 | Control Panel Cover (Inner) | | X | | X | | X |
| 15 | S533-227-* ① | Control Panel Cover (Outer) | X | X | X | X | X | X |
| 15 | S533-231 ② | Control Panel Cover (Outer) | X | X | X | X | X | X |
| 15 | S533-233 ③ | Control Panel Cover (Outer) | X | X | X | X | X | X |
| 16 | S153-218-* ① | Disconnect Access Door | X | X | X | X | X | X |
| 16 | S153-387 ② | Disconnect Access Door | X | X | X | X | X | X |
| 16 | S153-405 ③ | Disconnect Access Door | X | X | X | X | X | X |
| 17 | 125-024 | Fan Shroud | X | X | X | X | X | X |
| 17 | 125-058 ③ | Fan Shroud | X | X | X | X | X | X |
| 18 | 113-140 | Bottom Mounting Bracket | X | X | X | X | X | X |
| 19 | 137-209 | Fill | X | X | X | X | X | X |
| 20 | BFAD-5 | Fresh Air Damper Assembly | X | X | X | X | X | X |
| 22 | 131Y099 | Filter Tray | X | X | X | X | X | X |
| 23 | 105Y878 | Left Side Support | X | X | X | X | X | X |
| 24 | 147-046 | Left Evaporator Support | X | X | X | X | X | X |
| 25 | 135-128 | Raceway | 2 | 2 | 2 | 2 | 2 | 2 |
| 26 | S111Y034 | Outlet Air Frame Assembly | X | X | X | X | X | X |
| 27 | 105Y877 | Right Side Support | X | X | X | X | X | X |
| 28 | S543-172-* ① | Right Side Cover Plate (Outer) | X | X | X | X | X | X |
| 28 | S543-176 ② | Right Side Cover Plate (Outer) | X | X | X | X | X | X |
| 28 | S543-177 ③ | Right Side Cover Plate (Outer) | X | X | X | X | X | X |
| 29 | 135-129 | Heat Shield | X | X | X | X | X | X |
| 30 | 113-150-* ① | Top Rain Flashing | X | X | X | X | X | X |
| 30 | 113-359 ③ | Top Rain Flashing | X | X | X | X | X | X |
| 31 | S553-521-* ① | Filter Door Assembly | X | X | X | X | X | X |
| 31 | S553-526 ② | Filter Door Assembly | X | X | X | X | X | X |
| 31 | S553-528 ③ | Filter Door Assembly | X | X | X | X | X | X |
| 32 | 105-1302 | Grommet Retainer | X | X | X | X | X | X |
| NS | S536-498 | Cond. Partition Block Off Plate | X | X | X | X | X | X |

① Exterior cabinet parts are manufactured with various paint color options. To ensure the proper paint color is received, include the complete model and serial number of the unit for which cabinet parts are being ordered.

② Exterior cabinet parts are manufactured from aluminum Code "A"

③ Exterior cabinet parts are manufactured from stainless steel Code "S"

NS – Not Shown

CABINET COMPONENTS

| Dwg No. | Part Number | Description | W70L2-A, B | W70L2-C, F |
|---------|---------------------|--|------------|------------|
| 1 | 127-428 | Lower Base | X | X |
| 1 | 127-436 ③ | Lower Base | X | X |
| 2 | S501-687-* ① | Right Side | X | X |
| 2 | S501-713 ② | Right Side | X | X |
| 2 | S501-715 ③ | Right Side | X | X |
| 3 | S501-680-* ① | Left Side | X | X |
| 3 | S501-714 ② | Left Side | X | X |
| 3 | S501-716 ③ | Left Side | X | X |
| 4 | S508-098 | Back | X | X |
| 4 | S508-275 ② | Back | X | X |
| 4 | S508-221 ③ | Back | X | X |
| 5 | S507-307-* ① | Top | X | X |
| 5 | S507-309 ② | Top | X | X |
| 5 | S507-310 ③ | Top | X | X |
| 6 | S515-230-* ① | Upper Front | X | X |
| 6 | S514-231 ② | Upper Front | X | X |
| 6 | S514-232 ③ | Upper Front | X | X |
| 7 | S553-522-* ① | Vent Option Door | X | X |
| 7 | S553-525 ② | Vent Option Door | X | X |
| 7 | S553-527 ③ | Vent Option Door | X | X |
| 8 | 118-049-* ① | Condenser Grille | X | X |
| 8 | 118-065 ② | Condenser Grille | X | X |
| 8 | 118-074 ③ | Condenser Grille | X | X |
| 9 | 118-057-* ① | Side Grille | 2 | 2 |
| 9 | 118-063 ② | Side Grille | 2 | 2 |
| 9 | 118-073 ③ | Side Grille | 2 | 2 |
| 10 | S521Y462 | Condenser Partition | X | X |
| 11 | S123-121 | Drain Pan | X | X |
| 11 | S123-137 ②③ | Drain Pan | X | X |
| 12 | 121Y463 | Blower Partition | X | X |
| 13 | Control Panel Assy. | See Control Panel Assy. Drawing & Parts List | X | X |
| 14 | S133-114 | Control Panel Cover (Inner) | X | |
| 14 | S133-171 | Control Panel Cover (Inner) | | X |
| 15 | S533-227-* ① | Control Panel Cover (Outer) | X | X |
| 15 | S533-231 ② | Control Panel Cover (Outer) | X | X |
| 15 | S533-233 ③ | Control Panel Cover (Outer) | X | X |
| 16 | S153-218-* ① | Disconnect Access Door | X | X |
| 16 | S153-387 ② | Disconnect Access Door | X | X |
| 16 | S153-405 ③ | Disconnect Access Door | X | X |
| 17 | 125-085 | Fan Shroud | X | X |
| 17 | 125-058 ③ | Fan Shroud | X | X |
| 18 | 113-140 | Bottom Mounting Bracket | X | X |
| 19 | 137-209 | Fill | X | X |
| 20 | BFAD-5 | Fresh Air Damper Assembly | X | X |
| 22 | 131Y099 | Filter Tray | X | X |
| 23 | 105Y878 | Left Side Support | X | X |
| 24 | 147-046 | Left Evaporator Support | X | X |
| 25 | 135-128 | Raceway | 2 | 2 |
| 26 | S111Y034 | Outlet Air Frame Assembly | X | X |
| 27 | 105Y877 | Right Side Support | X | X |
| 28 | S543-172-* ① | Right Side Cover Plate (Outer) | X | X |
| 28 | S543-176 ② | Right Side Cover Plate (Outer) | X | X |
| 28 | S543-177 ③ | Right Side Cover Plate (Outer) | X | X |
| 29 | 135-129 | Heat Shield | X | X |
| 30 | 113-150-* ① | Top Rain Flashing | X | X |
| 30 | 113-359 ③ | Top Rain Flashing | X | X |
| 31 | S553-521-* ① | Filter Door Assembly | X | X |
| 31 | S553-526 ② | Filter Door Assembly | X | X |
| 31 | S553-528 ③ | Filter Door Assembly | X | X |
| 32 | 105-1302 | Grommet Retainer | X | X |
| NS | S536-498 | Cond. Partition Block Off Plate | X | X |

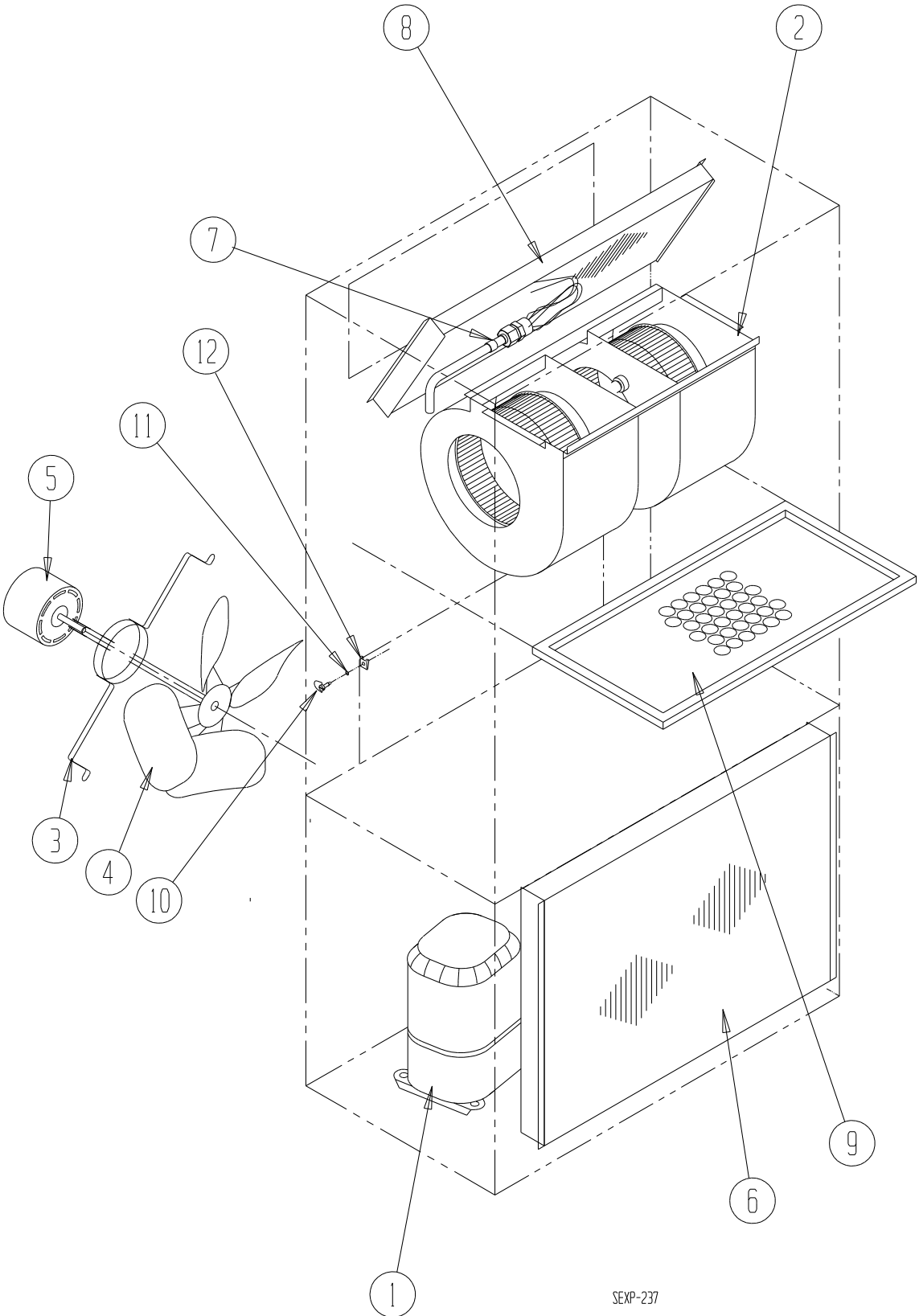
① Exterior cabinet parts are manufactured with various paint color options. To ensure the proper paint color is received, include the complete model and serial number of the unit for which cabinet parts are being ordered.

② Exterior cabinet parts are manufactured from aluminum Code "A"

③ Exterior cabinet parts are manufactured from stainless steel Code "S"

NS – Not Shown

FUNCTIONAL COMPONENTS



SEXP-237

FUNCTIONAL COMPONENTS

| Dwg No. | Part Number | Description | W42L2-A | W42L2-B | W42L2-C | W42L2-F | W48L2-A | W48L2-B | W48L2-C | W48L2-F | W60L2-A | W60L2-B | W60L2-C | W60L2-F |
|---------|-------------|------------------------------|---------|---------|---------|---------|---------|---------|---------|---------|---------|---------|---------|---------|
| 1 | 8000-318 | Compressor | X | | | | | | | | | | | |
| 1 | 8000-319 | Compressor | | X | | | | | | | | | | |
| 1 | 8000-320 | Compressor | | | X | X | | | | | | | | |
| 1 | 8000-400 | Compressor | | | | | X | | | | | | | |
| 1 | 8000-401 | Compressor | | | | | | X | | | | | | |
| 1 | 8000-402 | Compressor | | | | | | | X | X | | | | |
| 1 | 8000-324 | Compressor | | | | | | | | | X | | | |
| 1 | 8000-325 | Compressor | | | | | | | | | | X | | |
| 1 | 8000-326 | Compressor | | | | | | | | | | | X | X |
| 2 | S900-320 | Blower Assembly | X | X | | X | X | X | | X | | | | |
| 2 | S900-321 | Blower Assembly | | | X | | | | X | | | | | |
| 2 | S900-185 | Blower Assembly | | | | | | | | | X | X | | X |
| 2 | S900-186 | Blower Assembly | | | | | | | | | | | X | |
| 3 | 8200-004 | Fan Motor Mount | X | X | X | X | X | X | X | X | X | X | X | X |
| 4 | 5151-060 | Fan Blade | X | X | X | X | X | X | X | X | X | X | X | X |
| 5 | 8105-030 | Condenser Motor | | | X | | | | X | | | | X | |
| 5 | 8105-039 | Condenser Motor | X | X | | X | X | X | X | X | X | X | | X |
| 6 | 5051-179BX | Condenser Coil | X | X | X | X | X | X | X | X | | | | |
| 6 | 5051-180BX | Condenser Coil | | | | | | | | | X | X | X | X |
| 7 | 800-0420 | Distributor Assembly | X | X | X | X | | | | | | | | |
| 7 | 800-0422 | Distributor Assembly | | | | | X | X | X | X | | | | |
| 7 | 800-0423 | Distributor Assembly | | | | | | | | | X | X | X | X |
| 8 | 917-0207BX | Evaporator Coil | | | | | X | X | X | X | | | | |
| 8 | 917-0208BX | Evaporator Coil | | | | | | | | | X | X | X | X |
| 8 | 917-0206BX | Evaporator Coil | X | X | X | X | | | | | | | | |
| 9 | 7004-016 | Air Filter 1" Throw-Away | X | X | X | X | X | X | X | X | X | X | X | X |
| 9 | 7003-030 | Air Filter 1" Washable | X | X | X | X | X | X | X | X | X | X | X | X |
| 9 | 7004-027 | Air Filter 2" Pleated | X | X | X | X | X | X | X | X | X | X | X | X |
| 10 | 1171-022 | 1/4 Turn Fastener | X | X | X | X | X | X | X | X | X | X | X | X |
| 11 | 1171-024 | 1/4 Turn Retainer | X | X | X | X | X | X | X | X | X | X | X | X |
| 12 | 1171-023 | 1/4 Receptacle | X | X | X | X | X | X | X | X | X | X | X | X |
| NS | 5201-022 | Filter Drier | X | X | X | X | X | X | X | X | X | X | X | X |
| NS | CMA-28 | Low Ambient Control ① | X | X | X | X | X | X | X | X | X | X | X | X |
| NS | 1804-0385 | High Pressure Switch (Flare) | X | X | X | X | X | X | X | X | X | X | X | X |
| NS | 1804-0386 | Low Pressure Switch (Flare) | X | X | X | X | X | X | X | X | X | X | X | X |
| NS | 5451-024 | Tubing Isolation Grommet | 2 | 2 | 2 | 2 | 2 | 2 | 2 | 2 | 2 | 2 | 2 | 2 |

① Optional on these models.

NS – Not Shown

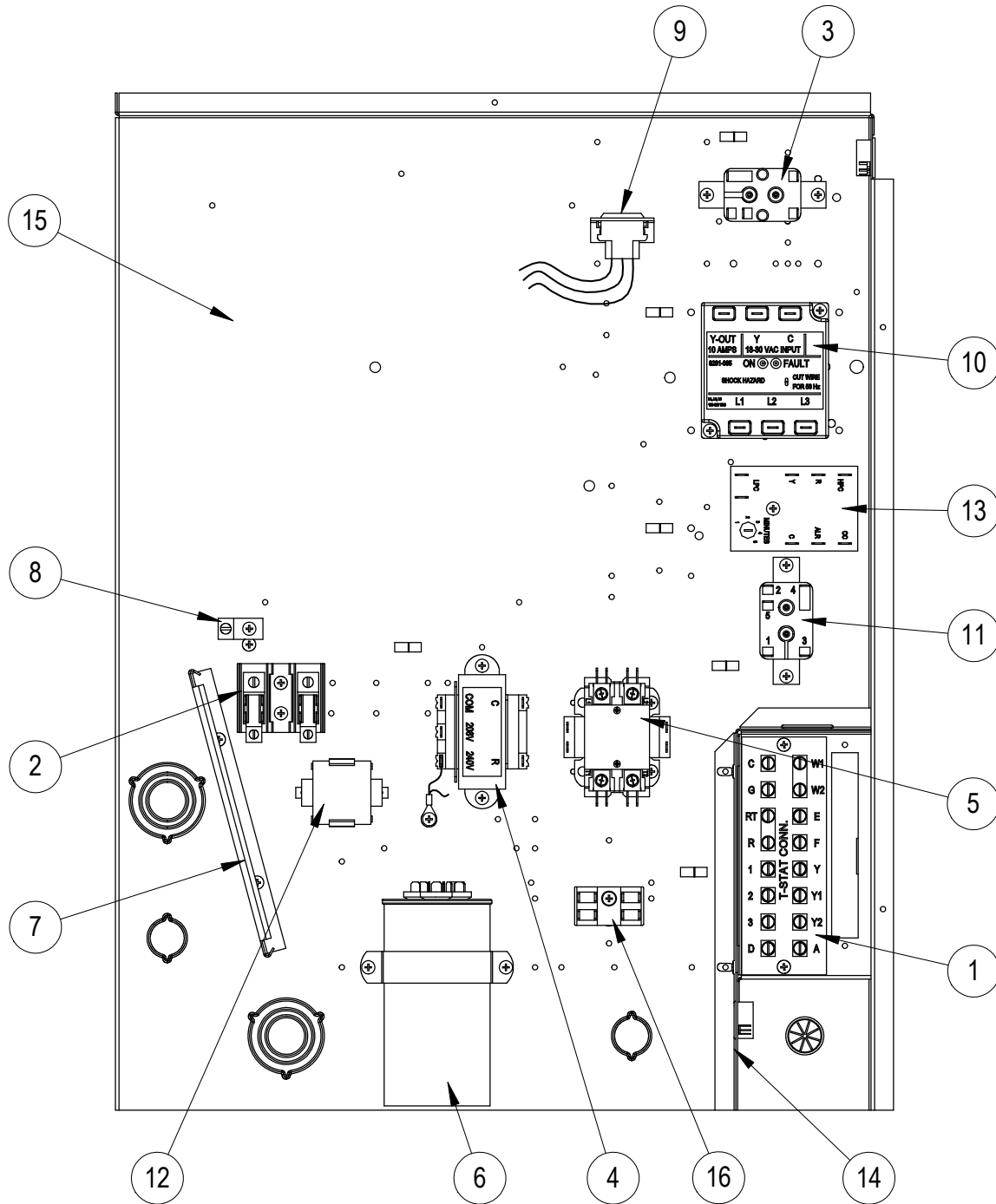
FUNCTIONAL COMPONENTS

| Dwg No. | Part Number | Description | W70L2-A | W70L2-B | W70L2-C | W70L2-F |
|---------|-------------|-------------------------------|---------|---------|---------|---------|
| 1 | 8000-403 | Compressor | X | | | |
| 1 | 8000-404 | Compressor | | X | | |
| 1 | 8000-405 | Compressor | | | X | X |
| 2 | S900-185 | Blower Assembly | X | X | | X |
| 2 | S900-186 | Blower Assembly | | | X | |
| 3 | 8200-049 | Fan Motor Mount | X | X | X | X |
| 4 | 5151-062 | Fan Blade | X | X | X | X |
| 5 | 8106-067 | Condenser Motor | | | X | |
| 5 | 8106-016 | Condenser Motor | X | X | | X |
| 6 | 5051-180BX | Condenser Coil | X | X | X | X |
| 7 | 800-0425 | Distributor Assembly | X | X | X | X |
| 8 | 917-0209BX | Evaporator Coil | X | X | X | X |
| 9 | 7004-016 | Air Filter 1" Throw-Away | X | X | X | X |
| 9 | 7003-030 | Air Filter 1" Washable | X | X | X | X |
| 9 | 7004-027 | Air Filter 2" Pleated | X | X | X | X |
| 10 | 1171-022 | 1/4 Turn Fastener | X | X | X | X |
| 11 | 1171-024 | 1/4 Turn Retainer | X | X | X | X |
| 12 | 1171-023 | 1/4 Receptacle | X | X | X | X |
| NS | 5201-022 | Filter Drier | X | X | X | X |
| NS | CMA-28 | Low Ambient Control (Flare) ① | X | X | X | X |
| NS | 1804-0385 | High Pressure Switch (Flare) | X | X | X | X |
| NS | 1804-0386 | Low Pressure Switch (Flare) | X | X | X | X |
| NS | 5451-024 | Tubing Isolation Grommet | 2 | 2 | 2 | 2 |
| NS | CMC-29 | Freeze Thermostat Kit | X | X | X | X |

① Optional on these models.

NS – Not Shown

CONTROL PANEL



SEXP-662

CONTROL PANEL

| Dwg No. | Part Number | Description | W42L2-A | W42L2-B | W42L2-C | W42L2-F | W48L2-A | W48L2-B | W48L2-C | W48L2-F | W60L2-A | W60L2-B | W60L2-C | W60L2-F |
|---------|-------------|------------------------------|---------|---------|---------|---------|---------|---------|---------|---------|---------|---------|---------|---------|
| 1 | 8607-034 | Low Voltage Terminal Strip | X | X | X | X | X | X | X | X | X | X | X | X |
| 2 | 8607-013 | Terminal Block 2 Pole | X | | | 2 | X | | | 2 | X | | | 2 |
| 2 | 8607-014 | Terminal Block 3 Pole | | X | X | | | X | X | | | X | X | |
| 2 | 8607-015 | Phenolic Insulator | | | X | | | | X | | | | X | |
| 2 | 134-051 | Terminal Block Barrier | | | | 2 | | | | 2 | | | | 2 |
| 3 | 8201-009 | Blower Control Relay | X | X | | X | X | X | | X | X | X | | X |
| 3 | 8201-032 | Blower Control Relay | | | X | | | | X | | | | X | |
| 4 | 8407-068 | Transformer | X | X | | X | X | X | | X | X | X | | X |
| 4 | 8407-069 | Transformer | | | X | | | | X | | | | X | |
| 5 | 8401-002 | Compressor Contactor | X | X | X | X | | X | X | X | | X | X | X |
| 5 | 8401-025 | Compressor Contactor | X | | | | X | | | | X | | | |
| 6 | 8552-079 | Compressor Capacitor | X | | | | | | | | | | | |
| 6 | 8552-005 | Outdoor Motor Capacitor | | X | | X | | X | | X | | | | |
| 6 | 8552-026 | Outdoor Motor Capacitor | | | X | | | | X | | | | X | |
| 6 | 8552-059 | Compressor Capacitor | | | | | X | | | | | | | |
| 6 | 8552-089 | Compressor Capacitor | | | | | | | | | X | | | |
| 6 | 8552-004 | Compressor Capacitor | | | | | | | | | | X | | X |
| 7 | 135-130 | Wire Shield | X | X | X | X | X | X | X | X | X | X | X | X |
| 8 | 8611-006 | Ground Terminal | X | X | X | X | X | X | X | X | X | X | X | X |
| 9 | 3000-978 | 6 Pin Connector | X | X | X | X | X | X | X | X | X | X | X | X |
| 10 | 8201-126 | Phase Monitor | | X | X | X | | X | X | X | | X | X | X |
| 11 | 8201-062 | Alarm Relay | X | X | X | X | X | X | X | X | X | X | X | X |
| 12 | 8551-004 | Start Device (PTCR) ① | X | | | | X | | | | X | | | |
| 13 | 8201-164 | Compressor Control Module | X | X | X | X | X | X | X | X | X | X | X | X |
| 14 | 117Y333 | Low Voltage Box | X | X | X | X | X | X | X | X | X | X | X | X |
| 15 | 117Y340 | Control Panel | X | X | X | X | X | X | X | X | X | X | X | X |
| 16 | 8607-017 | Terminal Block ① | X | X | X | X | X | X | X | X | X | X | X | X |
| NS | 8615-040 | Circuit Breaker 50A 2 Pole ② | X | | | | X | | | | | | | |
| NS | 8615-042 | Circuit Breaker 35A 3 Pole ② | | X | | | | X | | | | | | |
| NS | 8615-067 | Toggle Disconnect ② | | | X | X | | | X | X | | | X | X |
| NS | 8615-044 | Circuit Breaker 45A 3 Pole ② | | | | | | | | | | X | | |
| NS | 8615-041 | Circuit Breaker 60A 2 Pole ② | | | | | | | | | X | | | |
| NS | 4095-163 | Wiring Diagram | X | | | | X | | | | X | | | |
| NS | 4095-255 | Wiring Diagram | | X | | | | X | | | | X | | |
| NS | 4095-357 | Wiring Diagram | | | X | | | | X | | | | X | |
| NS | 4095-635 | Wiring Diagram | | | | X | | | | X | | | | X |

① Optional on these models.

② Circuit breakers listed are for units without electric heat "OZ" models. See heater replacement parts manual for units with electric heat.

NS – Not Shown

CONTROL PANEL

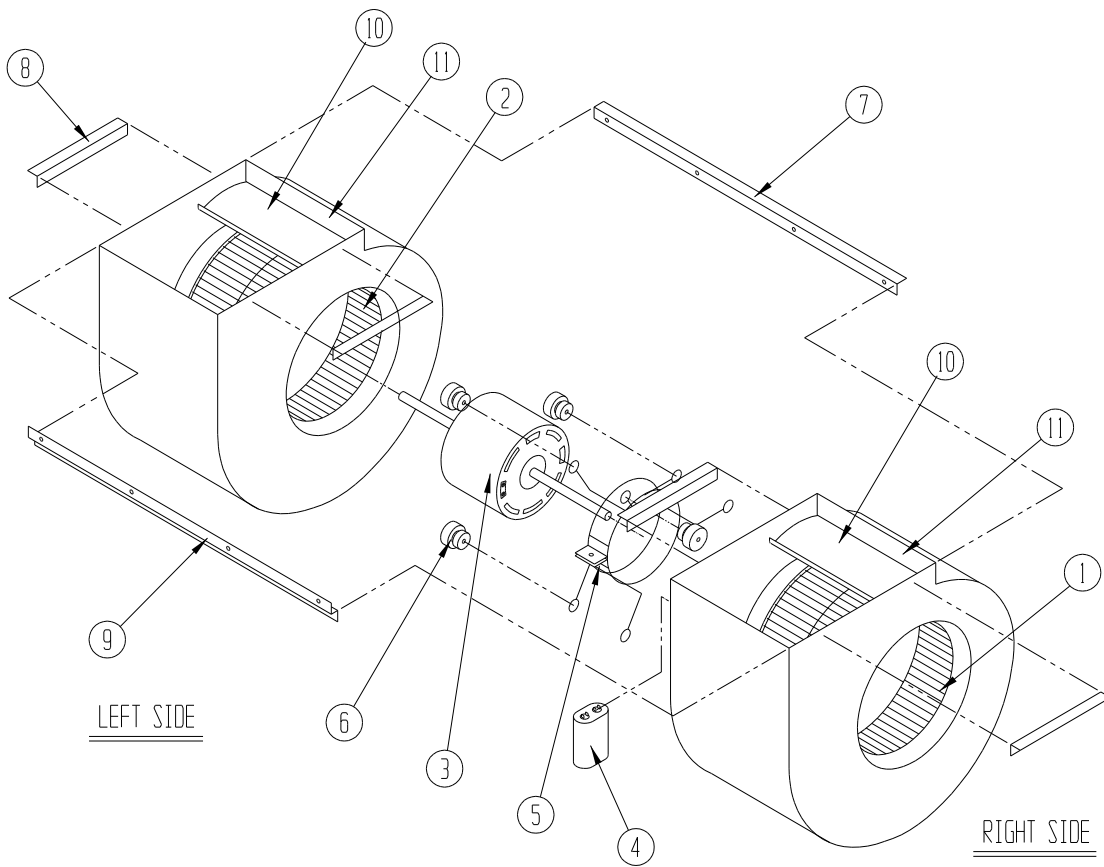
| Dwg No. | Part Number | Description | W70L2-A | W70L2-B | W70L2-C | W70L2-F |
|---------|-------------|------------------------------|---------|---------|---------|---------|
| 1 | 8607-034 | Low Voltage Terminal Strip | X | X | X | X |
| 2 | 8607-013 | Terminal Block 2 Pole | X | | | 2 |
| 2 | 8607-014 | Terminal Block 3 Pole | | X | X | |
| 2 | 8607-015 | Phenolic Insulator | | | X | |
| 3 | 8201-009 | Blower Control Relay | X | X | | X |
| 3 | 8201-032 | Blower Control Relay | | | X | |
| 4 | 8407-068 | Transformer | X | X | | X |
| 4 | 8407-069 | Transformer | | | X | |
| 5 | 8401-002 | Compressor Contactor | | X | X | X |
| 5 | 8401-025 | Compressor Contactor | X | | | |
| 6 | 8552-005 | Outdoor Motor Capacitor | | | X | X |
| 6 | 8552-082 | Compressor Capacitor | X | | | |
| 6 | 8552-004 | Compressor Capacitor | | X | | |
| 7 | 135-130 | Wire Shield | X | X | X | X |
| 8 | 8611-006 | Ground Terminal | X | X | X | X |
| 9 | 3000-1017 | 6 Pin Connector | X | X | X | X |
| 10 | 8201-126 | Phase Monitor | | X | X | X |
| 11 | 8201-062 | Alarm Relay ① | X | X | X | X |
| 12 | 8551-004 | Start Device (PTCR) ① | X | | | |
| 13 | 8201-164 | Compressor Control Module | X | X | X | X |
| 14 | 117Y333 | Low Voltage Box | X | X | X | X |
| 15 | 117Y340 | Control Panel | X | X | X | X |
| 16 | 8607-017 | Terminal Block ① | X | X | X | X |
| NS | 8615-067 | Toggle Disconnect ② | | | X | X |
| NS | 8615-045 | Circuit Breaker 50A 3 Pole ② | | X | | |
| NS | 8615-041 | Circuit Breaker 60A 2 Pole ② | X | | | |
| NS | 4095-165 | Wiring Diagram | X | | | |
| NS | 4095-257 | Wiring Diagram | | X | | |
| NS | 4095-358 | Wiring Diagram | | | X | |
| NS | 4095-259 | Wiring Diagram | | | | X |

① Optional on these models.

② Circuit breakers listed are for units without electric heat "OZ" models. See heater replacement parts manual for units with electric heat.

NS – Not Shown

BLOWER ASSEMBLY



SEXP-178

| Dwg No. | Part Number | Description | 900-320 | 900-321 | 900-185 | 900-186 |
|---------|-------------|------------------------|---------|---------|---------|---------|
| 1 | 5152-011 | 10 Inch Wheel (CW) | | | X | X |
| 1 | 5152-057 | 9 Inch Wheel (CW) | X | X | | |
| 2 | 5152-012 | 10 Inch Wheel (CW) | | | X | X |
| 2 | 5152-058 | 9 Inch Wheel (CW) | X | X | | |
| 3 | 8105-061 | Blower Motor (230/208) | X | | | |
| 3 | 8105-062 | Blower Motor (460) | | X | | |
| 3 | 8106-046 | Blower Motor (230/208) | | | X | |
| 3 | 8106-025 | Blower Motor (460) | | | | X |
| 4 | 8552-091 | Capacitor | X | X | | |
| 4 | 8552-005 | Capacitor | | | X | X |
| 5 | 8200-040 | Motor Mount | X | X | X | X |
| 6 | 5451-011 | Grommets | 6 | 6 | 6 | 6 |
| 7 | 105-881 | Back Brace | X | X | X | X |
| 8 | 105-880 | Side Angle | 4 | 4 | 4 | 4 |
| 9 | 103-389 | Front Brace | X | X | X | X |
| 10 | 151-101 | Housing | 2 | 2 | 2 | 2 |
| 11 | 144-166 | Diffuser | 2 | 2 | 2 | 2 |