
REPLACEMENT PARTS MANUAL

WALL MOUNTED PACKAGE AIR CONDITIONER

Models: W30A2, W36A2

General Notes

- Revised and/or additional pages may be issued from time to time.
- A complete and current manual consists of pages shown in the following contents section.

Important

- Contact the installing and/or local Bard distributor for all parts requirements. Make sure you have the complete model and serial number available from the unit rating plates.

Contents

Description	Page
Cabinet Components	
♦ Exploded View	2
♦ Usage List	3
Functional Components	
♦ Exploded View	4
♦ Usage List	5
Control Panel	
♦ Exploded View	6
♦ Usage List	7
Blower Assembly	
♦ Exploded View	8
♦ Usage List	8

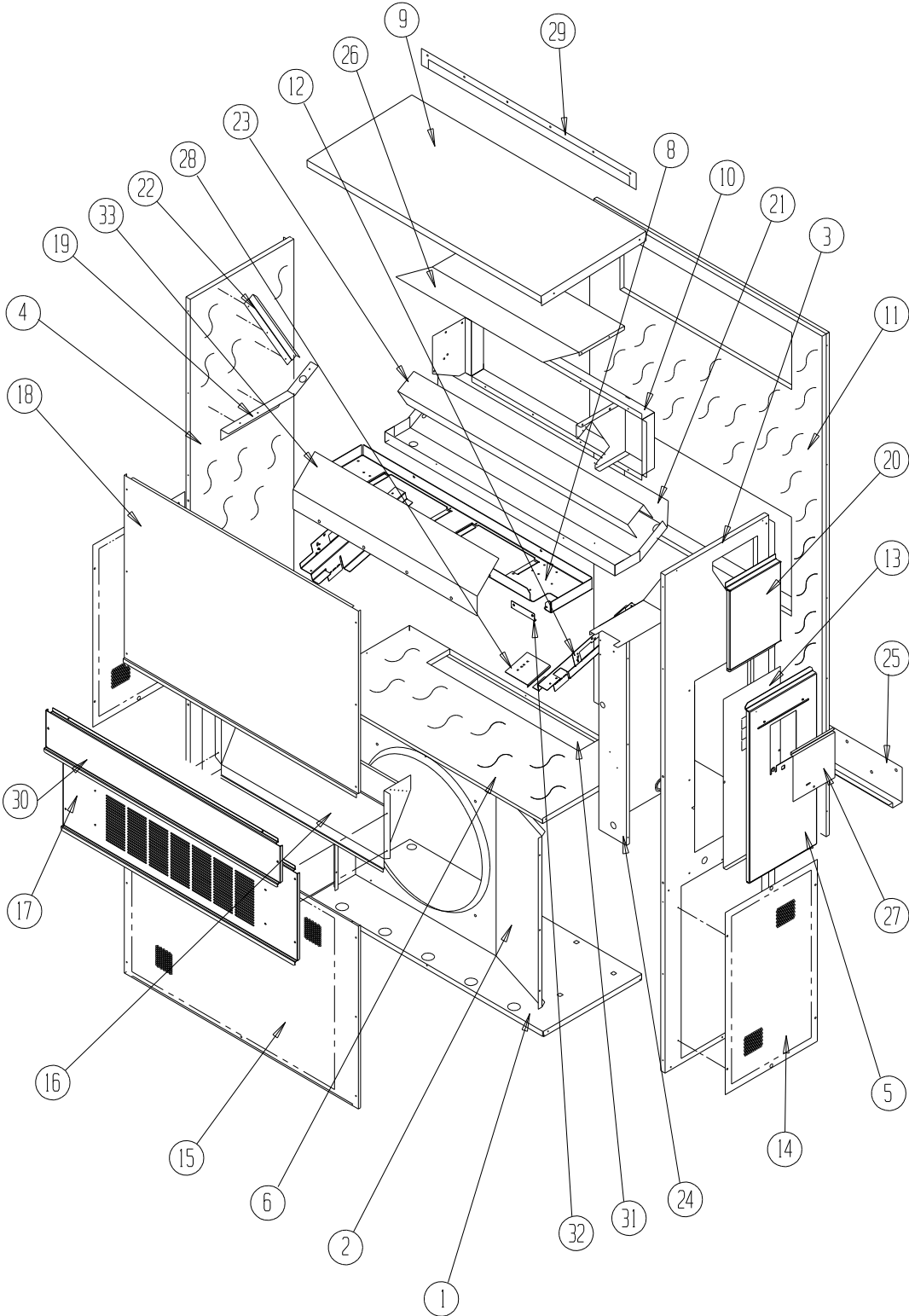


CLIMATE CONTROL SOLUTIONS

Bard Manufacturing Company, Inc.
Bryan, Ohio 43506
Since 1914...Moving ahead, just as planned.

Manual: 2110-1409
Supersedes: **NEW**
File: Tab 16
Date: 04-22-13

CABINET COMPONENTS



SEXP-688

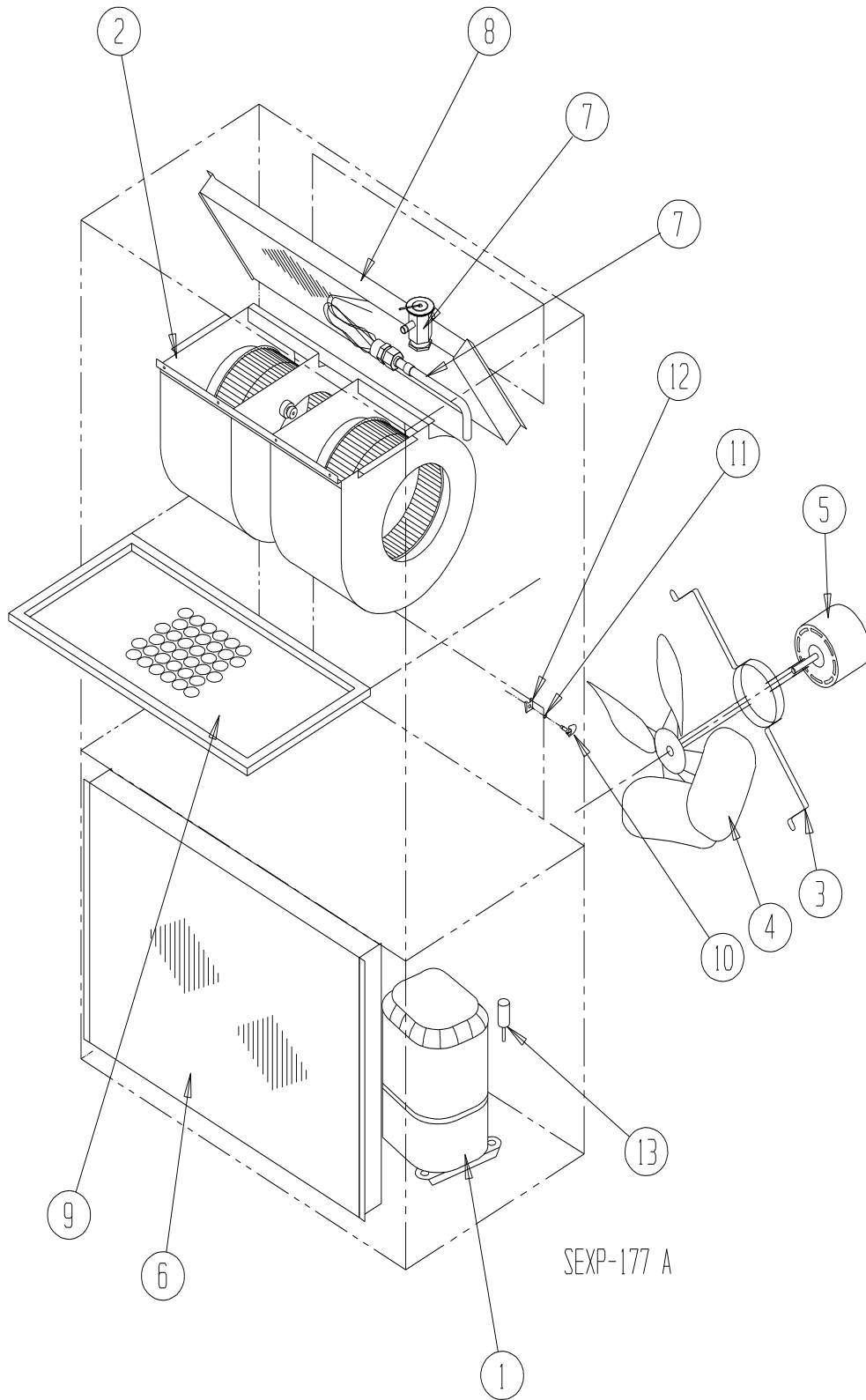
CABINET COMPONENTS

Dwg No.	Part Number	Description	W30A2-A, B, D	W30A2-C	W30A2-F	W36A2-A, B, D, E	W36A2-C	W36A2-F
1	S127-429	Lower Base	X	X	X	X	X	X
1	S127-440	Lower Base	X	X	X	X	X	X
2	125-022	Fan Shroud	X	X	X	X	X	X
2	125-057	Fan Shroud	X	X	X	X	X	X
3	S501-684*	Right Side	X	X	X	X	X	X
3	S501-720	Right Side	X	X	X	X	X	X
4	S501-711*	Left Side	X	X	X	X	X	X
4	S501-721	Left Side	X	X	X	X	X	X
5	S533-228	Control Panel Cover (Outer)	X	X	X	X	X	X
5	S533-235	Control Panel Cover (Outer)	X	X	X	X	X	X
6	S521X466	Condenser Partition	X	X	X	X	X	X
8	121X467	Blower Partition	X	X	X	X	X	X
9	S507-308*	Top	X	X	X	X	X	X
9	S507-319	Top	X	X	X	X	X	X
10	S111X030	Outlet Air Frame Assembly	X	X	X	X	X	X
11	S508-088	Back	X	X	X	X	X	X
11	S508-222	Back	X	X	X	X	X	X
12	113X480	Filter Bracket	2	2	2	2	2	2
13	S132-104	Control Panel Cover (Inner)	X			X		
13	S132-172	Control Panel Cover (Inner)		X			X	
14	118-056*	Side Grille	2	2	2	2	2	2
14	118-067	Side Grille	2	2	2	2	2	2
15	118-059*	Condenser Grille	X	X	X	X	X	X
15	118-066	Condenser Grille	X	X	X	X	X	X
16	BFAD-3	Fresh Air Damper Assembly	X	X	X	X	X	X
17	S553-523*	Vent Option Door	X	X	X	X	X	X
17	S553-540	Vent Option Door with ERV	X	X	X	X	X	X
17	S553-549	Vent Option Door	X	X	X	X	X	X
18	S514-241*	Upper Front	X	X	X	X	X	X
18	S514-238	Upper Front	X	X	X	X	X	X
19	105X850	Side Support	X	X	X	X	X	X
20	S543-175*	Right Side Cover Plate (Outer)	X	X	X	X	X	X
20	S543-185	Right Side Cover Plate (Outer)	X	X	X	X	X	X
21	S123-127	Drain Pan	X	X	X	X	X	X
21	S123-141	Drain Pan	X	X	X	X	X	X
22	147-044	Evaporator Support	X	X	X	X	X	X
23	137-685	Bottom Evaporator Fill	X	X	X	X	X	X
24	Control Panel Assembly	See Control Panel Assy. Drawing & Parts List Assy.	X	X	X	X	X	X
25	113-140	Bottom Mounting Bracket	X	X	X	X	X	X
26	135X123	Heat Shield	X	X	X	X	X	X
27	S153-218	Disconnect Access Door	X	X	X	X	X	X
27	S153-405	Disconnect Access Door	X	X	X	X	X	X
28	137-259	Fill Plate	X	X	X	X	X	X
29	113-149*	Top Rain Flashing	X	X	X	X	X	X
29	113-360	Top Rain Flashing	X	X	X	X	X	X
30	S553-524*	Filter Door	X	X	X	X	X	X
30	S553-553	Filter Door	X	X	X	X	X	X
31	S536-498	Cond. Partition Block Off Plate	X	X	X	X	X	X
32	105-1302	Grommet Retainer	X	X	X	X	X	X
33	135-329	Air Baffle	X	X	X	X	X	X

① Exterior cabinet parts are manufactured with various paint color options. To ensure that you receive the proper paint color, you must include the complete model and serial number of the unit for which cabinet parts are being ordered.

② Note: Exterior cabinet parts are manufactured from stainless steel Code "S"

FUNCTIONAL COMPONENTS



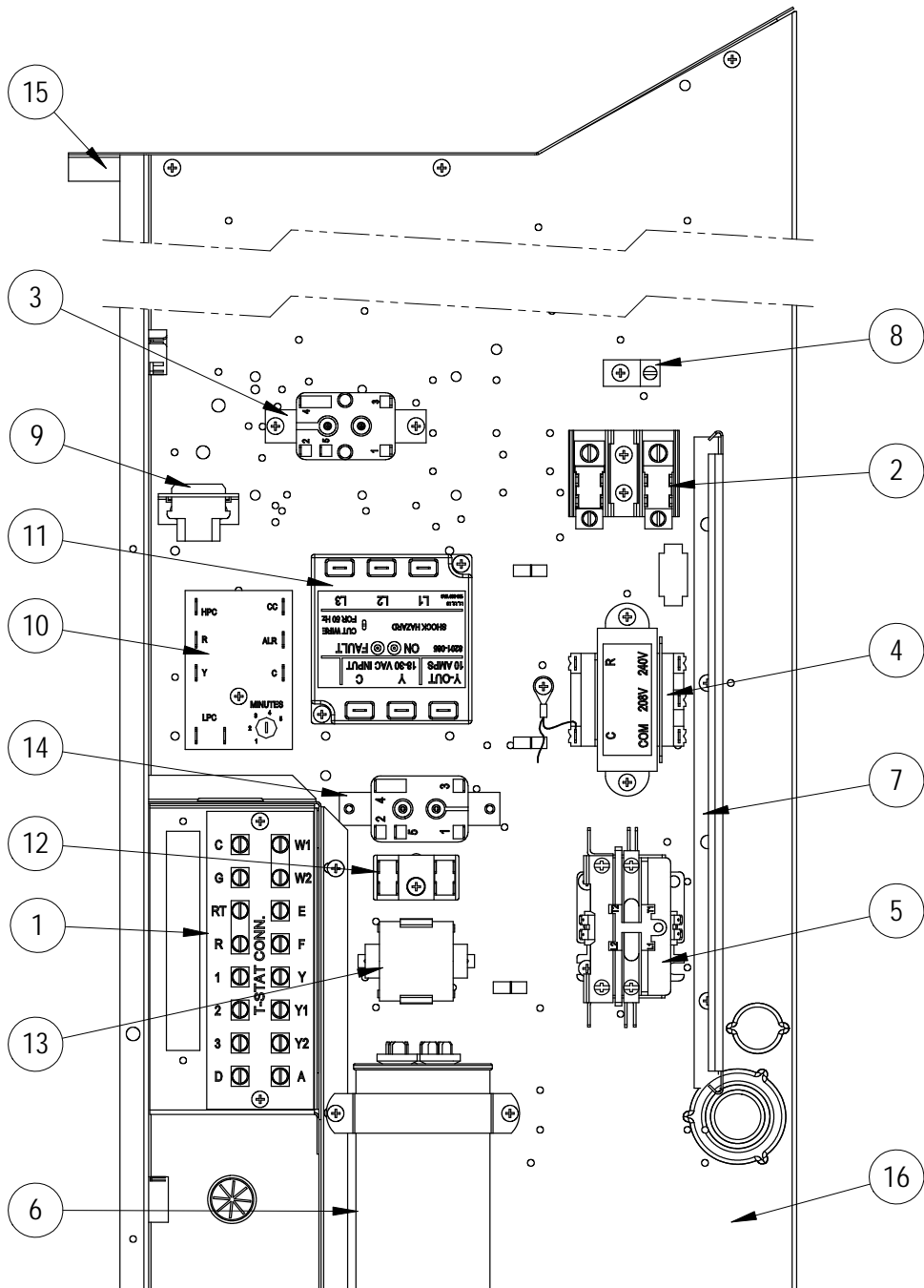
FUNCTIONAL COMPONENTS

Dwg No.	Part Number	Description	W30A2-A	W30A2-B	W30A2-C	W30A2-D	W30A2-F	W36A2-A	W36A2-B	W36A2-C	W36A2-D	W36A2-E	W36A2-F
1	8000-298	Compressor	X										
1	8000-299	Compressor		X									
1	8000-300	Compressor			X		X						
1	8000-301	Compressor				X							
1	8000-309	Compressor					X						
1	8000-310	Compressor						X					
1	8000-311	Compressor							X			X	
1	8000-312	Compressor								X			X
2	S900-231	Blower Assembly	X	X		X	X	X	X		X	X	X
2	S900-232	Blower Assembly			X					X			
3	8200-001	Fan Motor Mount	X	X	X	X	X	X	X	X	X	X	X
4	5151-045	Fan Blade	X	X	X	X	X	X	X	X	X	X	X
5	8103-013	Condenser Motor	X	X		X	X	X			X	X	X
5	8103-020	Condenser Motor			X					X			
6	5051-181BX	Condenser Coil	X	X	X	X	X						
6	5051-182BX	Condenser Coil						X	X	X	X	X	X
7	S800-0430	Distributor Assembly						X	X	X	X	X	X
7	S800-0429	Distributor Assembly	X	X	X	X	X						
8	917-0224BX	Evaporator Coil w/Distributor Assy.	X	X	X	X	X						
8	917-0225BX	Evaporator Coil w/Distributor Assy.						X	X	X	X	X	X
9	7004-019	Air Filter 1" Throw-Away	X	X	X	X	X	X	X	X	X	X	X
9	7003-031	Air Filter 1" Washable ①	X	X	X	X	X	X	X	X	X	X	X
9	7004-026	Air Filter 2" Pleated ①	X	X	X	X	X	X	X	X	X	X	X
10	1171-022	1/4" Turn Fastener	X	X	X	X	X	X	X	X	X	X	X
11	1171-024	1/4" Turn Retainer	X	X	X	X	X	X	X	X	X	X	X
12	1171-023	1/4" Receptacle	X	X	X	X	X	X	X	X	X	X	X
13	1804-0385	High Pressure Switch (Flare)	X	X	X	X	X	X	X	X	X	X	X
13	1804-0386	Low Pressure Switch (Flare)	X	X	X	X	X	X	X	X	X	X	X
NS	CMA-28	Low Ambient Control (Flare) ①	X	X	X	X	X	X	X	X	X	X	X
NS	5201-021	Filter Drier	X	X	X	X	X	X	X	X	X	X	X

NS – Not Shown

① – Optional on these models

CONTROL PANEL



SEXP-689

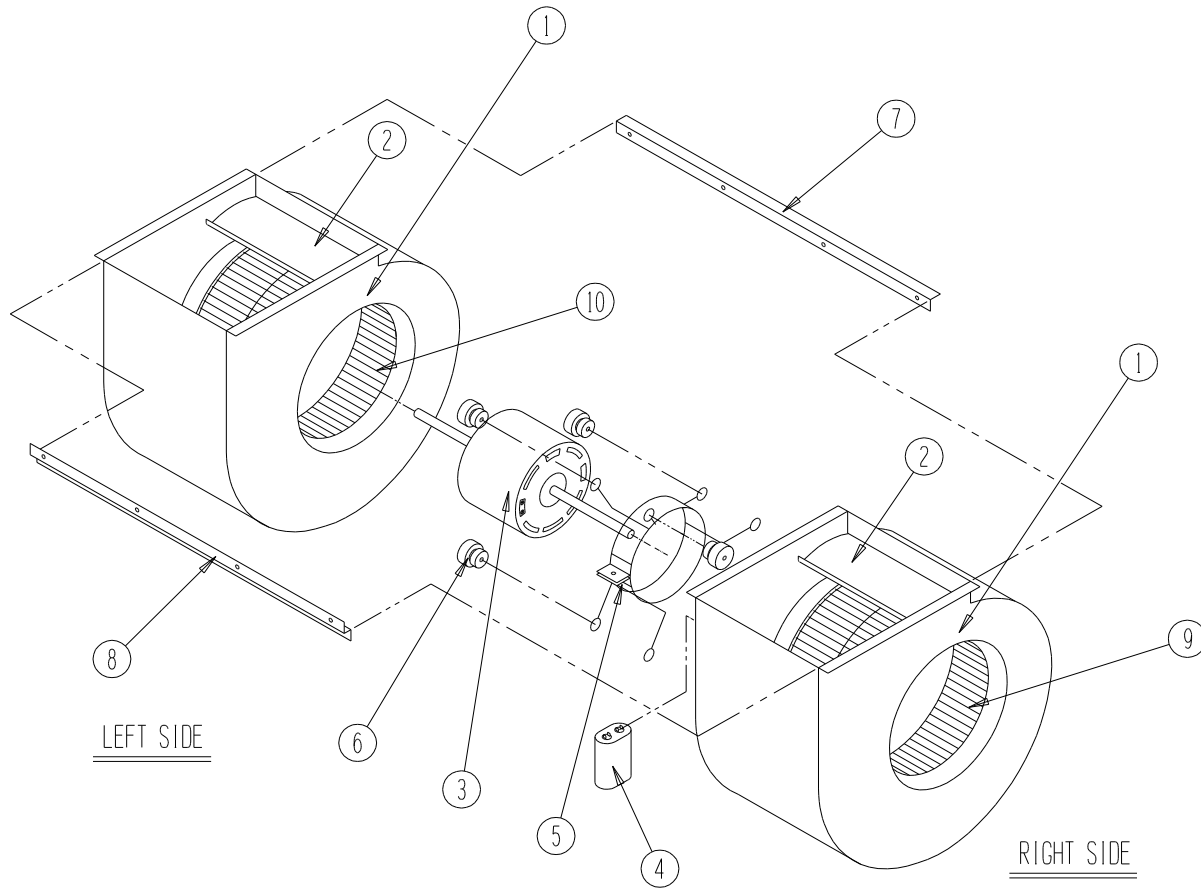
CONTROL PANEL

Dwg No.	Part Number	Description	W30A2-A	W30A2-B	W30A2-C	W30A2-D	W30A2-F	W36A2-A	W36A2-B	W36A2-C	W36A2-D	W36A2-E	W36A2-F
1	8607-034	Low Voltage Terminal Strip	X	X	X	X	X	X	X	X	X	X	X
2	8607-013	Terminal Block 2 Pole	X			X	2	X			X		2
2	8607-014	Terminal Block 3 Pole		X	X				X	X		X	
2	8607-015	Phenolic Insulator			X		2			X			2
2	134-051	Phenolic Insulator					2						2
3	8201-009	Blower Control Relay	X	X		X	X	X	X		X	X	X
3	8201-032	Blower Control Relay			X					X			
4	8407-034	Transformer	X	X		X	X	X	X		X	X	X
4	8407-042	Transformer			X					X			
5	8401-007	Compressor Contactor	X			X		X			X		
5	8401-002	Compressor Contactor		X	X		X	X	X	X	X	X	X
6	8552-052	Compressor Capacitor	X					X					
6	8552-002	Outdoor Motor Capacitor		X	X		X		X	X		X	X
6	8552-062	Compressor Capacitor				X					X		
7	135-122	Wire Shield	X	X	X	X	X	X	X	X	X	X	X
8	8611-006	Ground Terminal	X	X	X	X	X	X	X	X	X	X	X
9	3000-968	6 Pin Connector	X	X	X	X	X	X	X	X	X	X	X
10	8201-088	Compressor Control Module (Opt.)	X	X	X	X	X	X	X	X	X	X	X
11	8201-126	Phase Monitor		X	X		X		X	X		X	X
12	8607-017	Terminal Block (Optional)	X	X	X	X	X	X	X	X	X	X	X
13	8551-004	Start Device (PTCR) (Optional)	X			X		X			X		
14	8201-062	Alarm Relay (Optional)	X	X	X	X	X	X	X	X	X	X	X
15	117X137	Control Panel Top	X	X	X	X	X	X	X	X	X	X	X
16	117X123	Control Panel	X	X	X	X	X	X	X	X	X	X	X
NS	8615-038	Circuit Breaker 35A 2 Pole (Opt.) ①	X			X		X			X		
NS	8615-054	Circuit Breaker 20A 3 Pole (Opt.) ①		X									
NS	8615-067	Circuit Breaker 30A 3 Pole (Opt.) ①							X			X	
NS	8615-067	Toggle Disconnect (Optional) ①			X		X			X			X
NS	4095-169	Wiring Diagram	X			X		X			X		
NS	4095-260	Wiring Diagram		X					X			X	
NS	4095-360	Wiring Diagram			X					X			
NS	4095-636	Wiring Diagram					X						X

NS = Not Shown

① Circuit breakers listed are for units without electric heat, "0Z" models. Hot gas bypass models not available without electric heat. See Heater Replacement Parts Manual for units with electric heat.

BLOWER ASSEMBLY



SEXP-346

Dwg No.	Part Number	Description	S900-231	S900-232
1	151-111	Housing	2	2
2	144-174	Diffuser	2	2
3	8105-029	Blower Motor (230/208)	X	
3	8105-033	Blower Motor (460)		X
4	8552-002	Capacitor	X	X
5	8200-031	Motor Mount	X	X
6	5451-011	Grommets	6	6
7	105-870	Back Brace	X	X
8	103-401	Front Brace	X	X
9	5152-090	Wheel CW	X	X
10	5152-091	Wheel CCW	X	X