
REPLACEMENT PARTS MANUAL

WALL MOUNTED PACKAGE AIR CONDITIONER

Models: **W48A23, W48L23**
W60A23, W60L23

General Notes

- Revised and/or additional pages may be issued from time to time.
- A complete and current manual consists of pages shown in the following contents section.

Important

- Contact the installing and/or local Bard distributor for all parts requirements. Make sure you have the complete model and serial number available from the unit rating plates.

Contents

Description	Page
Cabinet Components	
♦ Exploded View - Right Hand	2
♦ Usage List - Right Hand.....	3
♦ Exploded View - Left Hand.....	4
♦ Usage List - Left Hand	5
Functional Components	
♦ Exploded View	6
♦ Usage List	7
Control Panel	
♦ Exploded View	8
♦ Usage List	9
Blower Assembly	
♦ Exploded View	10
♦ Usage List	10

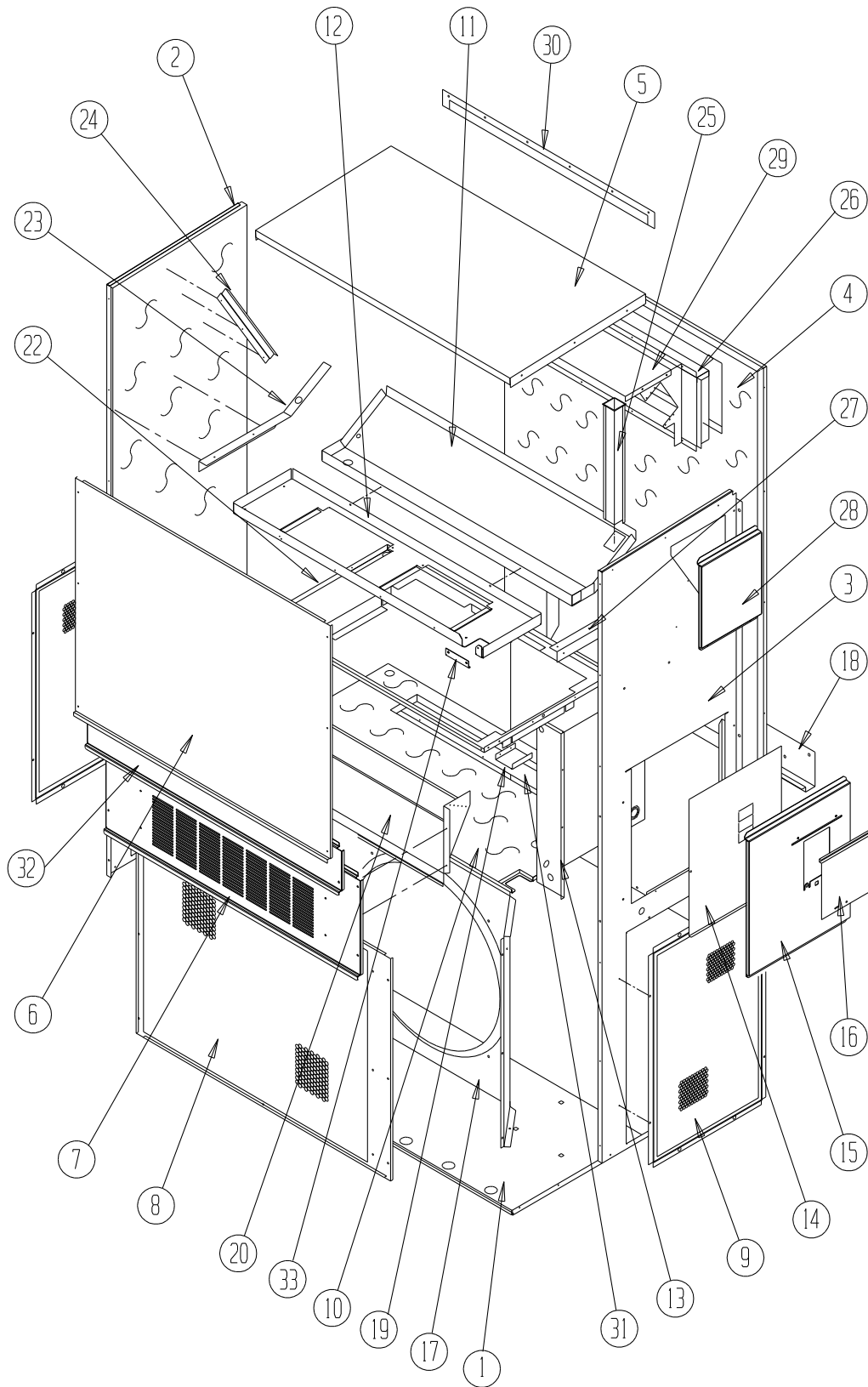


Climate Control Solutions

Bard Manufacturing Company, Inc.
Bryan, Ohio 43506
Since 1914...Moving ahead, just as planned.

Manual: 2110-1412C
Supersedes: 2110-1412B
File: Tab 16
Date: 02-06-14

CABINET COMPONENTS



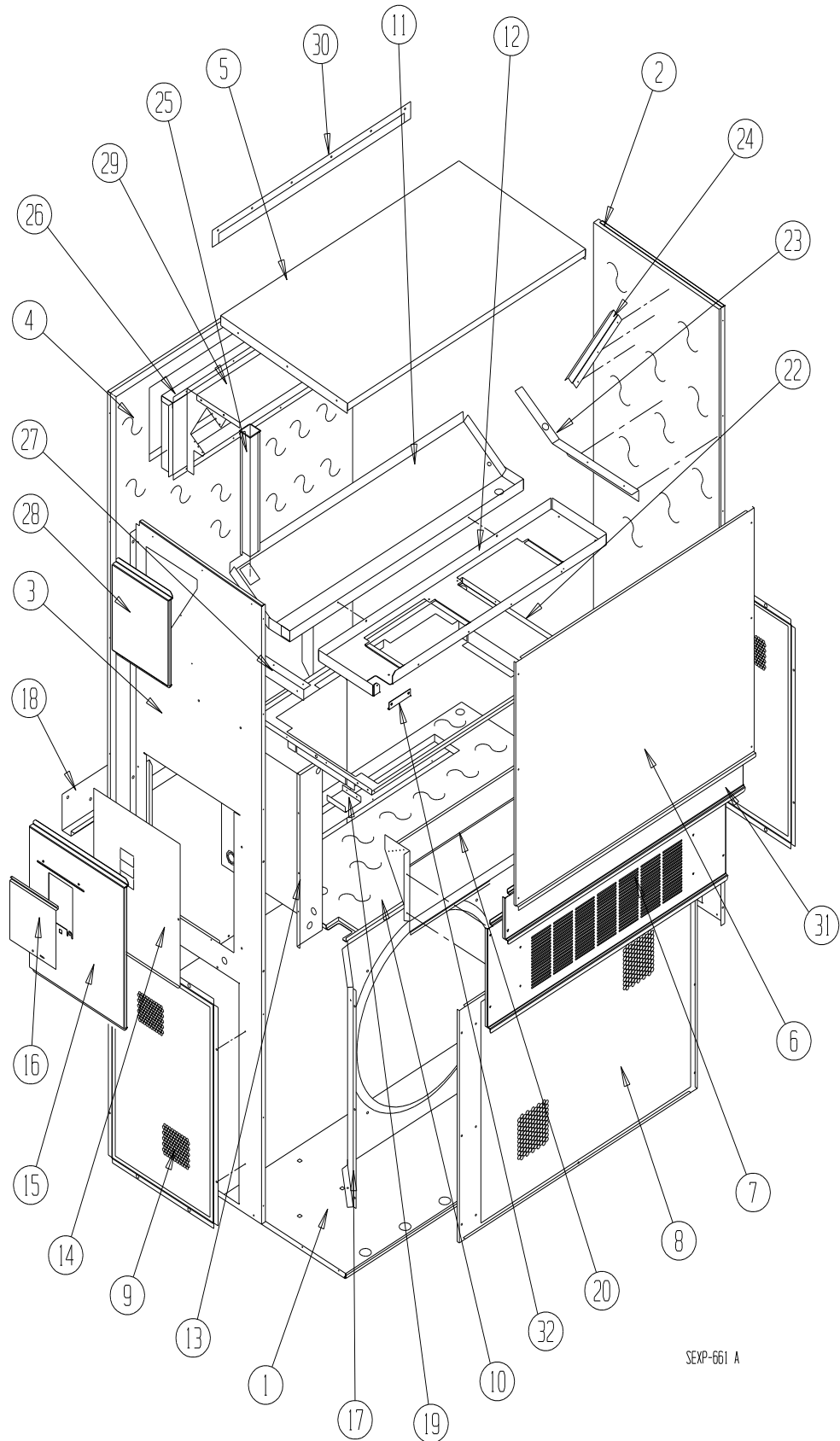
SEXP-658 A

CABINET COMPONENTS

Dwg No.	Part Number	Description	W48A23	W60A23
1	S127-425	Lower Base	X	X
2	S501-686-* ①	Left Side	X	X
3	S501-677-* ①	Right Side	X	X
4	S501-155	Back	X	X
5	S507-307-* ①	Top	X	X
6	S515-230-* ①	Upper Front	X	X
7	S553-522-* ①	Vent Option Door	X	X
8	118-048-* ①	Condenser Griller	X	X
9	118-057-* ①	Side Grille	2	2
10	S521X493	Condenser Partition	X	X
11	S123-122	Drain Pan	X	X
12	121X463	Blower Partition	X	X
13	Control Panel Assy.	See Control Panel Assy. Drawing & Parts List	X	X
14	S132-114	Control Panel Cover (Inner)	X	X
15	S533-225-* ①	Control Panel Cover (Outer)	X	X
16	S153-218-* ①	Disconnect Access Door	X	X
17	125-024	Fan Shroud	X	X
18	113-140	Bottom Mounting Bracket	X	X
20	BOP-5	Blank-Off Plate	X	X
22	131X099	Filter Tray	X	X
23	105X877	Left Side Support	X	X
24	147-046	Evaporator Support	X	X
25	135-128	Raceway	2	2
26	111-066	Outlet Air Frame Assembly	X	
26	S111X030	Outlet Air Frame Assembly		X
27	105X878	Right Side Support	X	X
28	S543-172-* ①	Right Side Cover Plate (Outer)	X	X
29	135X123	Heat Shield		X
30	113-150-* ①	Top Rain Flashing	X	X
31	S536-258	Cond. Partition Block Off Plate	X	X
32	S553-521-* ①	Filter Door Assembly	X	X
33	105-1302	Grommet Retainer	X	X

① Exterior cabinet parts are manufactured with various paint color options. To ensure that you receive the proper paint color, you must include the complete model and serial number of the unit for which cabinet parts are being ordered.

CABINET COMPONENTS



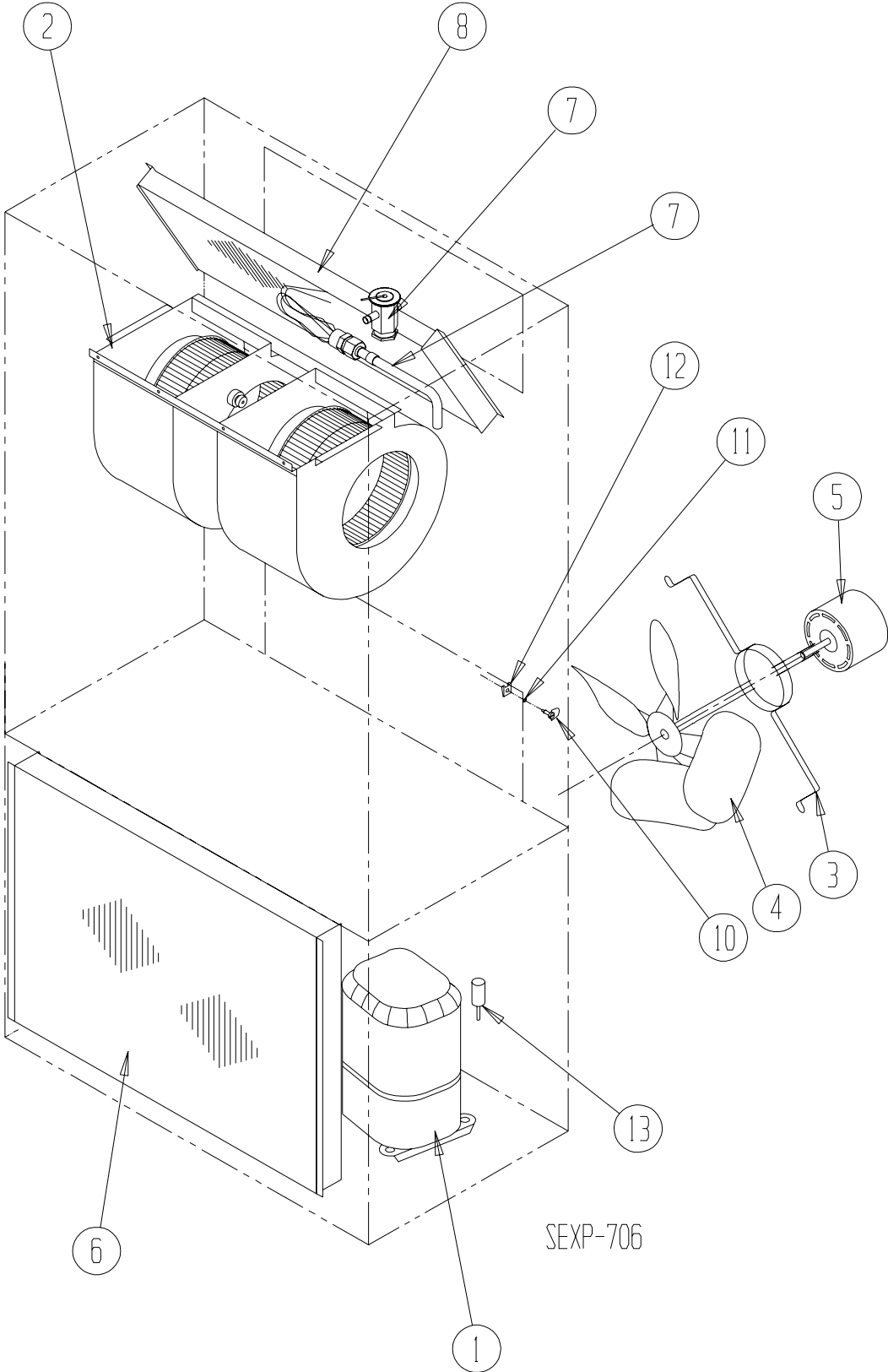
SEXP-661 A

CABINET COMPONENTS

Dwg No.	Part Number	Description	W48L23	W60L23
1	S127-428	Lower Base	X	X
2	S501-687-* ①	Right Side	X	X
3	S501-680-* ①	Left Side	X	X
4	S501-155	Back	X	X
5	S507-307-* ①	Top	X	X
6	S515-230-* ①	Upper Front	X	X
7	S553-522-* ①	Vent Option Door	X	X
8	118-049-* ①	Condenser Griller	X	X
9	118-057-* ①	Side Grille	2	2
10	S521Y493	Condenser Partition	X	X
11	S123-121	Drain Pan	X	X
12	121Y463	Blower Partition	X	X
13	Control Panel Assy.	See Control Panel Assy. Drawing & Parts List	X	X
14	S132-114	Control Panel Cover (Inner)	X	X
15	S533-227-* ①	Control Panel Cover (Outer)	X	X
16	S153-218-* ①	Disconnect Access Door	X	X
17	125-024	Fan Shroud	X	X
18	113-140	Bottom Mounting Bracket	X	X
20	BOP-5	Blank-Off Plate	X	X
22	131Y099	Filter Tray	X	X
23	105Y877	Right Side Support	X	X
24	147-046	Evaporator Support	X	X
25	135-128	Raceway	2	2
26	111-066	Outlet Air Frame Assembly	X	
26	S111Y030	Outlet Air Frame Assembly		X
27	105Y878	Left Side Support	X	X
28	S543-172-* ①	Right Side Cover Plate (Outer)	X	X
29	135Y123	Heat Shield		X
30	113-150-* ①	Top Rain Flashing	X	X
31	S553-521-* ①	Filter Door Assembly	X	X
32	105-1302	Grommet Retainer	X	X
NS	S536-498	Cond. Partition Block Off Plate	X	X

① Exterior cabinet parts are manufactured with various paint color options. To ensure that you receive the proper paint color, you must include the complete model and serial number of the unit for which cabinet parts are being ordered.

FUNCTIONAL COMPONENTS



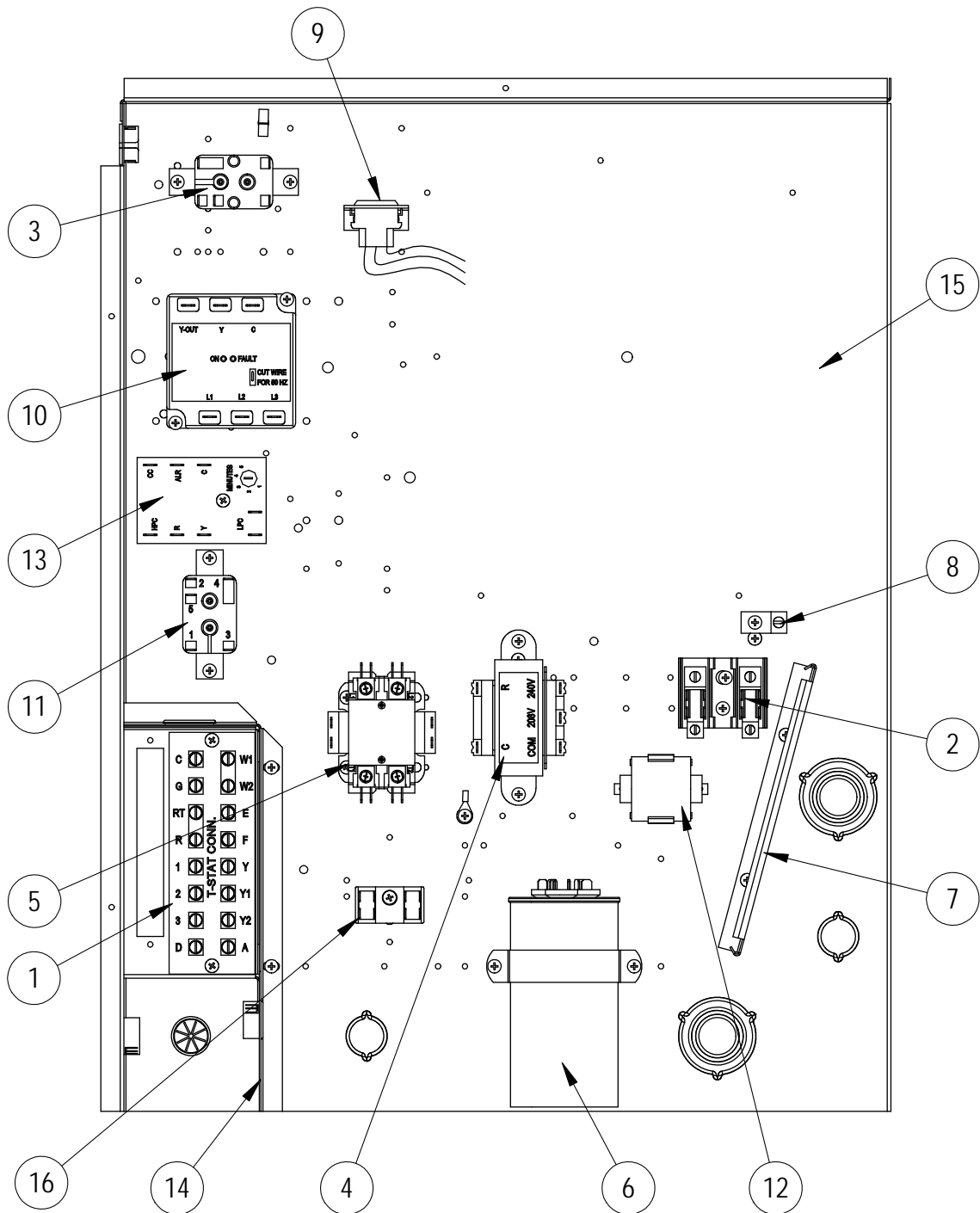
FUNCTIONAL COMPONENTS

Dwg No.	Part Number	Description	W48A23	W60A23	W48L23	W60L23
1	8000-400	Compressor	X		X	
1	8000-324	Compressor		X		X
2	S900-320	Blower Assembly	X		X	
2	S900-185	Blower Assembly		X		X
3	8200-004	Fan Motor Mount	X	X	X	X
4	5151-027	Fan Blade	X	X	X	X
5	8105-039	Condenser Motor	X	X	X	X
6	5051-179BX	Condenser Coil	X		X	
6	5051-180BX	Condenser Coil		X		X
7	800-0422	Distributor Assembly	X		X	
7	800-0423	Distributor Assembly		X		X
8	917-0207BX	Evaporator Coil with Distributor Assembly	X		X	
8	917-0208BX	Evaporator Coil with Distributor Assembly		X		X
10	1171-022	1/4 Turn Fastener	X	X	X	X
11	1171-024	1/4 Turn Retainer	X	X	X	X
12	1171-023	1/4 Receptacle	X	X	X	X
NS	5201-022	Filter Drier	X	X	X	X
NS	1804-0385	High Pressure Switch (Flare)	X	X	X	X
NS	1804-0386	Low Pressure Switch (Flare)	X	X	X	X
NS	CMA-28	Low Ambient Control (Flare) ①	X	X	X	X
NS	5451-024	Tubing Isolation Grommet	2	2	2	2

NS = Not Shown

① Optional on these Models.

CONTROL PANEL



SEXP-659

CONTROL PANEL

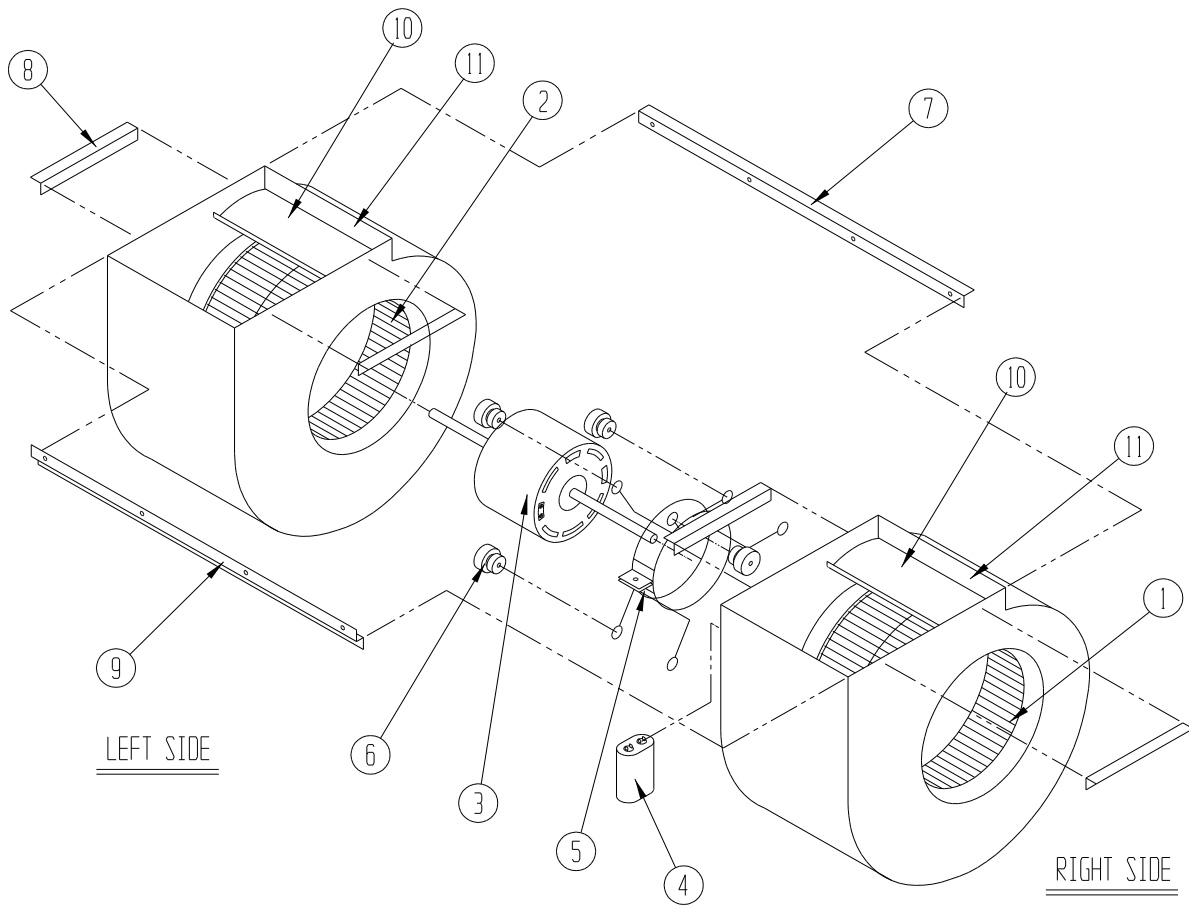
Dwg No.	Part Number	Description	W48A23	W60A23	W48L23	W60L23
1	8607-034	Low Voltage Terminal Strip	X	X	X	X
2	8607-013	Terminal Block 2 Pole	X	X	X	X
3	8201-009	Blower Control Relay	X	X	X	X
4	8407-034	Transformer	X	X	X	X
5	8401-025	Compressor Contactor	X	X	X	X
6	8552-058	Compressor Capacitor		X		X
6	8552-089	Compressor Capacitor	X		X	
7	135-130	Wire Shield	X	X	X	X
8	8611-006	Ground Terminal	X	X	X	X
9	3000-1277	6 Pin Connector	X	X	X	X
11	8201-062	Alarm Relay ①	X	X	X	X
12	8551-004	Start Device (PTCR)	X	X	X	X
13	8201-148	Compressor Control Module	X	X	X	X
14	117X333	Low Voltage Box	X	X		
14	117Y333	Low Voltage Box			X	X
15	117X340	Control Panel	X	X		
15	117Y340	Control Panel			X	X
16	8607-017	Terminal Block ①	X	X	X	X
NS	8615-040	Circuit Breaker 50A 2 Pole ②	X		X	
NS	8615-041	Circuit Breaker 60A 2 Pole ②		X		X
NS	4095-163	Wiring Diagram	X	X	X	X

① Optional on these models.

② Circuit breakers listed are for units without electric heat "0Z" models. Hot gas bypass models not available without electric heat. See Heater Replacement Parts Manual for units with electric heat.

NS = Not shown

BLOWER ASSEMBLY



SEXP-178

Dwg No.	Part Number	Description	S900-185	S900-320
1	5152-011	10 Inch Wheel (CW)	X	
1	5152-057	9 Inch Wheel (CW)		X
2	5152-012	10 Inch Wheel (CCW)	X	
2	5152-058	9 Inch Wheel (CCW)		X
3	8106-046	Blower Motor (230/208)	X	
3	8105-061	Blower Motor (230/208)		X
4	8552-005	Capacitor	X	
4	8552-091	Capacitor		X
5	8200-040	Motor Mount	X	X
6	5451-011	Grommets	6	6
7	105-881	Back Brace	X	X
8	105-880	Side Angle	4	4
9	103-389	Front Brace	X	X
10	151-101	Housing	2	2
11	144-166	Diffuser	2	2