
REPLACEMENT PARTS MANUAL

WALL MOUNTED PACKAGE AIR CONDITIONER

Models: **J17A2 J24A2**
J17L2 J24L2

General Notes

- Revised and/or additional pages may be issued from time to time.
- A complete and current manual consists of pages shown in the following contents section.

Important

- Contact the installing and/or local Bard distributor for all parts requirements. Make sure you have the complete model and serial number available from the unit rating plates.

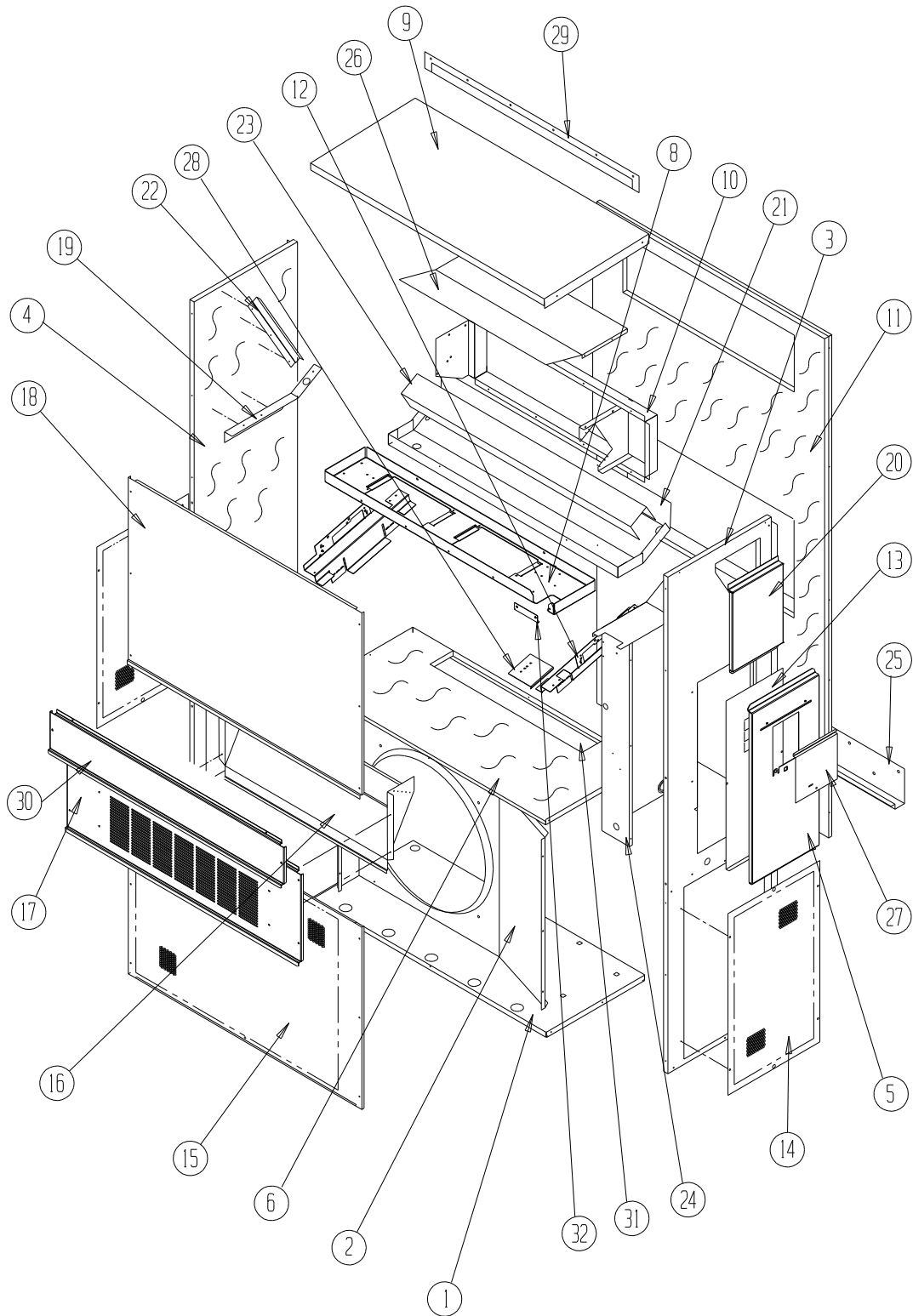
Contents

| Description | Page |
|--------------------------------|------|
| Cabinet Components – Right | |
| ♦ Exploded View | 2 |
| ♦ Usage List | 3 |
| Cabinet Components – Left | |
| ♦ Exploded View | 4 |
| ♦ Usage List | 5 |
| Functional Components – Right | |
| ♦ Exploded View | 6 |
| ♦ Usage List | 7 |
| Functional Components – Left | |
| ♦ Exploded View | 8 |
| ♦ Usage List | 9 |
| Control Panel – Right | |
| ♦ Exploded View | 10 |
| ♦ Usage List | 11 |
| Control Panel – Left | |
| ♦ Exploded View | 12 |
| ♦ Usage List | 13 |
| Blower Assembly – Right & Left | |
| ♦ Exploded View | 14 |
| ♦ Usage List | 14 |



Manual: 2110-1413C
Supersedes: 2110-1413B
File: Tab 16
Date: 08-28-14

CABINET COMPONENTS – RIGHT



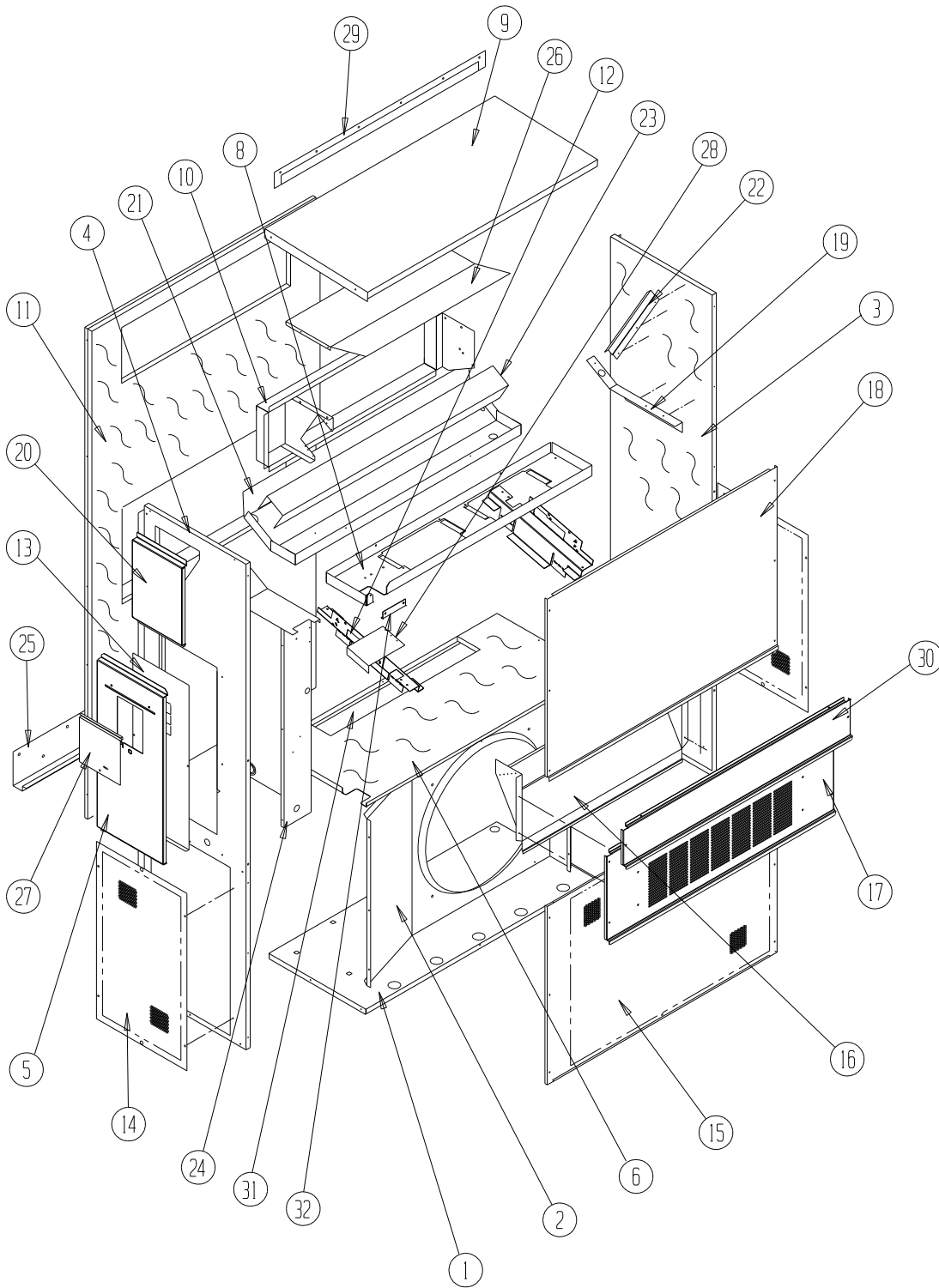
SEXP-684

CABINET COMPONENTS – RIGHT

| Dwg No. | Part Number | Description | J17A2-A | J24A2-A, B | J24A2-C |
|---------|------------------------|----------------------------------------------------|---------|------------|---------|
| 1 | 127-467 | Lower Base | X | X | X |
| 2 | 125-023 | Fan Shroud | X | X | X |
| 3 | S501-684-* ① | Right Side | X | X | X |
| 4 | S501-711-* ① | Left Side | X | X | X |
| 5 | S533-228 ① | Control Panel Cover (Outer) | X | X | X |
| 6 | S521X479 | Condenser Partition | X | X | X |
| 8 | 121X480 | Blower Partition | X | X | X |
| 9 | S507-311-* ① | Top | X | X | X |
| 10 | S111X032 | Outlet Air Frame Assembly | X | X | X |
| 11 | S508-097 | Back | X | X | X |
| 12 | 113X480 | Filter Bracket | 2 | 2 | 2 |
| 13 | S132-104 | Control Panel Cover (Inner) | X | X | |
| 13 | S132-172 | Control Panel Cover (Inner) | | | X |
| 14 | 118-056-* ① | Side Grille | 2 | 2 | 2 |
| 15 | 118-050-* ① | Condenser Grille | X | X | X |
| 16 | BFAD-2 | Fresh Air Damper Assembly | X | X | X |
| 17 | S553-537-* ① | Vent Option Door | X | X | X |
| 17 | S553-539 ① | Vent Option Door with ERV | X | X | X |
| 18 | S514-263-* ① | Upper Front | X | X | X |
| 19 | 105X850 | Side Support | X | X | X |
| 20 | S543-175-* ① | Right Side Cover Plate (Outer) | X | X | X |
| 21 | S123-126 | Drain Pan | X | X | X |
| 22 | 147-044 | Evaporator Support | X | X | X |
| 23 | 137-694 | Bottom Evaporator Fill | X | X | X |
| 24 | Control Panel Assembly | See Control Panel Assy. Drawing & Parts List Assy. | X | X | X |
| 25 | 113-140 | Bottom Mounting Bracket | X | X | X |
| 26 | 135X127 | Heat Shield | X | X | X |
| 27 | S153-218 ① | Disconnect Access Door | X | X | X |
| 28 | 137-259 | Fill Plate | X | X | X |
| 29 | 113-141-* ① | Top Rain Flashing | X | X | X |
| 30 | S553-538-* ① | Filter Door | X | X | X |
| 31 | S536-176 | Cond. Partition Block Off Plate | X | X | X |
| 32 | 105-1302 | Grommet Retainer | X | X | X |

① Exterior cabinet parts are manufactured with various paint color options. To ensure that you receive the proper paint color, you must include the complete model and serial number of the unit for which cabinet parts are being ordered.

CABINET COMPONENTS – LEFT



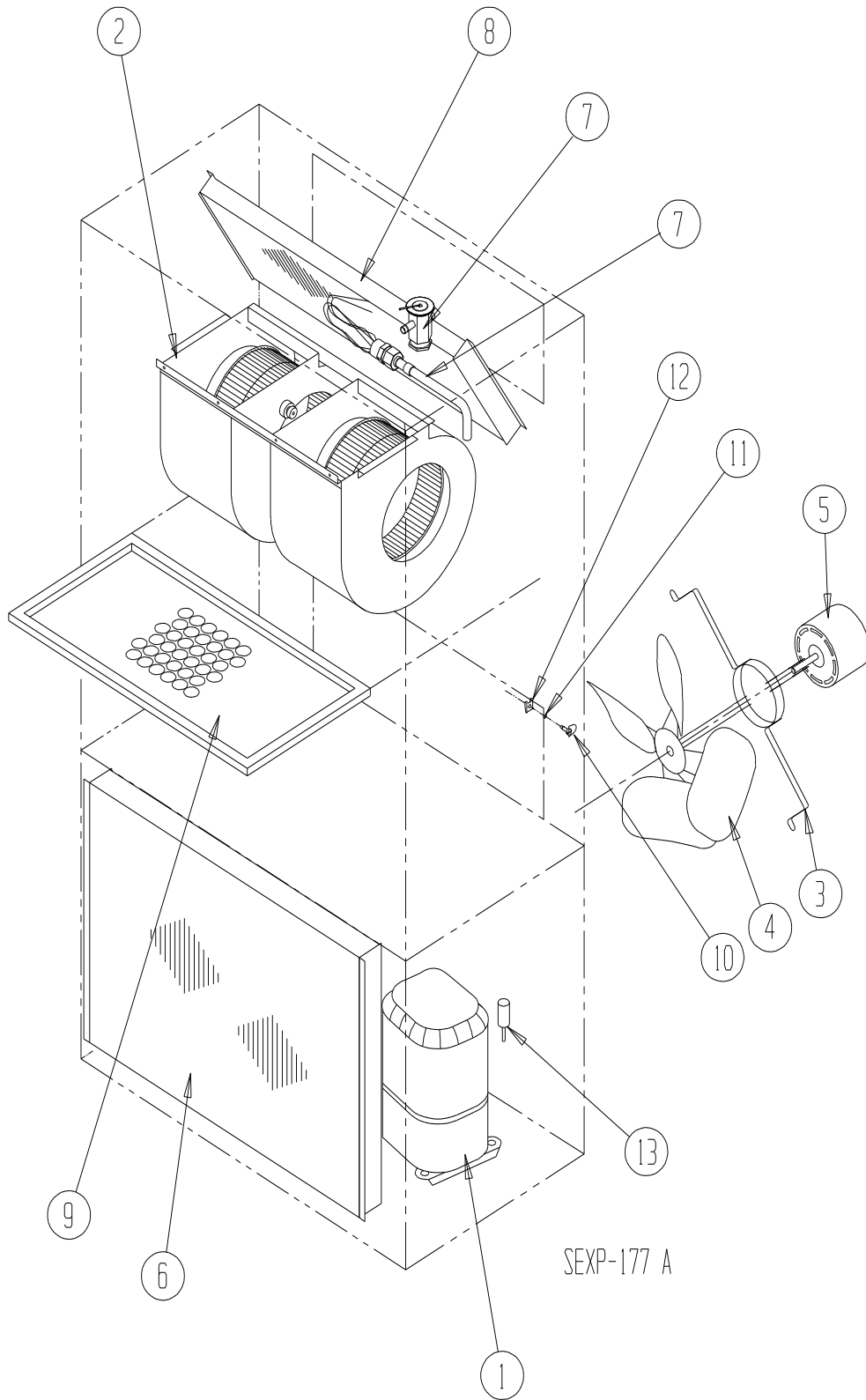
SEXP-686

CABINET COMPONENTS – LEFT

| Dwg No. | Part Number | Description | J17L2-A | J24L2-A, B |
|---------|------------------------|----------------------------------------------------|---------|------------|
| 1 | 127-468 | Lower Base | X | X |
| 2 | 125-023 | Fan Shroud | X | X |
| 3 | S501-710-* ① | Right Side | X | X |
| 4 | S501-685-* ① | Left Side | X | X |
| 5 | S533-228 ① | Control Panel Cover (Outer) | X | X |
| 6 | S521Y479 | Condenser Partition | X | X |
| 8 | 121Y480 | Blower Partition | X | X |
| 9 | S507-311-* ① | Top | X | X |
| 10 | S111Y032 | Outlet Air Frame Assembly | X | X |
| 11 | S508-097 | Back | X | X |
| 12 | 113Y480 | Filter Bracket | 2 | 2 |
| 13 | S132-104 | Control Panel Cover (Inner) | X | X |
| 14 | 118-056-* ① | Side Grille | 2 | 2 |
| 15 | 118-051-* ① | Condenser Grille | X | X |
| 16 | BFAD-2 | Fresh Air Damper Assembly | X | X |
| 17 | S553-537-* ① | Vent Option Door | X | X |
| 18 | S514-263-* ① | Upper Front | X | X |
| 19 | 105Y850 | Side Support | X | X |
| 20 | S543-175-* ① | Right Side Cover Plate (Outer) | X | X |
| 21 | S123-131 | Drain Pan | X | X |
| 22 | 147-044 | Evaporator Support | X | X |
| 23 | 137-694 | Bottom Evaporator Fill | X | X |
| 24 | Control Panel Assembly | See Control Panel Assy. Drawing & Parts List Assy. | X | X |
| 25 | 113-140 | Bottom Mounting Bracket | X | X |
| 26 | 135Y127 | Heat Shield | X | X |
| 27 | S153-218 ① | Disconnect Access Door | X | X |
| 28 | 137-259 | Fill Plate | X | X |
| 29 | 113-141-* ① | Top Rain Flashing | X | X |
| 30 | S553-538-* ① | Filter Door | X | X |
| 31 | S536-176 | Cond. Partition Block Off Plate | X | X |
| 32 | 105-1302 | Grommet Retainer | X | X |

① Exterior cabinet parts are manufactured with various paint color options. To ensure that you receive the proper paint color, you must include the complete model and serial number of the unit for which cabinet parts are being ordered.

FUNCTIONAL COMPONENTS – RIGHT



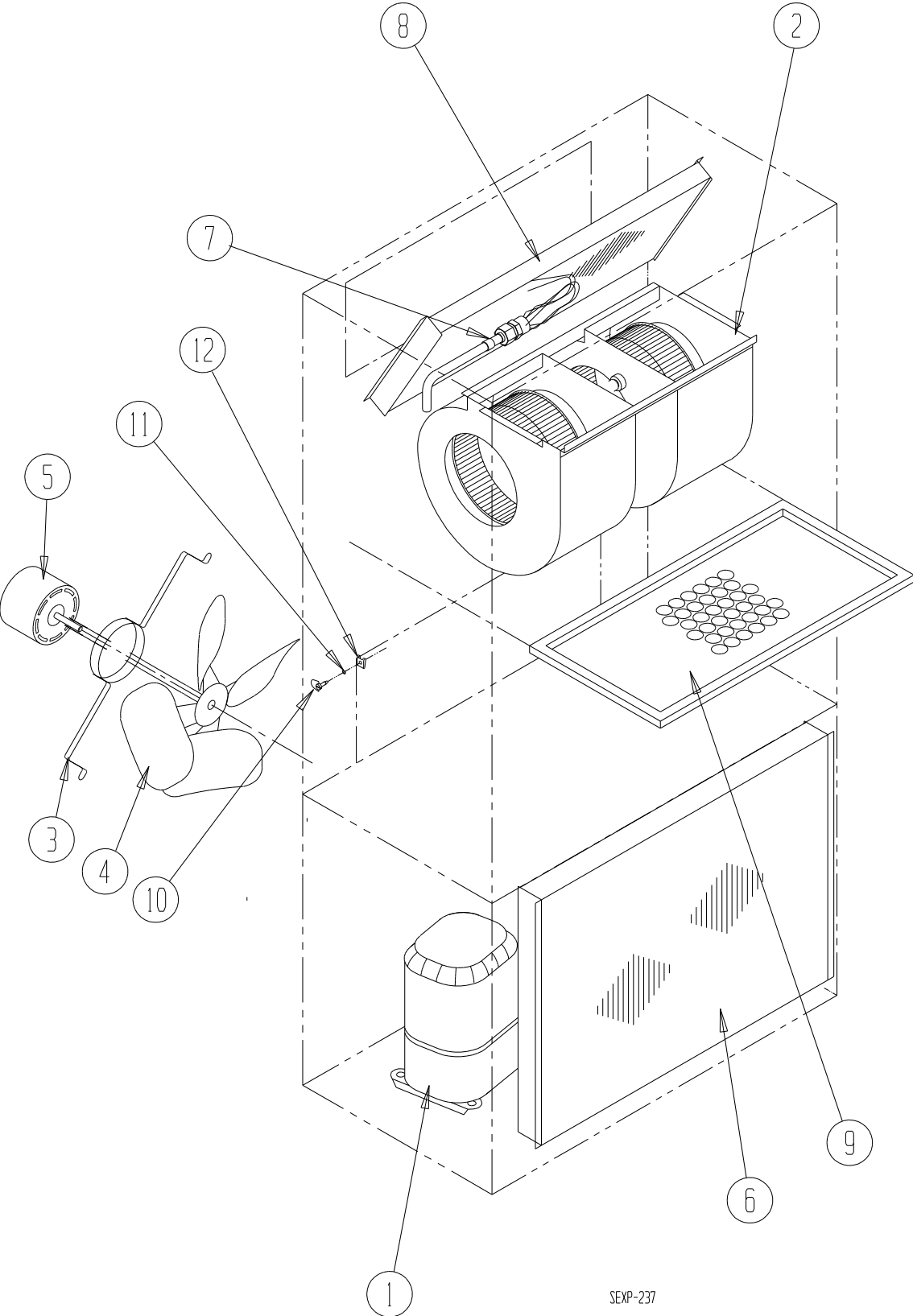
FUNCTIONAL COMPONENTS – RIGHT

| Dwg No. | Part Number | Description | J17A2-A | J24A2-A | J24A2-B | J24A2-C |
|---------|-------------|-------------------------------------------|---------|---------|---------|---------|
| 1 | 8000-313 | Compressor | X | | | |
| 1 | 8000-314 | Compressor | | X | | |
| 1 | 8000-315 | Compressor | | | X | |
| 1 | 8000-316 | Compressor | | | | X |
| 2 | S900-326 | Blower Assembly | | X | X | |
| 2 | S900-327 | Blower Assembly | | | | X |
| 2 | S900-291 | Blower Assembly | X | | | |
| 3 | 8200-001 | Fan Motor Mount | X | X | X | X |
| 4 | 5151-033 | Fan Blade | X | X | X | |
| 4 | 5151-046 | Fan Blade | | | | X |
| 5 | 8103-016 | Condenser Motor | X | X | X | |
| 5 | 8103-020 | Condenser Motor | | | | X |
| 6 | 5051-184BX | Condenser Coil | X | | | |
| 6 | 5051-185BX | Condenser Coil | | X | X | X |
| 7 | 5651-217 | TXV | X | | | |
| 7 | 800-0427 | Distributor Assembly | | | | |
| 7 | 800-0428 | Distributor Assembly | | X | X | X |
| 7 | 800-0426 | Distributor Assembly | X | | | |
| 8 | 917-0218BX | Evaporator Coil with Distributor Assembly | X | | | |
| 8 | 917-0219BX | Evaporator Coil with Distributor Assembly | | | | |
| 8 | 917-0220BX | Evaporator Coil with Distributor Assembly | | X | X | X |
| 9 | 7004-011 | Air Filter 1" Throw-Away | X | X | X | X |
| 9 | 7003-032 | Air Filter 1" Washable ① | X | X | X | X |
| 9 | 7004-025 | Air Filter 2" Pleated ① | X | X | X | X |
| 10 | 1171-022 | 1/4" Turn Fastener | X | X | X | X |
| 11 | 1171-024 | 1/4" Turn Retainer | X | X | X | X |
| 12 | 1171-023 | 1/4" Receptacle | X | X | X | X |
| 13 | 1804-0385 | High Pressure Switch (Flare) | X | X | X | X |
| 13 | 1804-0386 | Low Pressure Switch (Flare) | X | X | X | X |
| NS | CMA-28 | Low Ambient Control (Flare) ① | X | X | X | X |
| NS | 5201-021 | Filter Drier | X | X | X | X |

NS – Not Shown

① – Optional on these models

FUNCTIONAL COMPONENTS – LEFT



SEXP-237

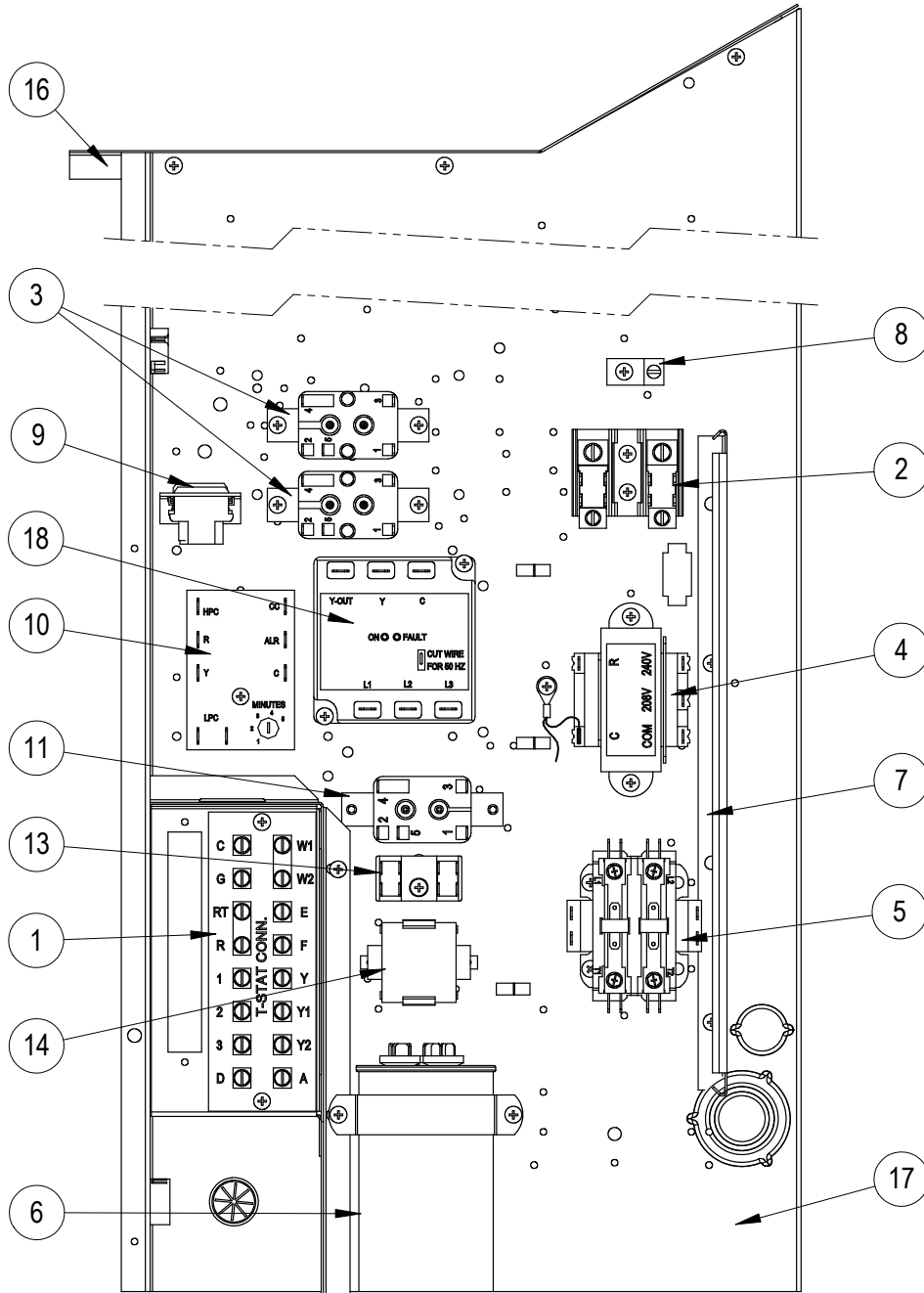
FUNCTIONAL COMPONENTS – LEFT

| Dwg No. | Part Number | Description | J17L2-A | J24L2-A | J24L2-B |
|---------|-------------|-------------------------------------------|---------|---------|---------|
| 1 | 8000-313 | Compressor | X | | |
| 1 | 8000-314 | Compressor | | X | |
| 1 | 8000-315 | Compressor | | | X |
| 1 | 8000-316 | Compressor | | | X |
| 2 | S900-326 | Blower Assembly | | X | X |
| 2 | S900-291 | Blower Assembly | X | | |
| 3 | 8200-001 | Fan Motor Mount | X | X | X |
| 4 | 5151-033 | Fan Blade | X | X | X |
| 5 | 8103-016 | Condenser Motor | X | X | X |
| 6 | 5051-184BX | Condenser Coil | X | | |
| 6 | 5051-185BX | Condenser Coil | | X | X |
| 7 | 5651-217 | TXV | X | | |
| 7 | 800-0428 | Distributor Assembly | | X | X |
| 7 | 800-0426 | Distributor Assembly | X | | |
| 8 | 917-0218BX | Evaporator Coil with Distributor Assembly | X | | |
| 8 | 917-0220BX | Evaporator Coil with Distributor Assembly | | X | X |
| 9 | 7004-011 | Air Filter 1" Throw-Away | X | X | X |
| 9 | 7003-032 | Air Filter 1" Washable ① | X | X | X |
| 9 | 7004-025 | Air Filter 2" Pleated ① | X | X | X |
| 10 | 1171-022 | 1/4" Turn Fastener | X | X | X |
| 11 | 1171-024 | 1/4" Turn Retainer | X | X | X |
| 12 | 1171-023 | 1/4" Receptacle | X | X | X |
| NS | 1804-0385 | High Pressure Switch (Flare) | X | X | X |
| NS | 1804-0386 | Low Pressure Switch (Flare) | X | X | X |
| NS | CMA-28 | Low Ambient Control (Flare) ① | X | X | X |
| NS | 5201-021 | Filter Drier | X | X | X |

NS – Not Shown

① – Optional on these models

CONTROL PANEL – RIGHT



SEXP-685 A

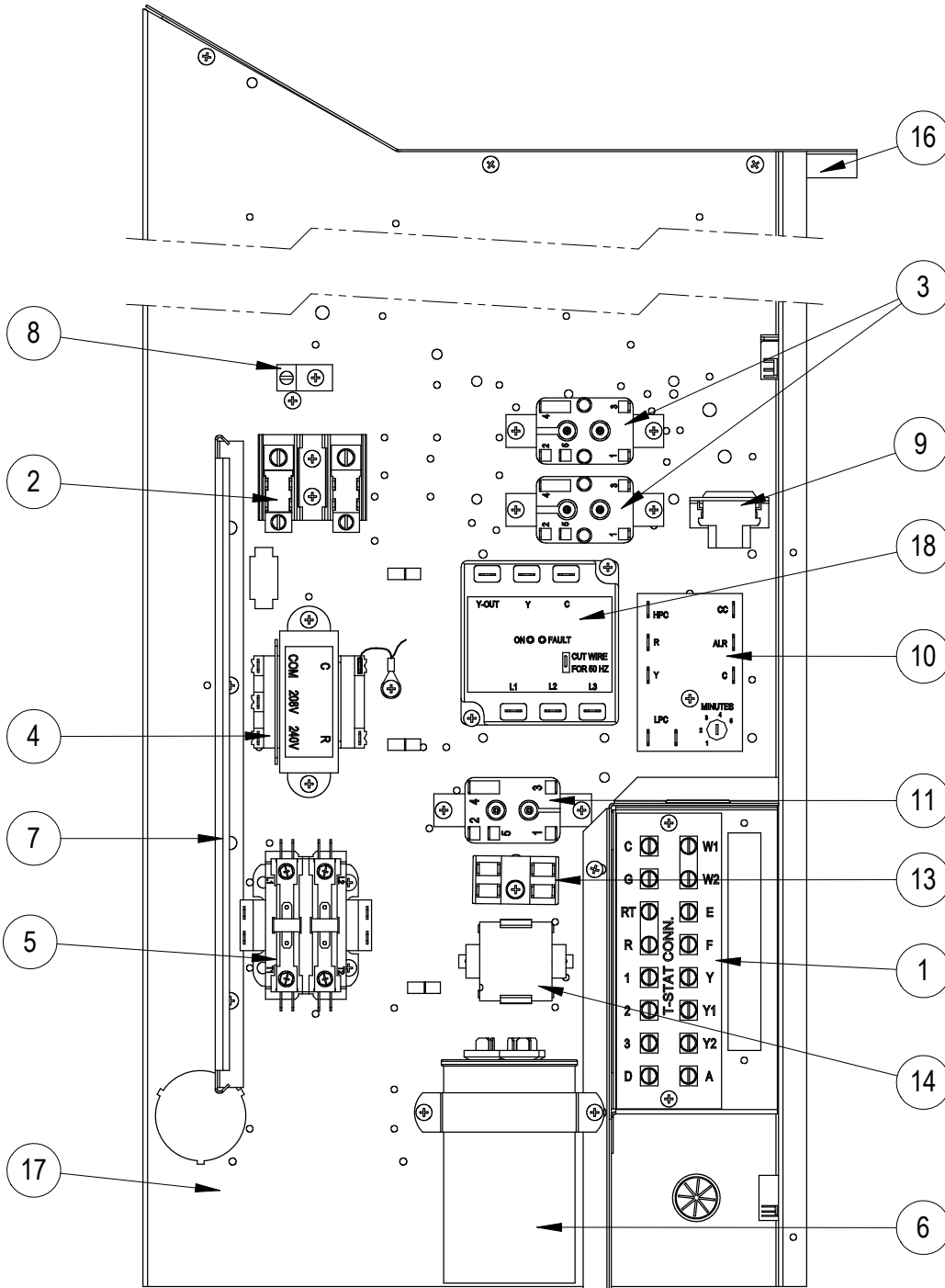
CONTROL PANEL – RIGHT

| Dwg No. | Part Number | Description | J17A2-A | J24A2-A | J24A2-B | J24A2-C |
|---------|-------------|-------------------------------------|---------|---------|---------|---------|
| 1 | 8607-034 | Low Voltage Terminal Strip | X | X | X | X |
| 2 | 8607-013 | Terminal Block 2 Pole | X | X | | |
| 2 | 8607-014 | Terminal Block 3 Pole | | | X | X |
| 3 | 8201-009 | Blower Control Relay | 2 | X | X | |
| 3 | 8201-032 | Blower Control Relay | | | | X |
| 4 | 8407-034 | Transformer | X | X | X | |
| 4 | 8407-042 | Transformer | | | | X |
| 5 | 8401-006 | Compressor Contactor | X | X | | |
| 5 | 8401-002 | Compressor Contactor | | | X | X |
| 6 | 8552-046 | Compressor Capacitor | X | | | |
| 6 | 8552-047 | Compressor Capacitor | | X | | |
| 6 | 8552-002 | Outdoor Motor Capacitor | | | X | X |
| 7 | 135-122 | Wire Shield | X | X | X | X |
| 8 | 8611-006 | Ground Terminal | X | X | X | X |
| 9 | 3000-968 | 6 Pin Connector | X | X | X | X |
| 10 | 8201-088 | Compressor Control Module (Opt.) | X | X | X | X |
| 11 | 8201-062 | Alarm Relay (Optional) | X | X | X | X |
| 13 | 8607-017 | Terminal Block (Optional) | X | X | X | X |
| 14 | 8551-004 | Start Device (PTCR) (Optional) | X | X | | |
| 16 | 117X137 | Control Panel Top | X | X | X | X |
| 17 | 117X123 | Control Panel | X | X | X | X |
| 18 | 8201-126 | Phase Monitor | | | X | X |
| NS | 8615-035 | Circuit Breaker 20A 2 Pole (Opt.) ① | X | | | |
| NS | 8615-036 | Circuit Breaker 25A 2 Pole (Opt.) ① | | X | | |
| NS | 8615-067 | Toggle Disconnect (Optional) ① | | | | X |
| NS | 8615-056 | Circuit Breaker 15A 3 Pole (Opt.) ① | | | X | |
| NS | 4095-170 | Wiring Diagram | X | | | |
| NS | 4095-169 | Wiring Diagram | | X | | |
| NS | 4095-260 | Wiring Diagram | | | X | |
| NS | 4095-360 | Wiring Diagram | | | | X |

NS = Not Shown

- ① Circuit breakers listed are for units without electric heat, "0Z" models. Hot gas bypass models not available without electric heat. See Heater Replacement Parts Manual for units with electric heat.

CONTROL PANEL – LEFT



SEXP-687 A

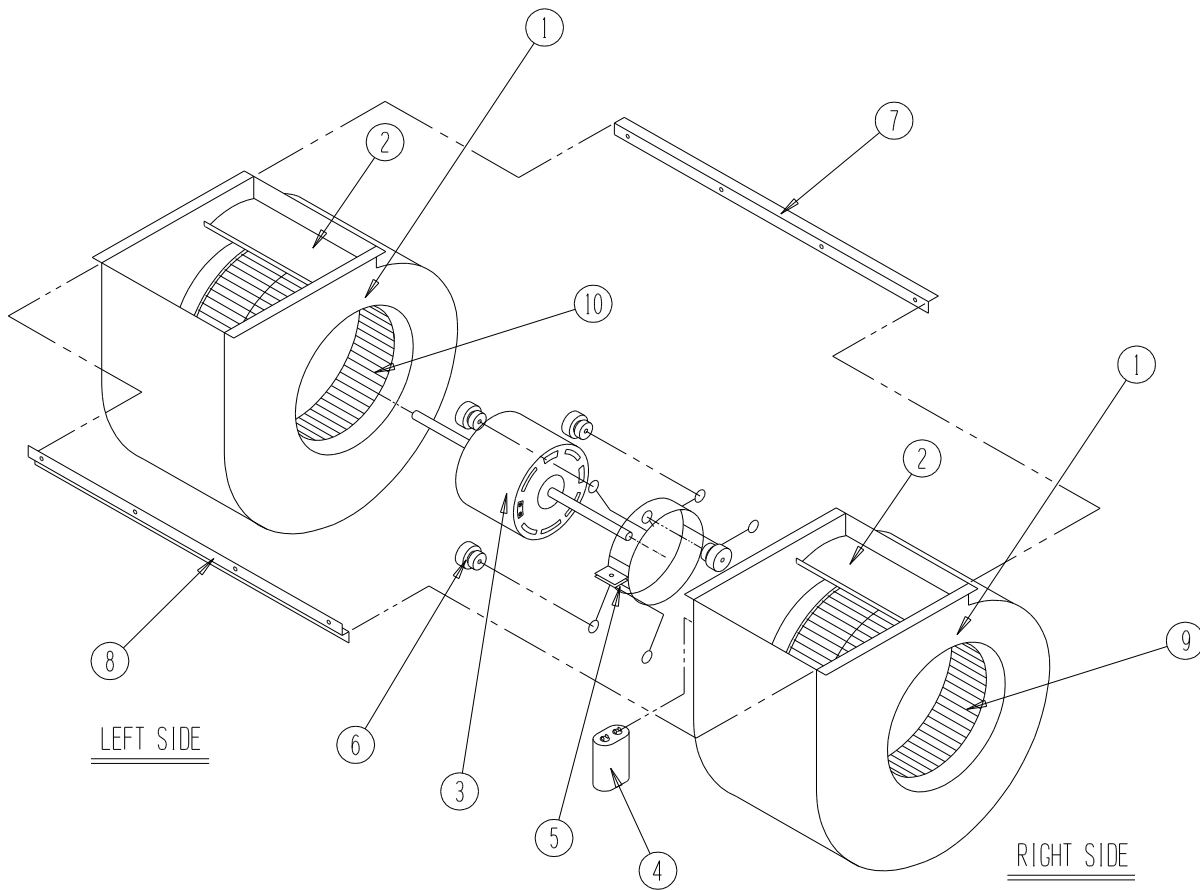
CONTROL PANEL – LEFT

| Dwg No. | Part Number | Description | J17L2-A | J24L2-A | J24L2-B |
|---------|-------------|-------------------------------------|---------|---------|---------|
| 1 | 8607-034 | Low Voltage Terminal Strip | X | X | X |
| 2 | 8607-013 | Terminal Block 2 Pole | X | X | |
| 2 | 8607-014 | Terminal Block 3 Pole | | | X |
| 3 | 8201-009 | Blower Control Relay | 2 | X | X |
| 4 | 8407-034 | Transformer | X | X | X |
| 5 | 8401-006 | Compressor Contactor | X | X | |
| 5 | 8401-002 | Compressor Contactor | | | X |
| 6 | 8552-046 | Compressor Capacitor | X | | |
| 6 | 8552-047 | Compressor Capacitor | | X | |
| 6 | 8552-002 | Outdoor Motor Capacitor | | | X |
| 7 | 135-122 | Wire Shield | X | X | X |
| 8 | 8611-006 | Ground Terminal | X | X | X |
| 9 | 3000-968 | 6 Pin Connector | X | X | X |
| 10 | 8201-088 | Compressor Control Module (Opt.) | X | X | X |
| 11 | 8201-062 | Alarm Relay (Optional) | X | X | X |
| 13 | 8607-017 | Terminal Block (Optional) | X | X | X |
| 14 | 8551-004 | Start Device (PTCR) (Optional) | X | X | X |
| 16 | 117Y137 | Control Panel Top | X | X | X |
| 17 | 117Y123 | Control Panel | X | X | X |
| 18 | 8201-126 | Phase Monitor | | | X |
| NS | 8615-035 | Circuit Breaker 20A 2 Pole (Opt.) ① | X | | |
| NS | 8615-036 | Circuit Breaker 25A 2 Pole (Opt.) ① | | X | |
| NS | 8615-056 | Circuit Breaker 15A 3 Pole (Opt.) ① | | | X |
| NS | 4095-170 | Wiring Diagram | X | | |
| NS | 4095-169 | Wiring Diagram | | X | |
| NS | 4095-260 | Wiring Diagram | | | X |

NS = Not Shown

- ① Circuit breakers listed are for units without electric heat, "0Z" models. Hot gas bypass models not available without electric heat. See Heater Replacement Parts Manual for units with electric heat.

BLOWER ASSEMBLY – RIGHT & LEFT



SEXP-346

| Dwg No. | Part Number | Description | S900-326 | S900-327 | S900-291 |
|---------|-------------|------------------------|----------|----------|----------|
| 1 | 151-115 | Housing | 2 | 2 | 2 |
| 2 | 144-183 | Cutoff | X | X | X |
| 3 | 8102-016 | Blower Motor (230/208) | X | | |
| 3 | 8102-017 | Blower Motor (460) | | X | |
| 3 | 8102-014 | Blower Motor (230/208) | | | X |
| 4 | 8552-002 | Capacitor | | | X |
| 4 | 8552-004 | Capacitor | X | X | |
| 5 | 8200-031 | Motor Mount | X | X | X |
| 6 | 5451-011 | Grommets | 6 | 6 | 6 |
| 7 | 105-1061 | Back Brace | X | X | X |
| 8 | 103-435 | Front Brace | X | X | X |
| 9 | 5152-092 | Wheel 9-6 CW | X | X | X |
| 10 | 5152-093 | Wheel 9-6 CCW | X | X | X |