
REPLACEMENT PARTS MANUAL

WALL-MOUNTED VARIABLE CAPACITY ENVIRONMENTAL CONTROL UNITS

Models:

W3RV2-R W3LV2-R
W3RV2-S W3LV2-S
W3RV2-T W3LV2-T

Contents

| Description | Page |
|---|------|
| Cabinet Components – Right (Extreme Duty Door) | |
| ♦ Exploded View | 2 |
| ♦ Usage List | 3 |
| Cabinet Components – Right (Moderate Duty Door) | |
| ♦ Exploded View | 4 |
| ♦ Usage List | 5 |
| Cabinet Components – Left (Extreme Duty Door) | |
| ♦ Exploded View | 6 |
| ♦ Usage List | 7 |
| Cabinet Components – Left (Moderate Duty Door) | |
| ♦ Exploded View | 8 |
| ♦ Usage List | 9 |
| Functional Components | |
| ♦ Exploded View – Right Hand | 10 |
| ♦ Exploded View – Left Hand | 11 |
| ♦ Usage List – Right & Left Hand | 12 |

| Description | Page |
|--|------|
| Control Panel | |
| ♦ Layout View – Right Hand | 13 |
| ♦ Layout View – Left Left | 14 |
| ♦ Usage List – Right & Left Hand | 15 |
| Blower Assembly | |
| ♦ Exploded View | 16 |
| ♦ Usage List | 16 |

General Notes

- Revised and/or additional pages may be issued from time to time.
- A complete and current manual consists of pages shown in the following contents section.

Important

- Contact the installing and/or local Bard distributor for all parts requirements. Make sure to have the complete model and serial number available from the unit rating plates.

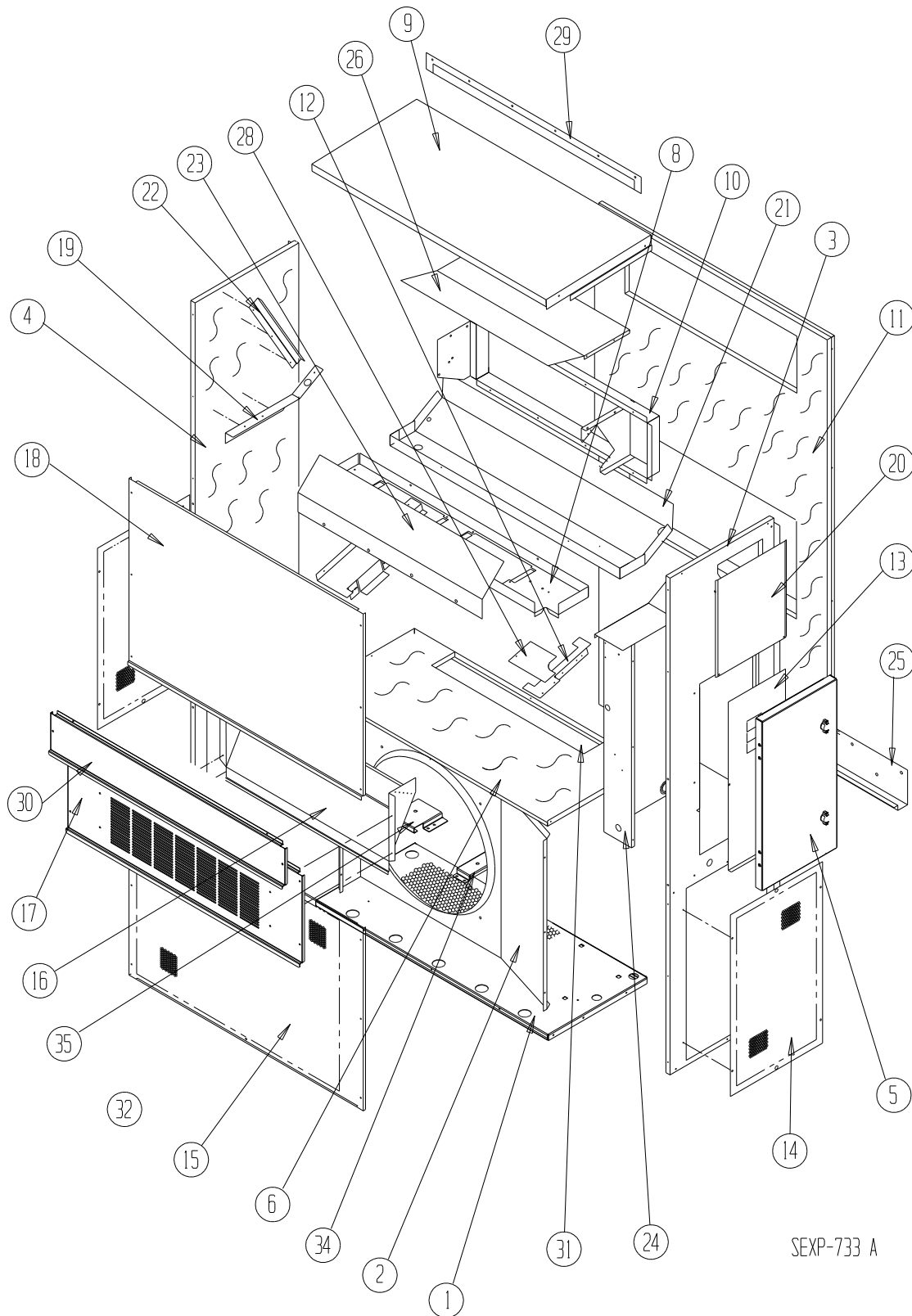


Climate Control Solutions

Bard Manufacturing Company, Inc.
Bryan, Ohio 43506
www.bardhvac.com

Manual: 2110-1416C
Supersedes: 2110-1416B
Date: 7-13-18

CABINET COMPONENTS - RIGHT (EXTREME DUTY DOOR)



CABINET COMPONENTS – RIGHT (EXTREME DUTY DOOR)

| Drawing No. | Part No. | Description | W3RV2-R,S | W3RV2-T |
|-------------|------------------------|---|-----------|---------|
| 1 | S127-486 | Lower Base | X | X |
| 1 | S127-488 | Lower Base | X | X |
| 2 | 125-022 | Fan Shroud | X | X |
| 2 | 125-057 ③ | Fan Shroud | X | X |
| 3 | S501-849-* ① | Right Side | X | X |
| 3 | S501-851 ② | Right Side | X | X |
| 3 | S501-850 ③ | Right Side | X | X |
| 4 | S501-711-* ① | Left Side | X | X |
| 4 | S501-723 ② | Left Side | X | X |
| 4 | S501-721 ③ | Left Side | X | X |
| 5 | DDD3A-* ① | Control Panel Cover (Outer) | X | X |
| 5 | DDD3A-S ④ | Control Panel Cover (Outer) | X | X |
| 6 | S521X466 | Condenser Partition | X | X |
| 8 | 121X467 | Blower Partition | X | X |
| 9 | S507-308-* ① | Top | X | X |
| 9 | S507-320 ② | Top | X | X |
| 9 | S507-319 ③ | Top | X | X |
| 10 | S111X030 | Outlet Air Frame Assembly | X | X |
| 11 | S508-088 | Back | X | X |
| 11 | S508-290 ② | Back | X | X |
| 11 | S508-222 ③ | Back | X | X |
| 12 | 113X480 | Filter Bracket | 2 | 2 |
| 13 | S132-104 | Control Panel Cover (Inner) | X | |
| 13 | S132-208 | Control Panel Cover (Inner) | | X |
| 14 | 118-056-* ① | Side Grille | 2 | 2 |
| 14 | 118-060 ② | Side Grille | 2 | 2 |
| 14 | 118-067 ③ | Side Grille | 2 | 2 |
| 15 | 118-059-* ① | Condenser Grille | X | X |
| 15 | 118-061 ② | Condenser Grille | X | X |
| 15 | 118-066 ③ | Condenser Grille | X | X |
| 16 | BFAD-3 | Fresh Air Damper Assembly | X | X |
| 17 | S553-523-* ① | Vent Option Door | X | X |
| 17 | S553-550 ② | Vent Option Door | X | X |
| 17 | S553-549 ③ | Vent Option Door | X | X |
| 18 | S514-241-* ① | Upper Front | X | X |
| 18 | S514-239 ② | Upper Front | X | X |
| 18 | S514-238 ③ | Upper Front | X | X |
| 19 | 105X850 | Left Side Support | X | X |
| 20 | S543-175-* ① | Heater Access Cover Assembly | X | X |
| 20 | S543-184 ② | Heater Access Cover Assembly | X | X |
| 20 | S543-185 ③ | Heater Access Cover Assembly | X | X |
| 21 | S123-127 | Drain Pan | X | X |
| 22 | 147-044 | Evaporator Support | X | X |
| 23 | 135-214 | Air Baffle | X | X |
| 24 | Control Panel Assembly | See Control Panel Assembly Drawing and Parts List | X | X |
| 25 | 113-140 | Bottom Mounting Bracket | X | X |
| 26 | 135X123 | Heat Shield | X | X |
| 28 | 137-259 | Fill Plate | X | X |
| 29 | 113-149-* ① | Top Rain Flashing | X | X |
| 29 | 113-360 ③ | Top Rain Flashing | X | X |
| 30 | S553-524-* ① | Filter Door | X | X |
| 30 | S553-554 ② | Filter Door | X | X |
| 30 | S553-553 ③ | Filter Door | X | X |
| 31 | S536X609 | Condenser Partition Block-Off Plate | X | X |
| 34 | 113-406 | Accumulator Bracket | X | X |
| 35 | 113-407 | Receiver Bracket | X | X |
| NS | 105-1302 | Grommet Retainer | X | X |

① Exterior cabinet parts are manufactured with various paint color options. To ensure the proper paint color is received, include the complete model and serial number of the unit for which cabinet parts are being ordered.

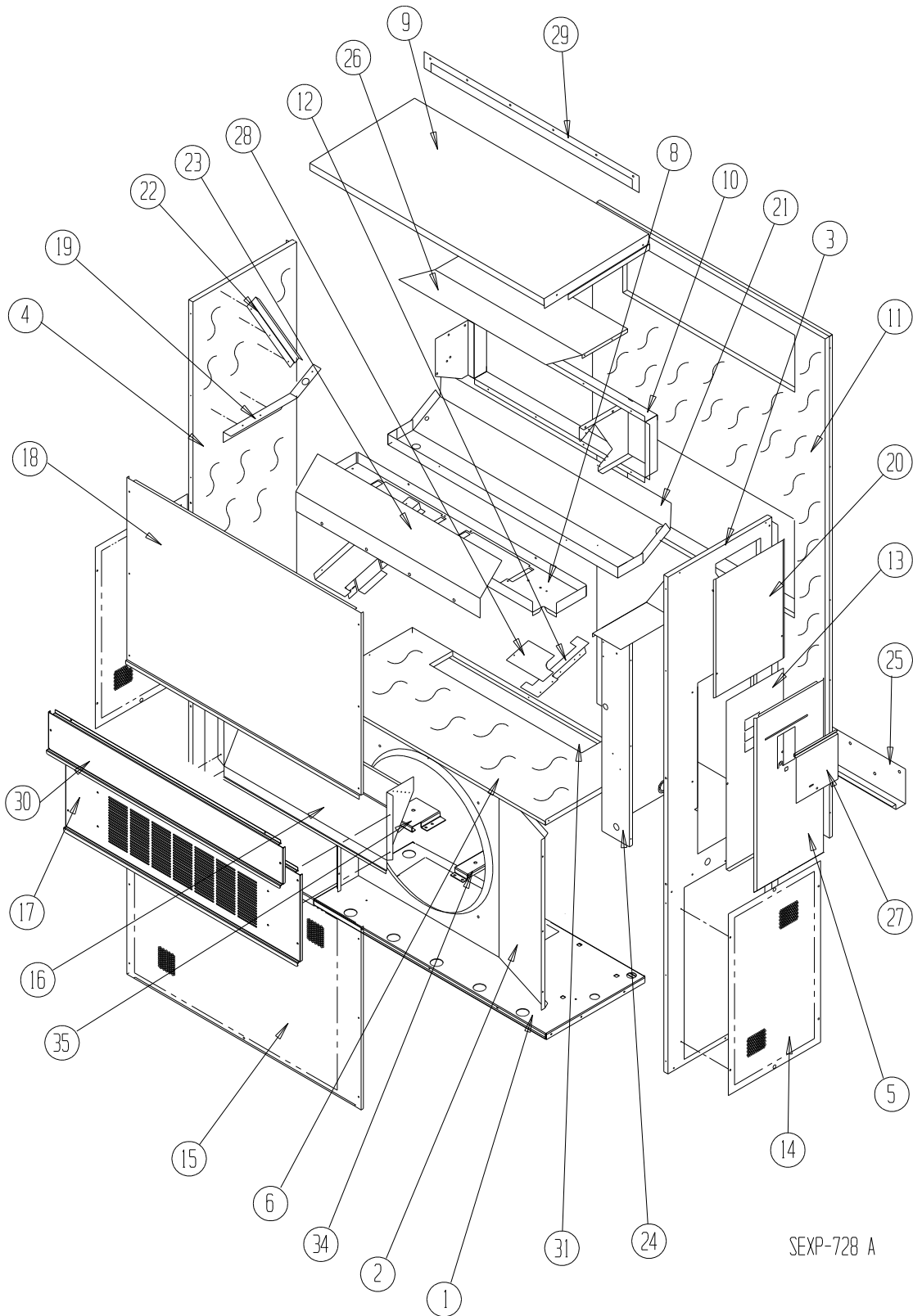
② Exterior cabinet parts are manufactured from aluminum Code "A"

③ Exterior cabinet parts are manufactured from stainless steel Code "S"

④ Exterior cabinet parts are used for both aluminum and stainless steel cabinets

NS – Not Shown

CABINET COMPONENTS - RIGHT (MODERATE DUTY DOOR)



SEXP-728 A

CABINET COMPONENTS – RIGHT (MODERATE DUTY DOOR)

| Drawing No. | Part No. | Description | W3RV2-R,S | W3RV2-T |
|-------------|------------------------|---|-----------|---------|
| 1 | S127-486 | Lower Base | X | X |
| 1 | S127-488 ③ | Lower Base | X | X |
| 2 | 125-022 | Fan Shroud | X | X |
| 2 | 125-057 ③ | Fan Shroud | X | X |
| 3 | S501-684-* ① | Right Side | X | X |
| 3 | S501-722 ② | Right Side | X | X |
| 3 | S501-720 ③ | Right Side | X | X |
| 4 | S501-711-* ① | Left Side | X | X |
| 4 | S501-723 ② | Left Side | X | X |
| 4 | S501-721 ③ | Left Side | X | X |
| 5 | S533-228-* ① | Control Panel Cover (Outer) | X | X |
| 5 | S533-236 ② | Control Panel Cover (Outer) | X | X |
| 5 | S533-235 ③ | Control Panel Cover (Outer) | X | X |
| 6 | S521X466 | Condenser Partition | X | X |
| 8 | 121X467 | Blower Partition | X | X |
| 9 | S507-308-* ① | Top | X | X |
| 9 | S507-320 ② | Top | X | X |
| 9 | S507-319 ③ | Top | X | X |
| 10 | S111X030 | Outlet Air Frame Assembly | X | X |
| 11 | S508-088 | Back | X | X |
| 11 | S508-290 ② | Back | X | X |
| 11 | S508-222 ③ | Back | X | X |
| 12 | 113X480 | Filter Bracket | 2 | 2 |
| 13 | S132-104 | Control Panel Cover (Inner) | X | |
| 13 | S132-208 | Control Panel Cover (Inner) | | X |
| 14 | 118-056-* ① | Side Grille | 2 | 2 |
| 14 | 118-060 ② | Side Grille | 2 | 2 |
| 14 | 118-067 ③ | Side Grille | 2 | 2 |
| 15 | 118-059-* ① | Condenser Grille | X | X |
| 15 | 118-061 ② | Condenser Grille | X | X |
| 15 | 118-066 ③ | Condenser Grille | X | X |
| 16 | BFAD-3 | Fresh Air Damper Assembly | X | X |
| 17 | S553-523-* ① | Vent Option Door | X | X |
| 17 | S553-550 ② | Vent Option Door | X | X |
| 17 | S553-549 ③ | Vent Option Door | X | X |
| 18 | S514-241-* ① | Upper Front | X | X |
| 18 | S514-239 ② | Upper Front | X | X |
| 18 | S514-238 ③ | Upper Front | X | X |
| 19 | 105X850 | Left Side Support | X | X |
| 20 | S543-175-* ① | Heater Access Cover Assembly | X | X |
| 20 | S543-184 ② | Heater Access Cover Assembly | X | X |
| 20 | S543-185 ③ | Heater Access Cover Assembly | X | X |
| 21 | S123-141 | Drain Pan | X | X |
| 22 | 147-044 | Evaporator Support | X | X |
| 23 | 135-214 | Air Baffle | X | X |
| 24 | Control Panel Assembly | See Control Panel Assembly Drawing and Parts List | X | X |
| 25 | 113-140 | Bottom Mounting Bracket | X | X |
| 26 | 135X123 | Heat Shield | X | X |
| 27 | S153-218-* ① | Disconnect Access Door | X | X |
| 27 | S153-387 ② | Disconnect Access Door | X | X |
| 27 | S153-405 ③ | Disconnect Access Door | X | X |
| 28 | 137-259 | Fill Plate | X | X |
| 29 | 113-149-* ① | Top Rain Flashing | X | X |
| 29 | 113-360 ③ | Top Rain Flashing | X | X |
| 30 | S553-524-* ① | Filter Door | X | X |
| 30 | S553-554 ② | Filter Door | X | X |
| 30 | S553-553 ③ | Filter Door | X | X |
| 31 | S536X609 | Condenser Partition Block-Off Plate | X | X |
| 34 | 113-406 | Accumulator Bracket | X | X |
| 35 | 113-407 | Receiver Bracket | X | X |
| NS | 105-1302 | Grommet Retainer | X | X |

① Exterior cabinet parts are manufactured with various paint color options. To ensure the proper paint color is received, include the complete model and serial number of the unit for which cabinet parts are being ordered.

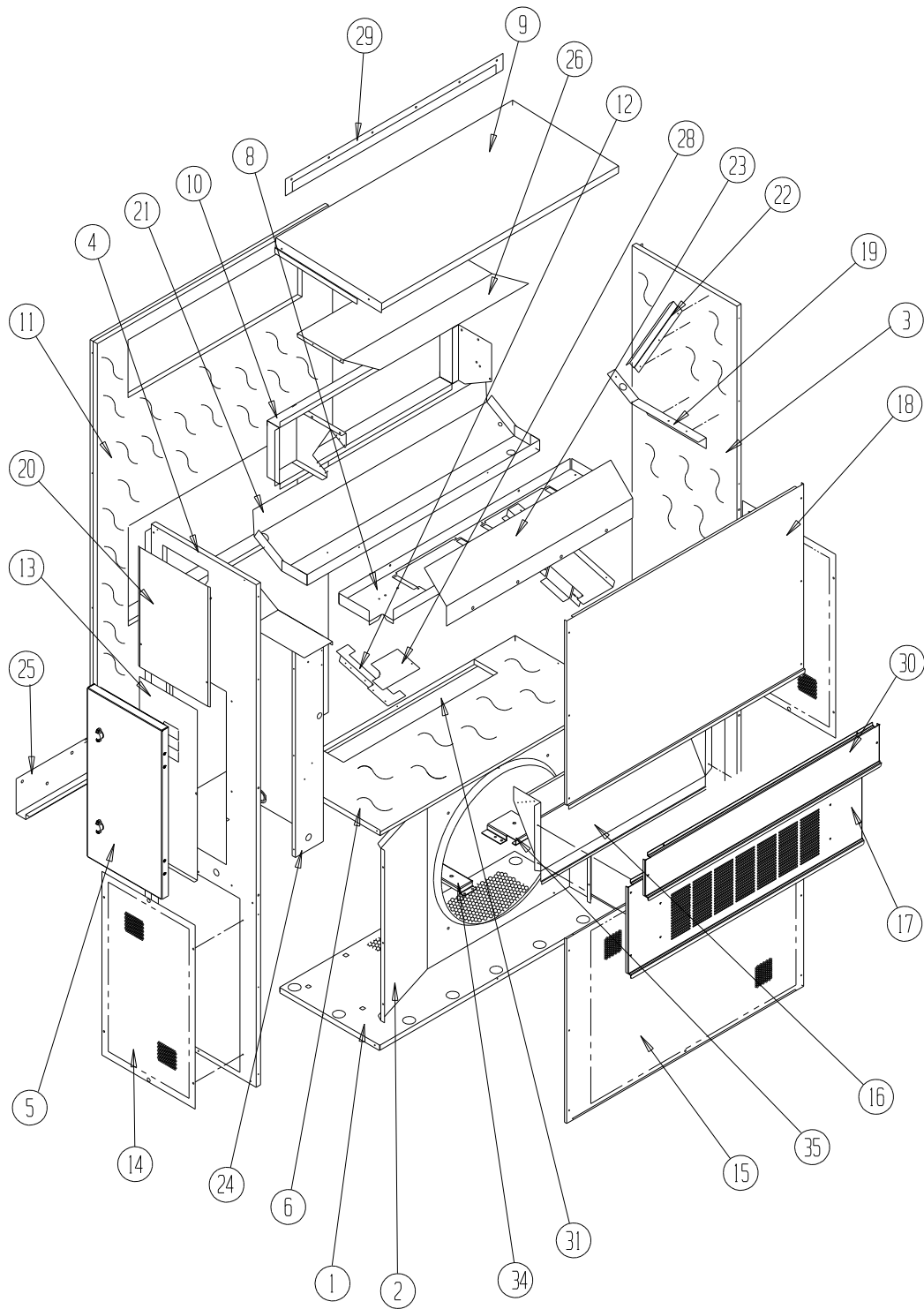
② Exterior cabinet parts are manufactured from aluminum Code "A"

③ Exterior cabinet parts are manufactured from stainless steel Code "S"

④ Exterior cabinet parts are used for both aluminum and stainless steel cabinets

NS – Not Shown

CABINET COMPONENTS - LEFT (EXTREME DUTY DOOR)



SEXP-729 A

CABINET COMPONENTS – LEFT (EXTREME DUTY DOOR)

| Drawing No. | Part No. | Description | W3LV2-R,S | W3LV2-T |
|-------------|------------------------|---|-----------|---------|
| 1 | S127-485 | Lower Base | X | X |
| 1 | S127-487 ③ | Lower Base | X | X |
| 2 | 125-022 | Fan Shroud | X | X |
| 2 | 125-057 ③ | Fan Shroud | X | X |
| 3 | S501-710-* ① | Right Side | X | X |
| 3 | S501-726 ② | Right Side | X | X |
| 3 | S501-724 ③ | Right Side | X | X |
| 4 | S501-836-* ① | Left Side | X | X |
| 4 | S501-838 ② | Left Side | X | X |
| 4 | S501-837 ③ | Left Side | X | X |
| 5 | DDD3L-* ① | Control Panel Cover (Outer) | X | X |
| 5 | DDD3L-S ④ | Control Panel Cover (Outer) | X | X |
| 6 | S521Y466 | Condenser Partition | X | X |
| 8 | 121Y467 | Blower Partition | X | X |
| 9 | S507-308-* ① | Top | X | X |
| 9 | S507-320 ② | Top | X | X |
| 9 | S507-319 ③ | Top | X | X |
| 10 | S111Y030 | Outlet Air Frame Assembly | X | X |
| 11 | S508-088 | Back | X | X |
| 11 | S508-290 ② | Back | X | X |
| 11 | S508-222 ③ | Back | X | X |
| 12 | 113Y480 | Filter Bracket | 2 | 2 |
| 13 | S132-104 | Control Panel Cover (Inner) | X | |
| 13 | S132-208 | Control Panel Cover (Inner) | | X |
| 14 | 118-056-* ① | Side Grille | 2 | 2 |
| 14 | 118-060 ② | Side Grille | 2 | 2 |
| 14 | 118-067 ③ | Side Grille | 2 | 2 |
| 15 | 118-047-* ① | Condenser Grille | X | X |
| 15 | 118-062 ② | Condenser Grille | X | X |
| 15 | 118-075 ③ | Condenser Grille | X | X |
| 16 | BFAD-3 | Fresh Air Damper Assembly | X | X |
| 17 | S553-523-* ① | Vent Option Door | X | X |
| 17 | S553-550 ② | Vent Option Door | X | X |
| 17 | S553-549 ③ | Vent Option Door | X | X |
| 18 | S514-241-* ① | Upper Front | X | X |
| 18 | S514-239 ② | Upper Front | X | X |
| 18 | S514-238 ③ | Upper Front | X | X |
| 19 | 105Y850 | Left Side Support | X | X |
| 20 | S543-175-* ① | Heater Access Cover Assembly | X | X |
| 20 | S543-184 ② | Heater Access Cover Assembly | X | X |
| 20 | S543-185 ③ | Heater Access Cover Assembly | X | X |
| 21 | S123-143 | Drain Pan | X | X |
| 22 | 147-044 | Evaporator Support | X | X |
| 23 | 135-297 | Air Baffle | X | X |
| 24 | Control Panel Assembly | See Control Panel Assembly Drawing and Parts List | X | X |
| 25 | 113-140 | Bottom Mounting Bracket | X | X |
| 26 | 135Y123 | Heat Shield | X | X |
| 28 | 137-259 | Fill Plate | X | X |
| 29 | 113-149-* ① | Top Rain Flashing | X | X |
| 29 | 113-360 ③ | Top Rain Flashing | X | X |
| 30 | S553-524-* ① | Filter Door | X | X |
| 30 | S553-554 ② | Filter Door | X | X |
| 30 | S553-553 ③ | Filter Door | X | X |
| 31 | S536Y609 | Condenser Partition Block-Off Plate | X | X |
| 34 | 113-406 | Accumulator Bracket | X | X |
| 35 | 113-407 | Receiver Bracket | X | X |
| NS | 105-1302 | Grommet Retainer | X | X |

① Exterior cabinet parts are manufactured with various paint color options. To ensure the proper paint color is received, include the complete model and serial number of the unit for which cabinet parts are being ordered.

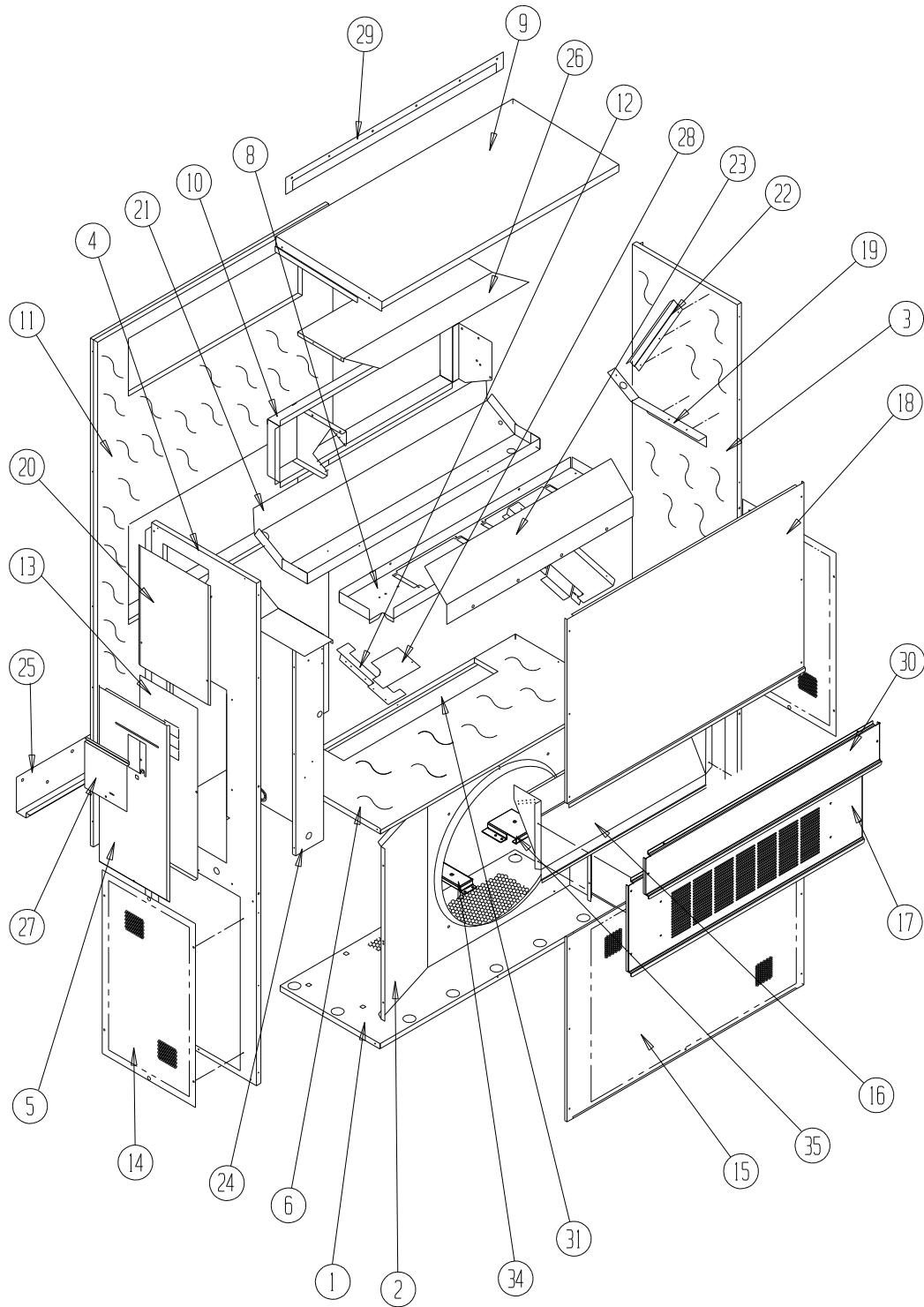
② Exterior cabinet parts are manufactured from aluminum Code "A"

③ Exterior cabinet parts are manufactured from stainless steel Code "S"

④ Exterior cabinet parts are used for both aluminum and stainless steel cabinets

NS – Not Shown

CABINET COMPONENTS - LEFT (MODERATE DUTY DOOR)



SEXP-730 A

CABINET COMPONENTS – LEFT (MODERATE DUTY DOOR)

| Drawing No. | Part No. | Description | W31V2-R,S | W31V2-T |
|-------------|------------------------|---|-----------|---------|
| 1 | S127-485 | Lower Base | X | X |
| 1 | S127-487 ③ | Lower Base | X | X |
| 2 | 125-022 | Fan Shroud | X | X |
| 2 | 125-057 ③ | Fan Shroud | X | X |
| 3 | S501-710-* ① | Right Side | X | X |
| 3 | S501-726 ② | Right Side | X | X |
| 3 | S501-724 ③ | Right Side | X | X |
| 4 | S501-836-* ① | Left Side | X | X |
| 4 | S501-727 ② | Left Side | X | X |
| 4 | S501-725 ③ | Left Side | X | X |
| 5 | S533-228-* ① | Control Panel Cover (Outer) | X | X |
| 5 | S533-236 ② | Control Panel Cover (Outer) | X | X |
| 5 | S533-235 ③ | Control Panel Cover (Outer) | X | X |
| 6 | S521Y466 | Condenser Partition | X | X |
| 8 | 121Y467 | Blower Partition | X | X |
| 9 | S507-308-* ① | Top | X | X |
| 9 | S507-320 ② | Top | X | X |
| 9 | S507-319 ③ | Top | X | X |
| 10 | S111Y030 | Outlet Air Frame Assembly | X | X |
| 11 | S508-088 | Back | X | X |
| 11 | S508-290 ② | Back | X | X |
| 11 | S508-222 ③ | Back | X | X |
| 12 | 113Y195 | Filter Bracket | 2 | 2 |
| 13 | S132-104 | Control Panel Cover (Inner) | X | |
| 13 | S132-208 | Control Panel Cover (Inner) | | X |
| 14 | 118-056-* ① | Side Grille | 2 | 2 |
| 14 | 118-060 ② | Side Grille | 2 | 2 |
| 14 | 118-067 ③ | Side Grille | 2 | 2 |
| 15 | 118-047-* ① | Condenser Grille | X | X |
| 15 | 118-062 ② | Condenser Grille | X | X |
| 15 | 118-075 ③ | Condenser Grille | X | X |
| 16 | BFAD-3 | Fresh Air Damper Assembly | X | X |
| 17 | S553-523-* ① | Vent Option Door | X | X |
| 17 | S553-550 ② | Vent Option Door | X | X |
| 17 | S553-549 ③ | Vent Option Door | X | X |
| 18 | S514-241-* ① | Upper Front | X | X |
| 18 | S514-239 ② | Upper Front | X | X |
| 18 | S514-238 ③ | Upper Front | X | X |
| 19 | 105Y850 | Left Side Support | X | X |
| 20 | S543-175-* ① | Heater Access Cover Assembly | X | X |
| 20 | S543-184 ② | Heater Access Cover Assembly | X | X |
| 20 | S543-127 ③ | Heater Access Cover Assembly | X | X |
| 21 | S123-143 | Drain Pan | X | X |
| 22 | 147-044 | Evaporator Support | X | X |
| 23 | 135-297 | Air Baffle | X | X |
| 24 | Control Panel Assembly | See Control Panel Assembly Drawing and Parts List | X | X |
| 25 | 113-140 | Bottom Mounting Bracket | X | X |
| 26 | 135Y123 | Heat Shield | X | X |
| 27 | S153-218-* ① | Disconnect Access Door | X | X |
| 27 | S153-387 ② | Disconnect Access Door | X | X |
| 27 | S153-405 ③ | Disconnect Access Door | X | X |
| 28 | 137-259 | Fill Plate | X | X |
| 29 | 113-149-* ① | Top Rain Flashing | X | X |
| 29 | 113-360 ③ | Top Rain Flashing | X | X |
| 30 | S553-524-* ① | Filter Door | X | X |
| 30 | S553-554 ② | Filter Door | X | X |
| 30 | S553-553 ③ | Filter Door | X | X |
| 31 | S536Y609 | Condenser Partition Block-Off Plate | X | X |
| 34 | 113-406 | Accumulator Bracket | X | X |
| 35 | 113-407 | Receiver Bracket | X | X |
| NS | 105-1302 | Grommet Retainer | X | X |

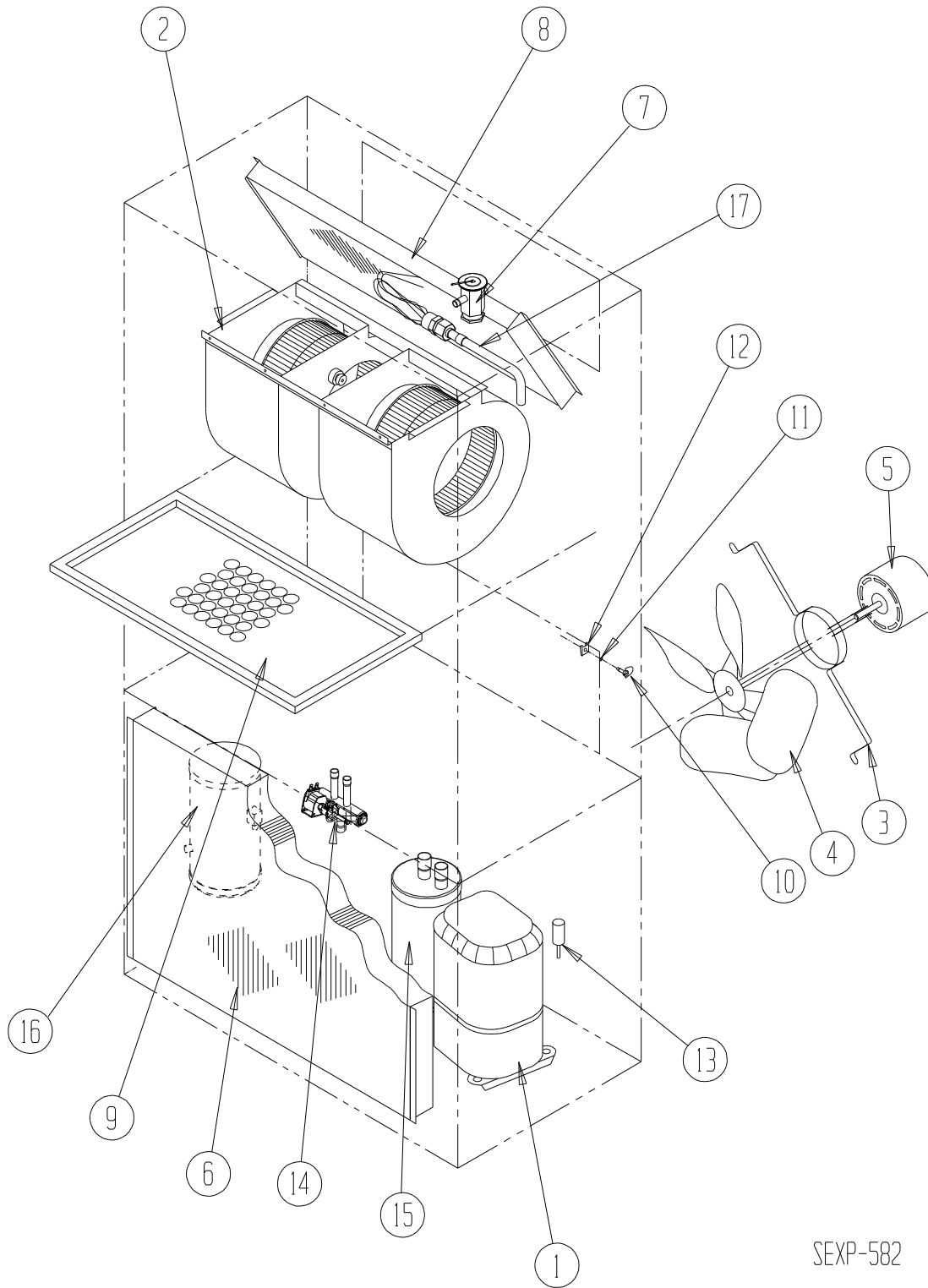
① Exterior cabinet parts are manufactured with various paint color options. To ensure the proper paint color is received, include the complete model and serial number of the unit for which cabinet parts are being ordered.

② Exterior cabinet parts are manufactured from aluminum Code "A"

③ Exterior cabinet parts are manufactured from stainless steel Code "S"

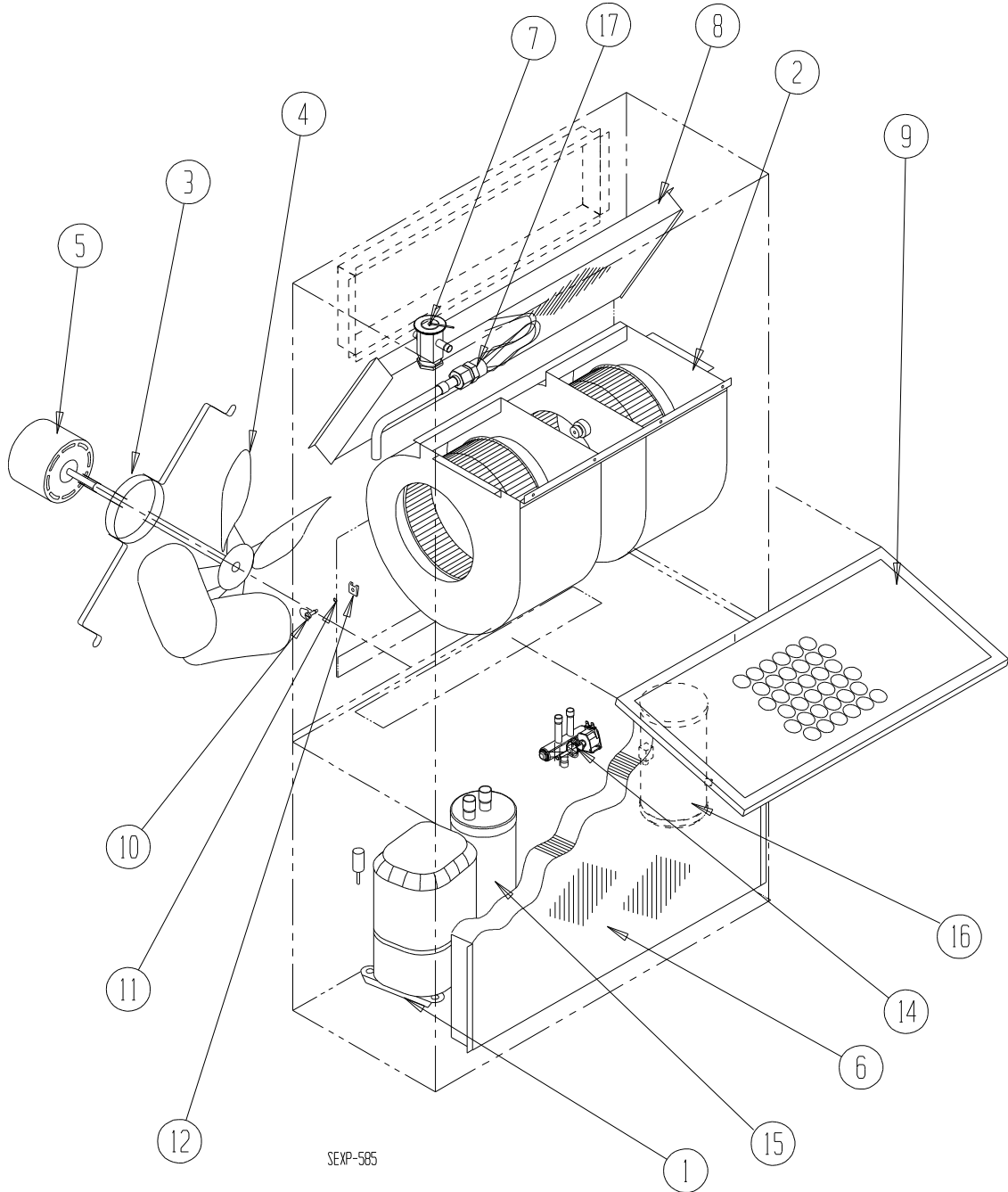
④ Exterior cabinet parts are used for both aluminum and stainless steel cabinets
NS – Not Shown

FUNCTIONAL COMPONENTS - RIGHT HAND



SEXP-582

FUNCTIONAL COMPONENTS - LEFT HAND



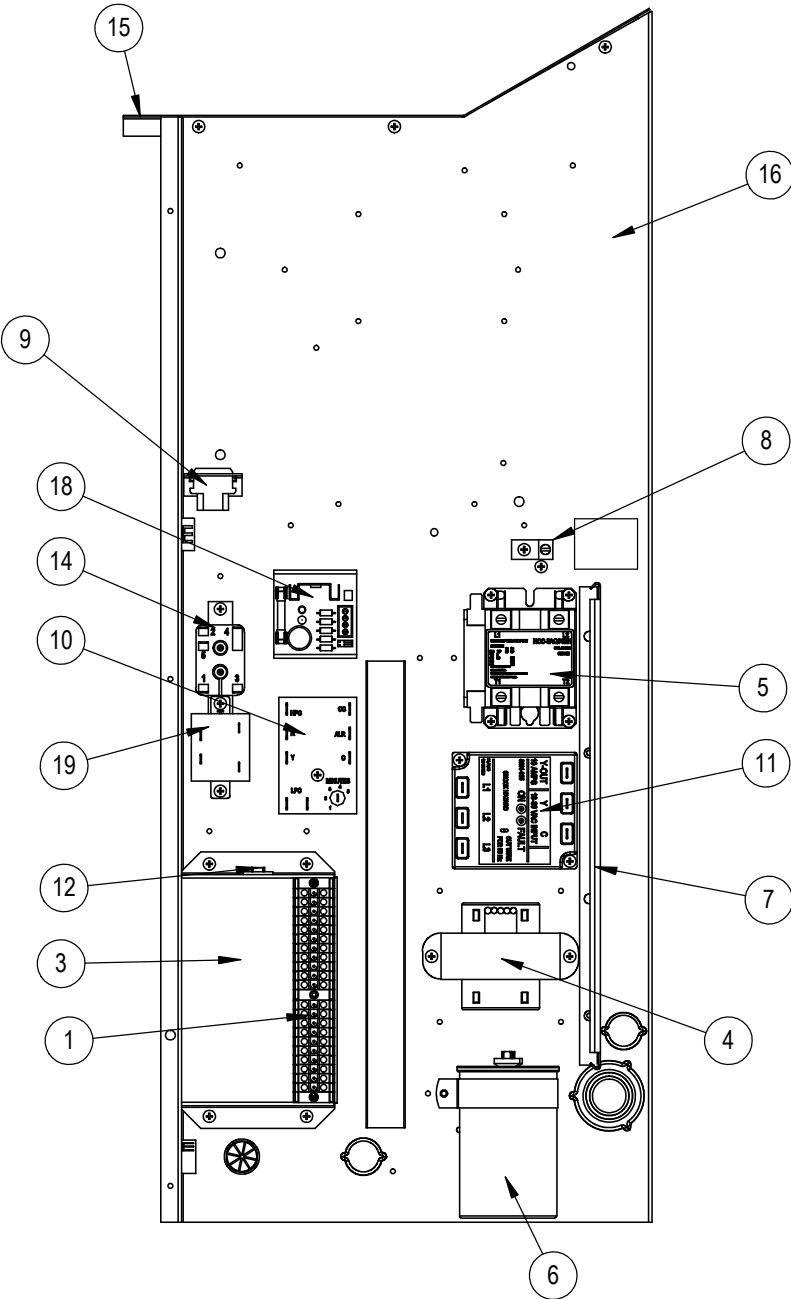
FUNCTIONAL COMPONENTS – RIGHT & LEFT HAND

| Drawing No. | Part No. | Description | W3RV2-R | W3RV2-S | W3RV2-T | W3LV2-R | W3LV2-S | W3LV2-T |
|-------------|----------------|--|---------|---------|---------|---------|---------|---------|
| 1 | 8000-355 | Compressor | X | | | X | | |
| 1 | 8000-356 | Compressor | | X | | | X | |
| 1 | 8000-357 | Compressor | | | X | | | X |
| 2 | S900-342-001 | Blower Assembly | X | X | | X | X | |
| 2 | S900-339-001 | Blower Assembly | | | X | | | X |
| 3 | 8200-001 | Fan Motor Mount | X | X | X | X | X | X |
| 4 | 5151-045 | Fan Blade | X | X | X | X | X | X |
| 5 | S8106-061-0126 | 1/2 HP ECM Motor with Programmed Control | X | X | | X | X | |
| 5 | S8106-060-0129 | 1/2 HP ECM Motor with Programmed Control | | | X | | | X |
| 6 | 5051-066BX | Condenser Coil | X | X | X | | | |
| 6 | 5051-089BX | Condenser Coil | | | | X | X | X |
| 7 | 5651-214 | Cooling TXV | X | X | X | X | X | X |
| 8 | 5060-064BX | Evaporator Coil | X | X | X | X | X | X |
| 9 | 7004-019 | Air Filter 1" Throw-Away | X | X | X | X | X | X |
| 9 | 7003-031 | Air Filter 1" Washable ① | X | X | X | X | X | X |
| 9 | 7004-026 | Air Filter 2" Pleated ① | X | X | X | X | X | X |
| 10 | 1171-022 | 1/4 Turn Fastener | X | X | X | X | X | X |
| 11 | 1171-024 | 1/4 Turn Retainer | X | X | X | X | X | X |
| 12 | 1171-023 | 1/4 Turn Receptacle | X | X | X | X | X | X |
| 13 | 1804-0462 | High Pressure Switch (Flare) | X | X | X | X | X | X |
| 13 | 1804-0107 | Low Pressure Switch (Flare) | X | X | X | X | X | X |
| 14 | 5650-049 | Solenoid Valve | X | X | X | X | X | X |
| 15 | 5202-022 | Accumulator | X | X | X | X | X | X |
| 16 | 5203-008 | Receiver | X | X | X | X | X | X |
| 17 | 800-0392 | Cooling Distributor Assembly | X | X | X | X | X | X |
| NS | 5201-001 | Filter Drier | X | X | X | X | X | X |
| NS | 8605-017 | Crankcase Heater | X | X | | X | X | |
| NS | 8605-018 | Crankcase Heate | | | X | | | X |
| NS | 8408-039 | Discharge Line Thermostat | X | X | X | X | X | X |
| NS | 8406-128 | Pressure Transducer | X | X | X | X | X | X |
| NS | 5451-024 | Tubing Grommet | 2 | 2 | 2 | 2 | 2 | 2 |

NS – Not Shown

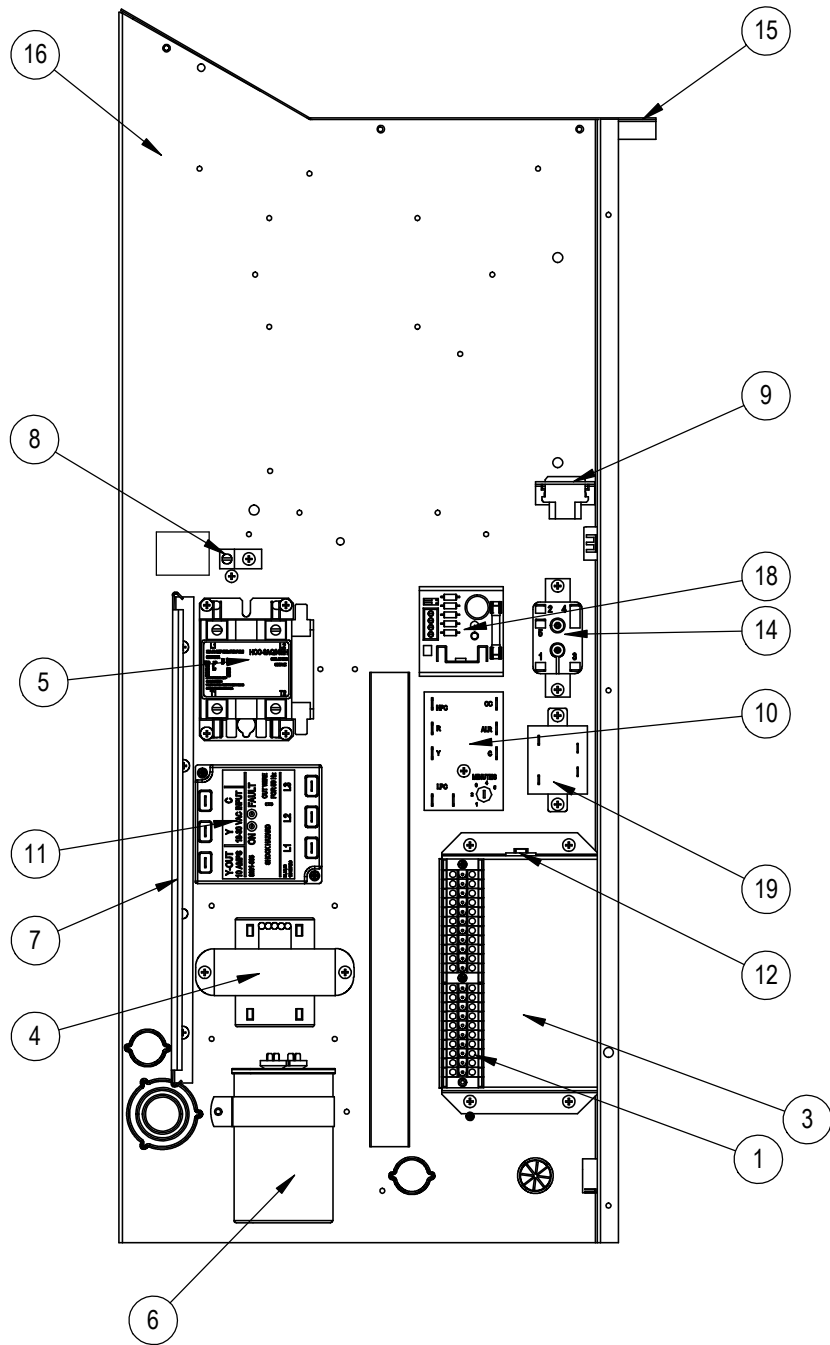
① – Optional

CONTROL PANEL - RIGHT HAND



SEXP-731 A

CONTROL PANEL - LEFT HAND



SEXP-732 A

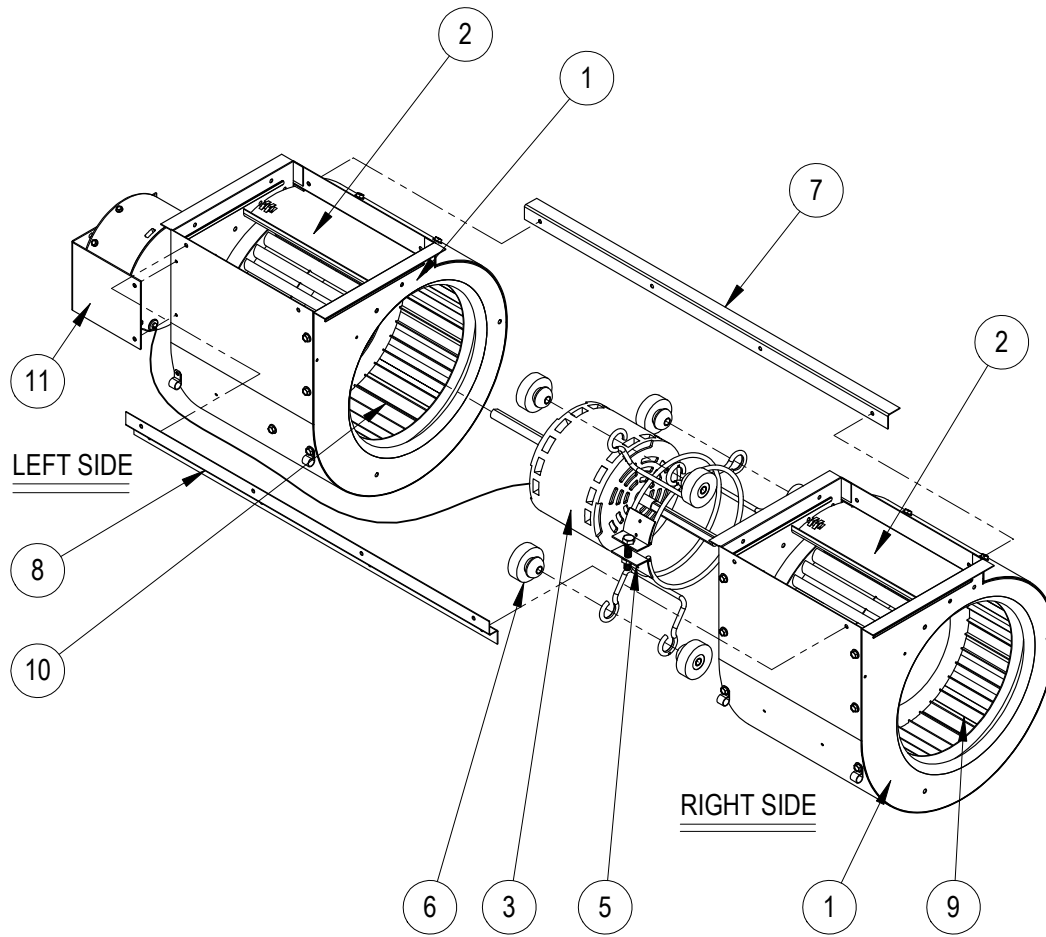
CONTROL PANEL – RIGHT & LEFT HAND

| Drawing No. | Part No. | Description | W3RV2-R | W3RV2-S | W3RV2-T | W3LV2-R | W3LV2-S | W3LV2-T |
|-------------|-----------|------------------------------------|---------|---------|---------|---------|---------|---------|
| 1 | 8607-036 | Low Voltage Terminal Strip | X | X | X | X | X | X |
| 3 | 117-350 | Low Voltage Box | X | X | X | X | X | X |
| 4 | 8407-061 | Transformer | X | X | | X | X | |
| 4 | 8407-062 | Transformer | | | X | | | X |
| 5 | 8401-038 | Compressor Contactor | X | | | X | | |
| 5 | 8401-037 | Compressor Contactor | | X | X | | X | X |
| 6 | 8552-092 | Compressor Capacitor | X | | | X | | |
| 7 | 135-122 | Wire Shield | X | X | X | X | X | X |
| 8 | 8611-006 | Ground Terminal | X | X | X | X | X | X |
| 9 | 3000-1463 | 6 Pin Connector | X | X | X | X | X | X |
| 10 | 8201-148 | Compressor Control Module | X | X | X | X | X | X |
| 11 | 8201-126 | Phase Monitor | | X | X | | X | X |
| 12 | 8614-054 | Circuit Breaker | X | X | X | X | X | X |
| 14 | 8201-062 | Alarm Relay | X | X | X | X | X | X |
| 15 | 117X137 | Control Panel Top | X | X | X | | | |
| 15 | 117Y137 | Control Panel Top | | | | X | X | X |
| 16 | 117X346 | Control Panel | X | X | X | | | |
| 16 | 117Y346 | Control Panel | | | | X | X | X |
| 18 | 8301-041 | 5VDC Supply | X | X | X | X | X | X |
| 19 | 8201-149 | Solid State Relay | X | X | X | X | X | X |
| NS | 8301-014 | Outdoor Air Sensor | X | X | X | X | X | X |
| NS | 8403-066 | Thermostat Controller | X | X | X | X | X | X |
| NS | 8615-038 | Circuit Breaker 35A 2 Pole (Opt) ① | X | | | X | | |
| NS | 8615-052 | Circuit Breaker 30A 3 Pole (Opt) ① | | X | | | X | |
| NS | 8615-068 | Toggle Disconnect (Optional) | | | X | | | X |
| NS | 3000-1360 | Pressure Transducer Harness | X | X | X | X | X | X |
| NS | 3000-1276 | Compressor Harness | X | | | X | | |
| NS | 3000-1244 | Compressor Harness | | X | X | | X | X |
| NS | 4095-175 | Wiring Diagram | X | | | X | | |
| NS | 4095-275 | Wiring Diagram | | X | | | X | |
| NS | 4095-375 | Wiring Diagram | | | X | | | X |

NS – Not Shown

- ① Circuit breakers listed are for units without electric heat "OZ" models.
See Heater Replacement Parts Manual for units with electric heat.

BLOWER ASSEMBLY



SEXP-583 A

| Drawing No. | Part No. | Description | 900-339-001 | 900-342-001 |
|-------------|----------------|----------------------------|-------------|-------------|
| | | | | |
| 1 | 151-111 | Blower Housing | 2 | 2 |
| 2 | 144-174 | Diffuser | 2 | 2 |
| 3 | S8106-060-0129 | Programmed Motor w/Control | X | |
| 3 | S8106-059-0128 | Programmed Motor w/Control | | X |
| 5 | 8200-031 | Motor Mount | X | X |
| 6 | 5451-011 | Grommets | 6 | 6 |
| 7 | 105-870 | Back Brace | X | X |
| 8 | 103-401 | Front Brace | X | X |
| 9 | 5152-090 | Wheel (CW) | X | X |
| 10 | 5152-091 | Wheel (CCW) | X | X |
| 11 | 113-637 | Blower Motor Control Mount | X | |