
REPLACEMENT PARTS MANUAL

WALL-MOUNTED PACKAGE AIR CONDITIONER

Model:
W12AAA

General Notes

- Revised and/or additional pages may be issued from time to time.
- A complete and current manual consists of pages shown in the following contents section.

Important

- Contact the installing and/or local Bard distributor for all parts requirements. Make sure you have the complete model and serial number available from the unit rating plates.

Contents

Description	Page
Cabinet Components	
♦ Exploded View	2
♦ Usage List	3
Functional Components	
♦ Exploded View	4
♦ Usage List	5
Control Panel (Circuit Breaker Option)	
♦ Exploded View	5
♦ Usage List	7
Blower Assembly	
♦ Exploded View	8
♦ Usage List	8

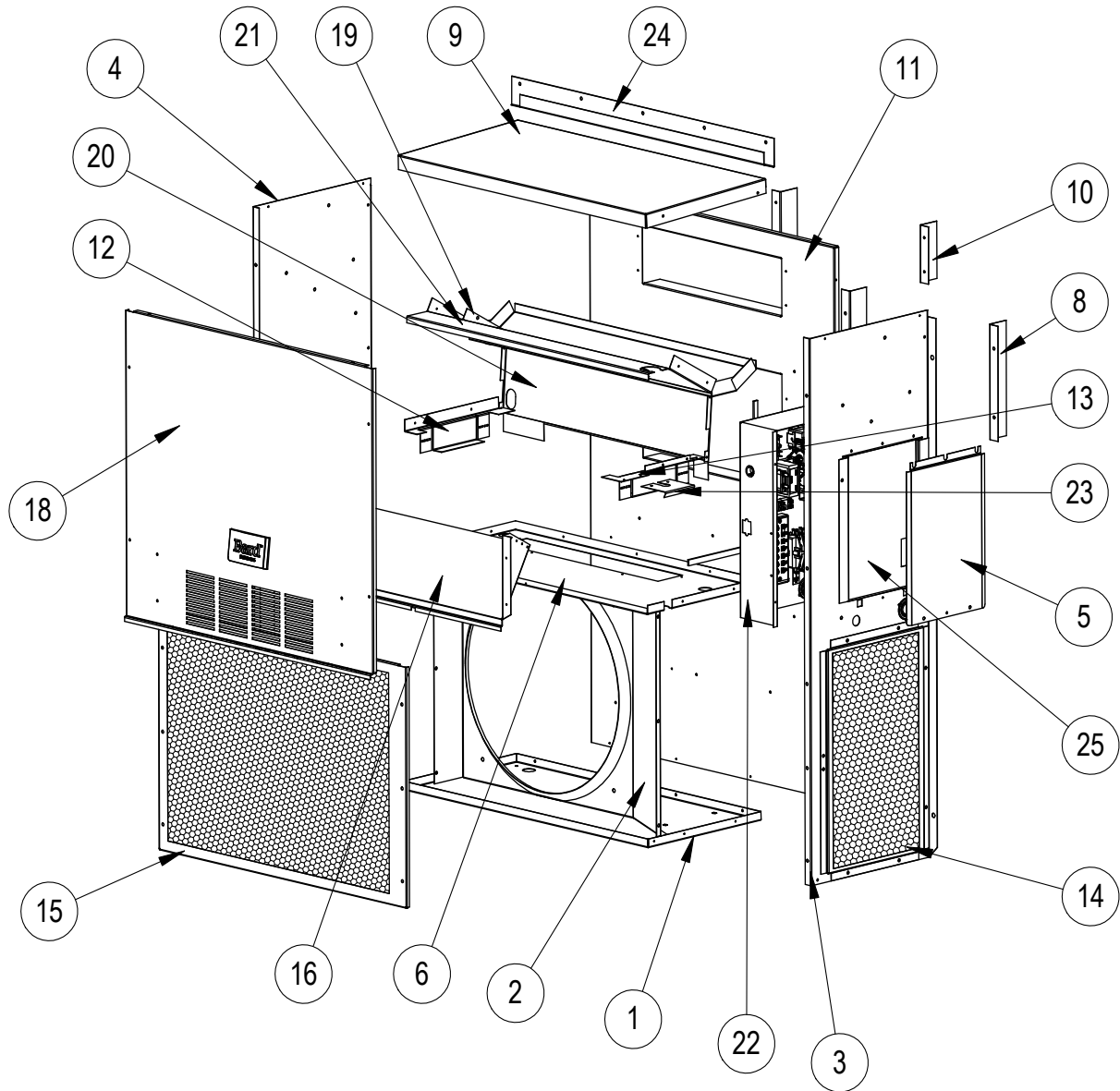


Climate Control Solutions

Bard Manufacturing Company, Inc.
Bryan, Ohio 43506
www.bardhvac.com

Manual: 2110-1419C
Supersedes: 2110-1419B
File: Tab 16
Date: 10-02-14

CABINET COMPONENTS



SEXP-724

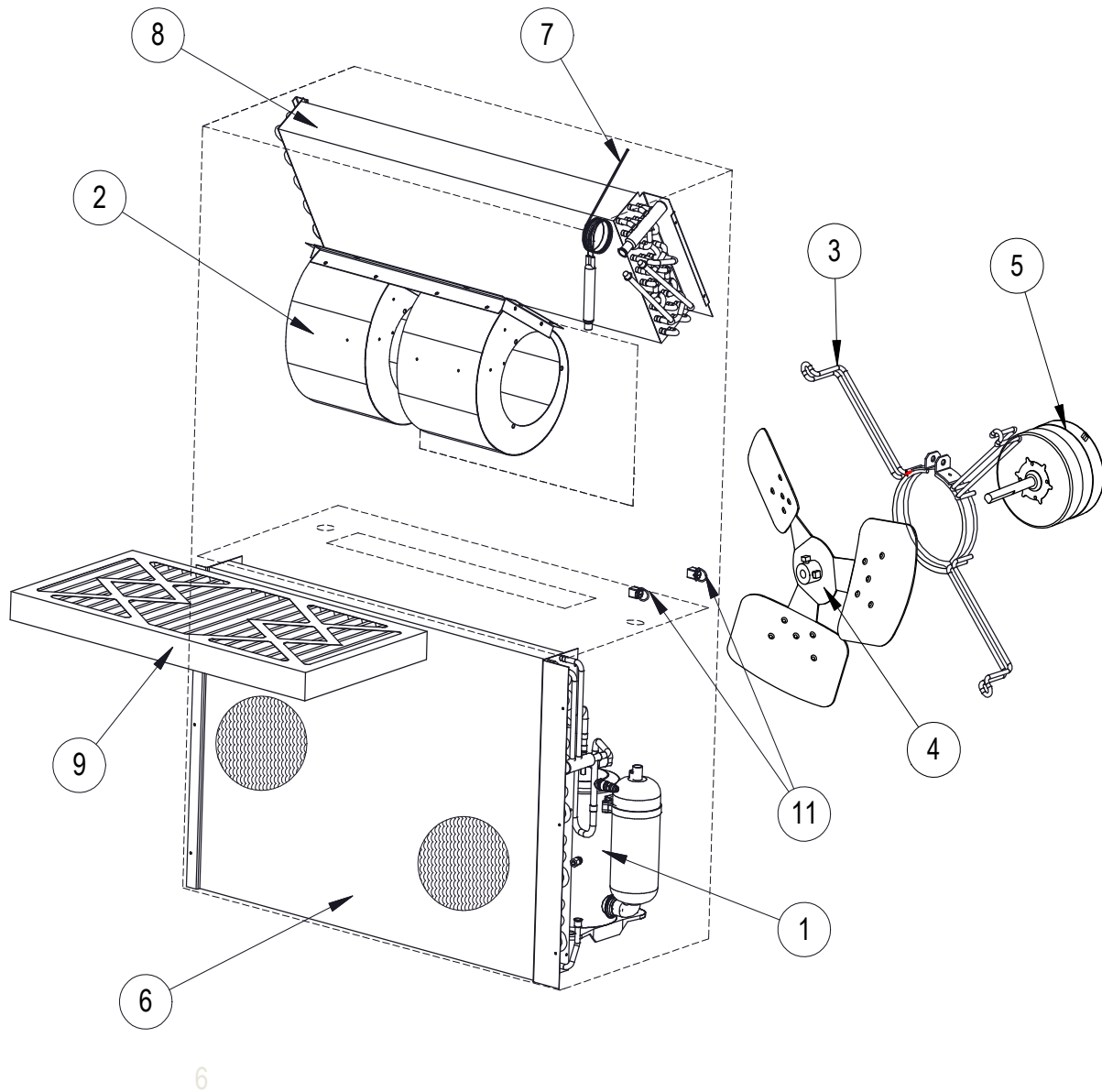
CABINET COMPONENTS

Drawing No.	Part No.	Description	W12AAAA W12AAAD W12AAAK
1	S127-491	Lower Base	X
2	125-071	Fan Shroud	X
3	S501-867-* ①	Right Side	X
3	S501-901-* ①②	Right Side	X
4	S501-868-* ①	Left Side	X
4	S501-902-* ①②	Left Side	X
5	S133-264-* ①	Control Panel Cover (Outer)	X
6	520-243	Condenser Partition	X
6	520-525 ②	Condenser Partition	X
8	111-214	Return Air Frame Angle	2
9	506-148-* ①	Top	X
9	506-361-* ①②	Top	X
10	111-036	Outlet Air Frame Angle	2
11	509-325	Back	X
11	509-333 ②	Back	X
12	113-529	Left Filter Bracket	X
13	113-532	Right Filter Bracket	X
14	118-095-* ①	Side Grille	2
15	118-096-* ①	Condenser Grille	X
16	BFAD-1	Fresh Air Damper Assembly	X
18	S514-295-* ①	Upper Front	X
18	S514-299-* ①②	Upper Front	X
19	113-176	Heater Bracket	X
20	121-504	Return Partition	X
21	S121-505	Drain Pan	X
22	Control Panel Assembly	See Control Panel Assembly Drawing and Parts List	X
23	135-138	Fill Plate	X
24	113-178-* ①	Top Rain Flashing	X
25	133-263-* ①	Control Panel Cover (Inner)	X
26	110-214	Return Flange	X

① Exterior cabinet parts are manufactured with various paint color options. To ensure the proper paint color is received, include the complete model and serial number of the unit for which cabinet parts are being ordered.

② Nonfiberglass insulation option

FUNCTIONAL COMPONENTS



SEXP-725

FUNCTIONAL COMPONENTS

Drawing No.	Part No.	Description	W12AAAA	W12AAAK	W12AAAD
1	8000-406	Compressor	X		
1	8000-407	Compressor		X	
1	8000-408	Compressor			X
2	900-343	Blower Assembly 240V	X		X
2	900-344	Blower Assembly 115V		X	
3	8200-001	Fan Motor Mount	X	X	X
4	5151-059	Fan Blade	X	X	X
5	8101-026	Condenser Motor 240V	X		X
5	8101-027	Condenser Motor 115V		X	
6	5051-194BX	Condenser Coil	X	X	X
7	800-0442	Cooling Capillary Assembly	X		X
7	800-0443	Cooling Capillary Assembly		X	
8	5060-193BX	Evaporator Coil	X	X	X
9	7003-073	Air Filter 1" Washable	X	X	X
9	7004-056	Air Filter 1" Throw Away	X	X	X
9	7004-057	Air Filter 2" Pleated ①	X	X	X
11	1171-066	#82 1/4 Turn Fastener	X	X	X
11	1171-065	#82 Receptacle	X	X	X
11	1171-064	Retainer Clip	X	X	X
NS	1804-0327	High Pressure Switch Service Kit (Flare)	X	X	X
NS	1804-0386	Low Pressure Switch Service Kit (Flare)	X	X	X
NS	CMA-28	Low Ambient Control Service Kit (Flare) ①	X	X	X
NS	8402-185	Compressor Overload	X		
NS	8402-186	Compressor Overload		X	
NS	8402-187	Compressor Overload			X
NS	5201-021	Filter Drier	X	X	X

NS – Not Shown

① – Optional on these models

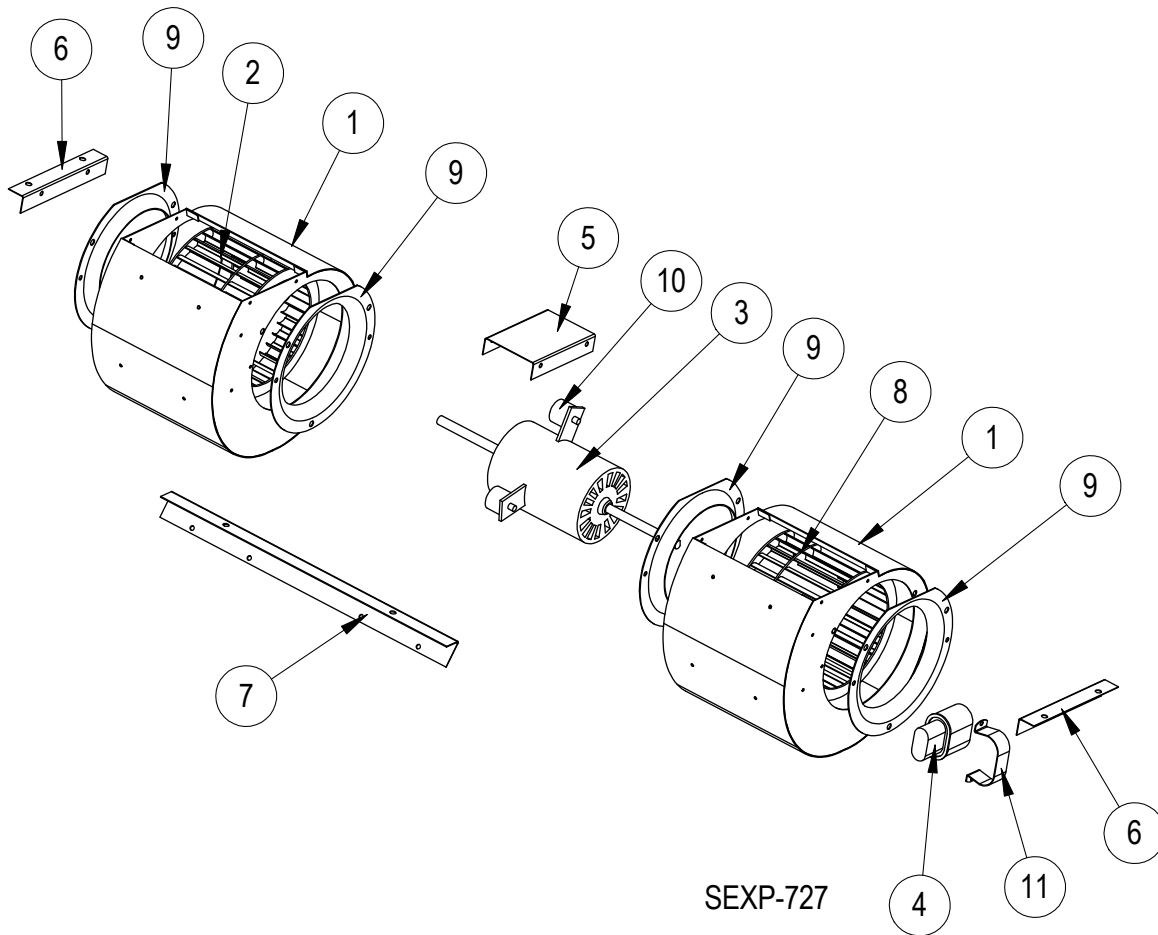
CONTROL PANEL (CIRCUIT BREAKER OPTION)

Drawing No.	Part No.	Description	W12AAA0Z	W12AAA03	W12AAA05	W12AAAK00	W12AAAK02	W12AAD0Z	W12AAD03
1	8607-024	Low Voltage Terminal Strip	X	X	X	X	X	X	X
2	8615-060	Circuit Breaker 15A 2 pole 240V	X					X	
2	8615-035	Circuit Breaker 20A 2 pole 240V		X					X
2	8615-037	Circuit Breaker 30A 2 pole 240V			X				
3	8201-009	Blower Control Relay	X	X	X	X	X	X	X
4	8407-034	Transformer	X	X	X			X	X
4	8407-045	Transformer				X	X		
5	8401-033	Compressor Contactor	X	X	X	X	X	X	X
6	8552-050	Compressor Capacitor	X	X	X				
6	8552-062	Compressor Capacitor				X	X		
6	8552-049	Compressor Capacitor						X	X
7	8401-006	Heat Contactor		X	X		X		X
8	8611-006	Ground Terminal	X	X	X	X	X	X	X
9	8402-093	Thermal Cut Off		X	X		X		X
10	8201-088	Compressor Control Module	X	X	X	X	X	X	X
13	8201-062	Alarm Relay ①	X	X	X	X	X	X	X
13	8607-017	Terminal Block ① (Shown)	X	X	X	X	X	X	X
14	8402-084	Limit		X	X		X		X
15	117-355	Control Panel	X	X	X	X	X	X	X
16	8604-142	Heat Strip 3.6KW		X					X
16	8604-143	Heat Strip 5.0KW			X				
16	8604-141	Heat Strip 2.2KW					X		
NS	4095-177	Wiring Diagram		X	X				X
NS	4095-176	Wiring Diagram	X					X	
NS	4095-178	Wiring Diagram				X			
NS	4095-179	Wiring Diagram					X		

NS – Not Shown

① – Optional on these models

BLOWER ASSEMBLY



SEXP-727

Drawing No.	Part No.	Description	900-343	900-344
1	151-114	Blower Housing *	X	X
2	5152-085	Wheel (CCW) Left	X	X
3	8101-028	Blower Motor (230/208)	X	
3	8101-029	Blower Motor (115)		X
4	8552-001	Capacitor 4MFD	X	
4	8552-002	Capacitor 5MFD		X
5	141-429	Center Blower Support	X	X
6	105-908	Side Angle	2	2
7	105-1355	Front Brace	X	X
8	5152-084	Wheel (CW) Right	X	X
9	144-180	Inlet Ring	4	4
10	5451-018	Mounting Grommet	3	3
11	8550-003	Capacitor Bracket	4	4

* Note: Replace with new rings.