
REPLACEMENT PARTS MANUAL

WALL-MOUNTED SASO 2663 CERTIFIED AIR CONDITIONER

Models:

K36L2-N K48L2-N K60L2-N

General Notes

- Revised and/or additional pages may be issued from time to time.
- A complete and current manual consists of pages shown in the following contents section.

Important

- Contact the installing and/or local Bard distributor for all parts requirements. Make sure to have the complete model and serial number available from the unit rating plates.

Contents

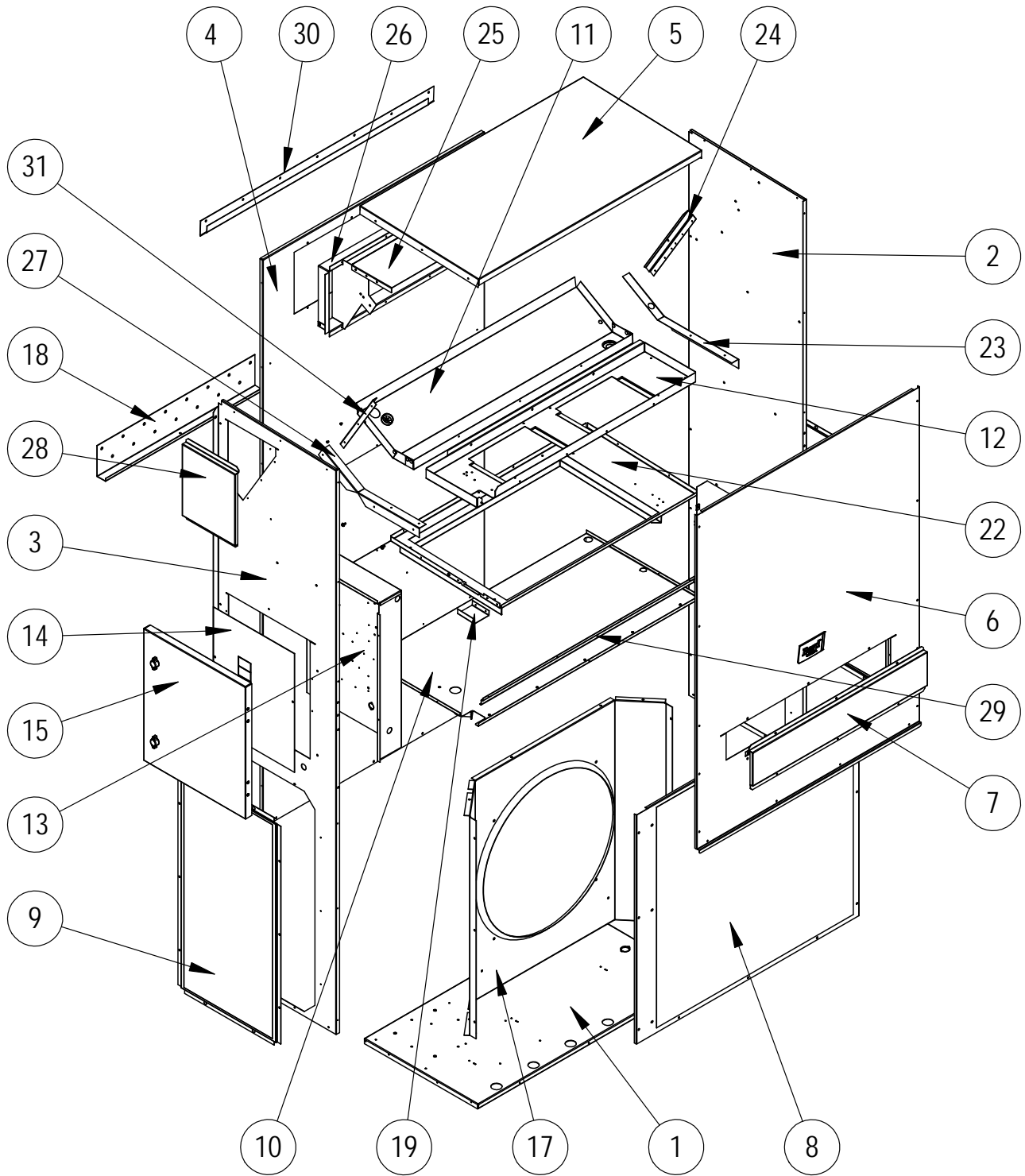
<u>Description</u>	<u>Page</u>
Cabinet Components (Extreme Duty Door)	
♦ Exploded View	2
♦ Usage List	3
Cabinet Components (Moderate Duty Door)	
♦ Exploded View	4
♦ Usage List	5
Functional Components	
♦ Exploded View	6
♦ Usage List	7
Control Panel	
♦ Exploded View	8
♦ Usage List	9
Blower Assembly	
♦ Exploded View	10
♦ Usage List	10



Bard Manufacturing Company, Inc.
Bryan, Ohio 43506
www.bardhvac.com

Manual: 2110-1420A
Supersedes: 2110-1420
Date: 10-23-19

CABINET COMPONENTS - STANDARD EXTREME DUTY DOOR



SEXP-762

CABINET COMPONENTS – STANDARD EXTREME DUTY DOOR

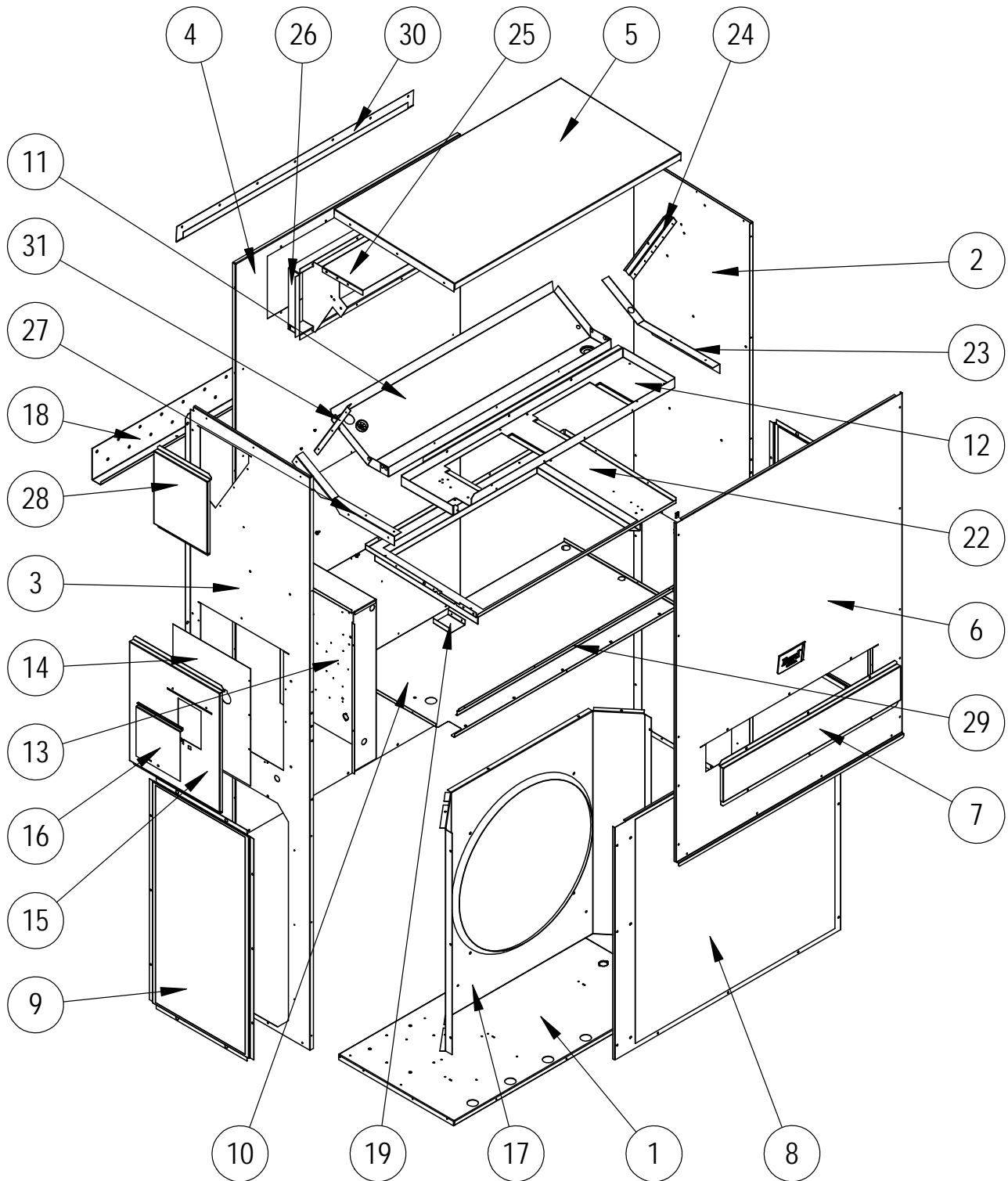
Drawing No.	Part No.	Description	K36L2	K48L2	K60L2
1	127-509	Lower Base	X		
1	127-512 ②	Lower Base	X		
1	127-428	Lower Base		X	X
1	127-436 ②	Lower Base		X	X
2	S501-687-* ①	Right Side	X		
2	S501-715 ②	Right Side	X		
2	S501-912-* ①	Right Side		X	X
2	S501-918 ②	Right Side		X	X
3	S501-856-* ①	Left Side	X		
3	S501-857 ②	Left Side	X		
3	S501-911-* ①	Left Side		X	X
3	S501-919 ②	Left Side		X	X
4	S508-098	Back Assembly	X		
4	S508-221 ②	Back Assembly	X		
4	S509-251	Back Assembly		X	X
4	S509-253 ②	Back Assembly		X	X
5	S507-307-* ①	Top	X	X	X
5	S507-310 ②	Top	X	X	X
6	S553-648-* ①	Front Service Panel	X		
6	S553-652 ②	Front Service Panel	X		
6	S553-650-* ①	Front Service Panel		X	X
6	S553-653 ②	Front Service Panel		X	X
7	S543-192-* ①	Filter Access Cover	X	X	X
7	S543-197 ②	Filter Access Cover	X	X	X
8	118-049-* ①	Front Condenser Grille	X		
8	118-074 ②	Front Condenser Grille	X		
8	118-094-* ①	Front Condenser Grille		X	X
8	118-099 ②	Front Condenser Grille		X	X
9	118-057-* ①	Side Inlet Grille	X		
9	118-073 ②	Side Inlet Grille	X		
9	118-086-* ①	Side Inlet Grille		X	X
9	118-090 ②	Side Inlet Grille		X	X
10	S521Y522	Condenser Partition	X	X	X
11	S123-145	Evaporator Drain Pan	X	X	X
11	S123-150 ②	Evaporator Drain Pan	X	X	X
12	121Y463	Left Hand Blower Partition	X	X	X
13	517Y365	Control Panel Wrapper	X		
13	517Y367	Control Panel Wrapper		X	X
14	132-171	Inner Control Panel Cover	X	X	X
15	DDD5L-*	Exterior Control Panel Cover	X	X	X
17	125-069	Fan Shroud	X		
17	125-078 ②	Fan Shroud	X		
17	125-070	Fan Shroud		X	X
17	125-079 ②	Fan Shroud		X	X
18	113-140	Bottom Support Mounting Bracket	X	X	X
19	137-209	Filter Fill Plate	X	X	X
22	131Y164	Filter Tray	X	X	X
NS	131-165	Filter Tray Angle	X	X	X
23	105Y877	Right Upper Support Angle	X	X	X
24	147-046	Coil Mount Offset Angle	X	X	X
25	135-129	Heat Shield	X	X	X
26	111Y034	Supply Air Duct Flange	X	X	X
27	105Y878	Left Upper Support Angle	X	X	X
28	S543-172-* ①	Heater Access Cover	X	X	X
28	S543-177 ②	Heater Access Cover	X	X	X
29	113Y579	Front Door Securement Angle	X	X	X
30	113-150-* ①	Rain Flashing	X	X	X
30	113-359 ②	Rain Flashing	X	X	X

① Exterior cabinet parts are manufactured with various paint color options. To ensure the proper paint color is received, include the complete model and serial number of the unit for which cabinet parts are being ordered.

② Exterior cabinet parts are manufactured from stainless steel Code "S"

NS – Not Shown

CABINET COMPONENTS - OPTIONAL MODERATE DUTY DOOR



SEXP-764

CABINET COMPONENTS – OPTIONAL MODERATE DUTY DOOR

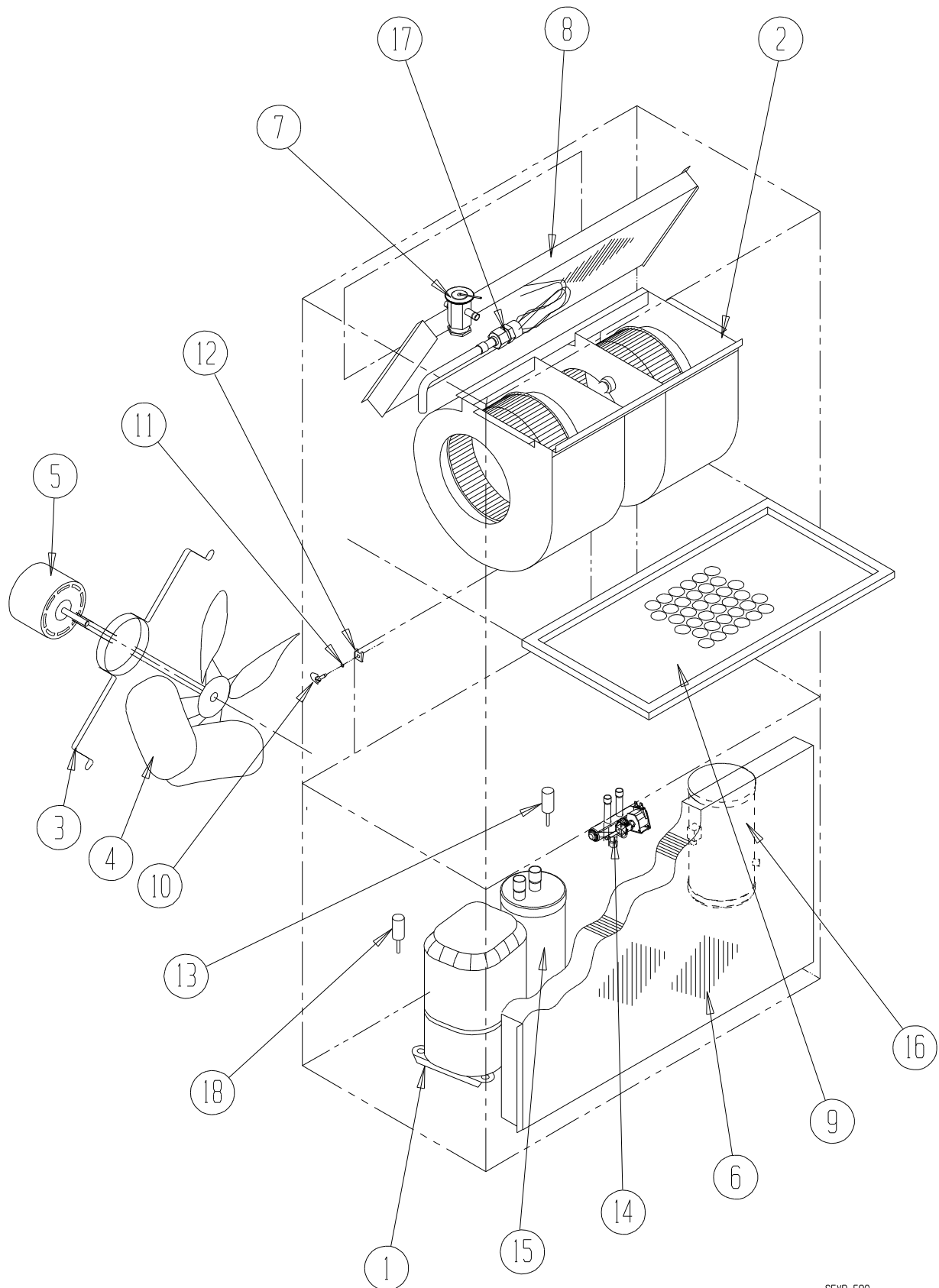
Drawing No.	Part No.	Description	K36L2	K48L2	K60L2
1	127-509	Lower Base	X		
1	127-512 ②	Lower Base	X		
1	127-428	Lower Base		X	X
1	127-436 ②	Lower Base		X	X
2	S501-687-* ①	Right Side	X		
2	S501-715 ②	Right Side	X		
2	S501-912-* ①	Right Side		X	X
2	S501-918 ②	Right Side		X	X
3	S501-680-* ①	Left Side	X		
3	S501-716 ②	Left Side	X		
3	S501-910-* ①	Left Side		X	X
3	S501-920 ②	Left Side		X	X
4	S508-098	Back Assembly	X		
4	S508-221 ②	Back Assembly	X		
4	S509-251	Back Assembly		X	X
4	S509-253 ②	Back Assembly		X	X
5	S507-307-* ①	Top	X	X	X
5	S507-310 ②	Top	X	X	X
6	S553-648-* ①	Front Service Panel	X		
6	S553-652 ②	Front Service Panel	X		
6	S553-650-* ①	Front Service Panel		X	X
6	S553-653 ②	Front Service Panel		X	X
7	S543-192-* ①	Filter Access Cover	X	X	X
7	S543-197 ②	Filter Access Cover	X	X	X
8	118-049-* ①	Front Condenser Grille	X		
8	118-074 ②	Front Condenser Grille	X		
8	118-094-* ①	Front Condenser Grille		X	X
8	118-099 ②	Front Condenser Grille		X	X
9	118-057-* ①	Side Inlet Grille	X		
9	118-073 ②	Side Inlet Grille	X		
9	118-086-* ①	Side Inlet Grille		X	X
9	118-090 ②	Side Inlet Grille		X	X
10	S521Y522	Condenser Partition	X	X	X
11	S123-145	Evaporator Drain Pan	X	X	X
11	S123-150 ②	Evaporator Drain Pan	X	X	X
12	121Y463	Left Hand Blower Partition	X	X	X
13	517Y365	Control Panel Wrapper	X		
13	517Y367	Control Panel Wrapper		X	X
14	132-171	Inner Control Panel Cover	X	X	X
15	S533-227-* ①	Exterior Control Panel Cover	X	X	X
15	S533-233 ②	Exterior Control Panel Cover	X	X	X
17	125-069	Fan Shroud	X		
17	125-078 ②	Fan Shroud	X		
17	125-070	Fan Shroud		X	X
17	125-079 ②	Fan Shroud		X	X
18	113-140	Bottom Support Mounting Bracket	X	X	X
19	137-209	Filter Fill Plate	X	X	X
22	131Y164	Filter Tray	X	X	X
NS	131-165	Filter Tray Angle	X	X	X
23	105Y877	Right Upper Support Angle	X	X	X
24	147-046	Coil Mount Offset Angle	X	X	X
25	135-129	Heat Shield	X	X	X
26	111Y034	Supply Air Duct Flange	X	X	X
27	105Y878	Left Upper Support Angle	X	X	X
28	S543-172-* ①	Heater Access Cover	X	X	X
28	S543-177 ②	Heater Access Cover	X	X	X
29	113Y579	Front Door Securement Angle	X	X	X
30	113-150-* ①	Rain Flashing	X	X	X
30	113-359 ②	Rain Flashing	X	X	X

① Exterior cabinet parts are manufactured with various paint color options. To ensure the proper paint color is received, include the complete model and serial number of the unit for which cabinet parts are being ordered.

② Exterior cabinet parts are manufactured from stainless steel Code "S"

NS – Not Shown

FUNCTIONAL COMPONENTS



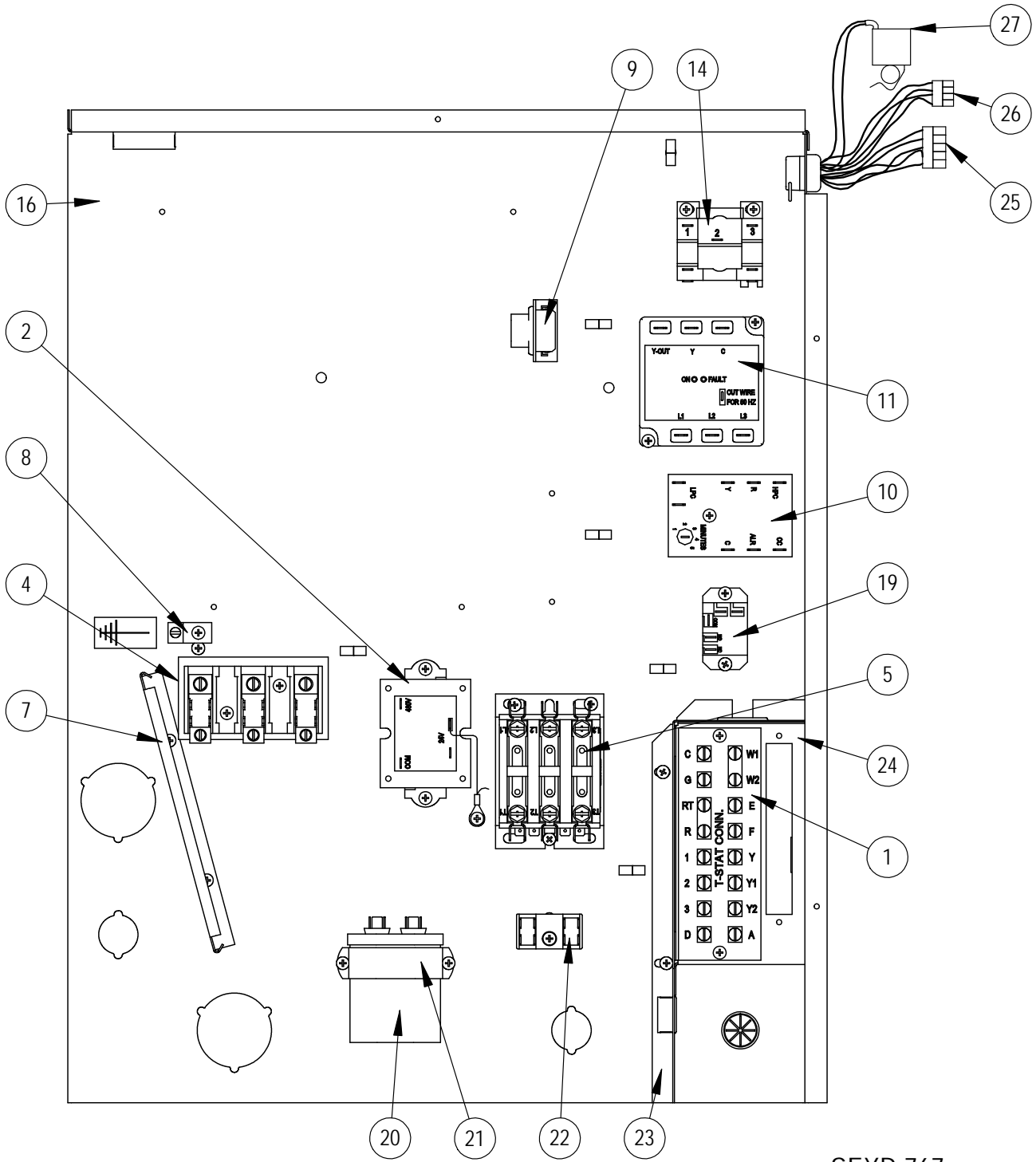
SEXP-590

FUNCTIONAL COMPONENTS

Drawing No.	Part No.	Description	K36L2-N	K48L2-N	K60L2-N
1	8000-409	Compressor H82J283DBSA	X		
1	8000-410	Compressor ZP39K5E-TF7-130		X	
1	8000-411	Compressor ZP49K5E-TF7-130			X
2	S900-345	Blower Assembly	X		
2	S900-346	Blower Assembly		X	
2	S900-347	Blower Assembly			X
3	8200-004	Fan Motor Mount	X	X	X
4	5151-027	Fan Blade	X	X	X
5	8105-067	Outdoor Fan Motor	X	X	
5	8106-063-0134	Outdoor Fan Motor			X
6	5051-180BX	Outdoor Condenser Coil	X		
6	5054-180BX (Coated)	Outdoor Condenser Coil	X		
6	5051-195BX	Outdoor Condenser Coil		X	X
6	5054-195BX (Coated)	Outdoor Condenser Coil		X	X
8	5060-164BX	Indoor Evaporator Coil	X		
8	5062-164BX (Coated)	Indoor Evaporator Coil	X		
8	917-0190BX	Indoor Evaporator Coil		X	X
8	917-0191BX	Indoor Evaporator Coil		X	X
9	7004-027	Air Filter 20" x 30" x 2" (MERV 8)	X	X	X
9	7004-051	Air Filter 20" x 30" x 2" (MERV 11)	X	X	X
9	7004-053	Air Filter 20" x 30" x 2" (MERV 13)	X	X	X
10	1171-022	1/4 Turn Fastener	X	X	X
11	1171-024	1/4 Turn Retainer	X	X	X
12	1171-023	1/4 Turn Receptacle	X	X	X
13	1804-0386	Low Pressure Switch Kit (40 PSIG)	X	X	X
17	5625-088	Cooling Distributor w/Orifice	X		
17	5625-135	Cooling Distributor w/Orifice		X	
17	5625-114	Cooling Distributor w/Orifice			X
18	1804-0462	High Pressure Switch Kit (650 PSIG)	X	X	X
NS	5201-022	Refrigerant Filter Drier	X	X	X

NS – Not Shown

CONTROL PANEL



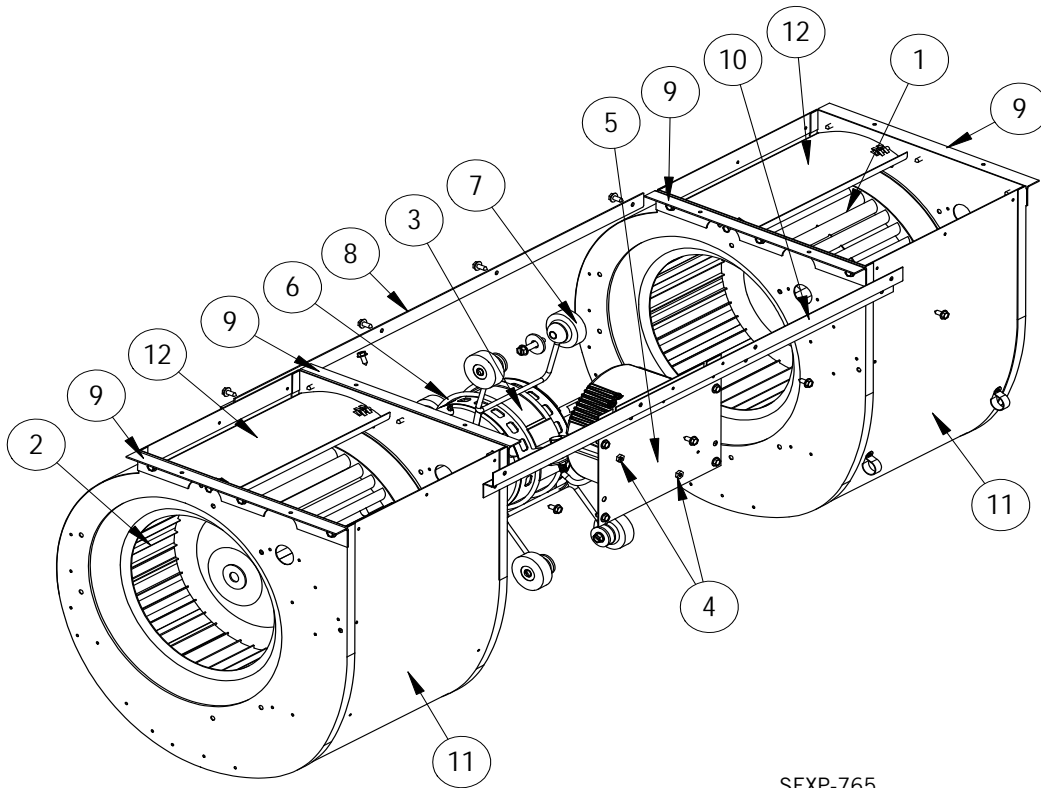
SEXP-767

CONTROL PANEL

Drawing No.	Part No.	Description	K36L2-N	K48L2-N	K60L2-N
1	8607-034	Low Voltage Terminal Strip	X	X	X
2	8407-063	Transformer 400/24VAC, 50VA	X	X	X
4	8607-014	Terminal Block 3 Terminal	X	X	X
5	8401-002	Compressor Contactor	X	X	X
7	135-130	Wire Shield	X	X	X
8	8611-006	Grounding Lug	X	X	X
9	3000-1484	Heater Connection Plug	X		X
9	3000-1231	Heater Connection Plug		X	
10	8201-157	Compressor Control Module	X	X	X
11	8201-126	Phase Monitor	X	X	X
14	8201-032	Blower Relay		X	
16	S517Y365	Control Panel Box	X		
16	S517Y367	Control Panel Box		X	X
19	8201-130	Alarm Relay	X	X	X
20	8552-026	Fan Motor Capacitor 15/370, 1-3/4" R	X	X	
21	8550-006	Capacitor Bracket 1-3/4" Round	X	X	
22	8607-017	Low Ambient Terminal Block	X	X	X
23	117Y333	Low Voltage Box Assembly	X		
23	117Y368	Low Voltage Box Assembly		X	X
24	117Y334	Low Voltage Partition	X	X	X
25	3000-1483	Blower Speed Plug Wire Harness	X		X
26	3000-1482	Blower Power Plug Wire Harness	X		X
27	8408-048	Freeze Stat	X	X	X
NS	3000-1231	Compressor Power Plug Wire Harness	X	X	X
NS	4095-900	Wiring Diagram	X		
NS	4095-901	Wiring Diagram		X	
NS	4095-902	Wiring Diagram			X

NS – Not Shown

BLOWER ASSEMBLY



SEXP-765

Drawing No.	Part No.	Description	K36L2-N	K48L2-N	K60L2-N
NS	S900-345	Complete Blower Assembly	X		
NS	S900-346	Complete Blower Assembly		X	
NS	S900-347	Complete Blower Assembly			X
1	5152-057	Blower Wheel CW Rotation	X	X	
1	5152-011	Blower Wheel CW Rotation			X
2	5152-058	Blower Wheel CCW Rotation	X	X	
2	5152-012	Blower Wheel CCW Rotation			X
3	8106-057	Blower Motor, 460 Volts	X		
3	8106-062	Blower Motor, 400 Volt		X	
3	S8107-029-0175	Blower Motor, (460V)			X
3	C8107-029-0175	Programmed Control Only (460V)			0
4	1012-215	#8-32 Steel Hex Nuts w/Star Washer	3		3
5	112-775	Motor Control Mounting Bracket	X		X
NS	8552-005	Capacitor, 10/370, 1-1/4" Oval		X	
NS	8550-003	Capacitor Bracket, 1-1/4" Oval		X	
6	8200-040	Motor Mount	X	X	X
7	5451-011	Motor Mount Grommets	6	6	6
8	105-881	Back Brace	X	X	X
9	105-880	Blower Side Angles	4	4	4
10	103-389	Hold-In Offset	X	X	X
11	151-101	Blower Housing	2	2	2
12	144-166	Diffuser	2	2	2