

---

# REPLACEMENT PARTS MANUAL

---

## Wall-Mounted SASO 2663 Certified Air Conditioner

### Models:

K36L2-N K48L2-N K60L2-N

---

#### General Notes

- Revised and/or additional pages may be issued from time to time.
- A complete and current manual consists of pages shown in the following contents section.

#### Important

- Contact the installing and/or local Bard distributor for all parts requirements. Make sure to have the complete model and serial number available from the unit rating plates.

#### Contents

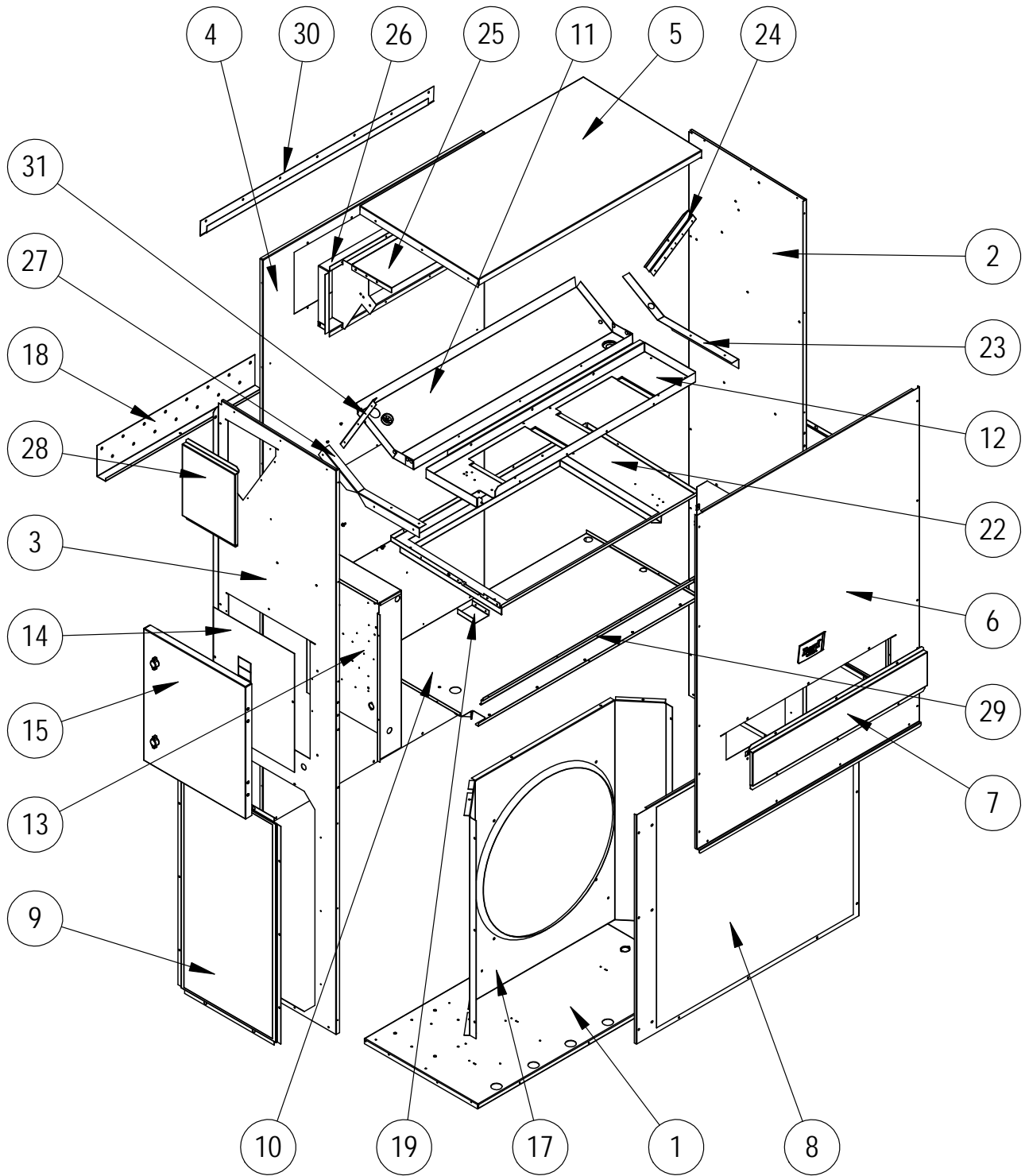
| <u>Description</u>                      | <u>Page</u> |
|---|-------------|
| Cabinet Components (Extreme Duty Door)  |             |
| ♦ Exploded View .....                   | 2           |
| ♦ Usage List .....                      | 3           |
| Cabinet Components (Moderate Duty Door) |             |
| ♦ Exploded View .....                   | 4           |
| ♦ Usage List .....                      | 5           |
| Functional Components                   |             |
| ♦ Exploded View .....                   | 6           |
| ♦ Usage List .....                      | 7           |
| Control Panel                           |             |
| ♦ Exploded View .....                   | 8           |
| ♦ Usage List .....                      | 9           |
| Blower Assembly                         |             |
| ♦ Exploded View .....                   | 10          |
| ♦ Usage List .....                      | 10          |



Bard Manufacturing Company, Inc.  
Bryan, Ohio 43506  
www.bardhvac.com

Manual: 2110-1420B  
Supersedes: 2110-1420A  
Date: 4-9-21

# CABINET COMPONENTS - STANDARD EXTREME DUTY DOOR



SEXP-762

## CABINET COMPONENTS – STANDARD EXTREME DUTY DOOR

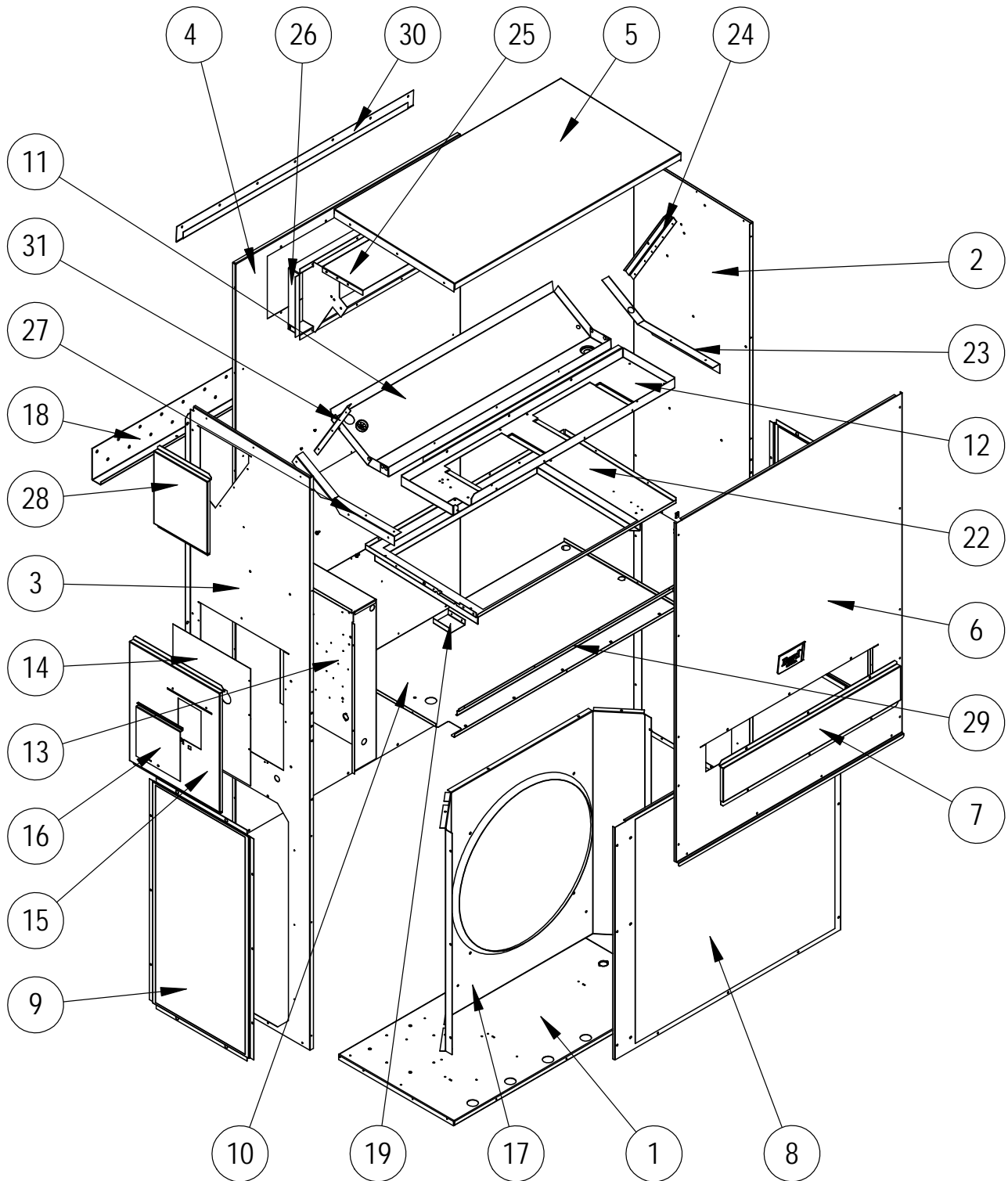
| Drawing No. | Part No.     | Description                     | K36L2 | K48L2 | K60L2 |
|-------------|--------------|---------------------------------|-------|-------|-------|
| 1           | 127-509      | Lower Base                      | X     |       |       |
| 1           | 127-512 ②    | Lower Base                      | X     |       |       |
| 1           | 127-428      | Lower Base                      |       | X     | X     |
| 1           | 127-436 ②    | Lower Base                      |       | X     | X     |
| 2           | S501-687-* ① | Right Side                      | X     |       |       |
| 2           | S501-715 ②   | Right Side                      | X     |       |       |
| 2           | S501-912-* ① | Right Side                      |       | X     | X     |
| 2           | S501-918 ②   | Right Side                      |       | X     | X     |
| 3           | S501-856-* ① | Left Side                       | X     |       |       |
| 3           | S501-857 ②   | Left Side                       | X     |       |       |
| 3           | S501-911-* ① | Left Side                       |       | X     | X     |
| 3           | S501-919 ②   | Left Side                       |       | X     | X     |
| 4           | S508-098     | Back Assembly                   | X     |       |       |
| 4           | S508-221 ②   | Back Assembly                   | X     |       |       |
| 4           | S509-251     | Back Assembly                   |       | X     | X     |
| 4           | S509-253 ②   | Back Assembly                   |       | X     | X     |
| 5           | S507-307-* ① | Top                             | X     | X     | X     |
| 5           | S507-310 ②   | Top                             | X     | X     | X     |
| 6           | S553-648-* ① | Front Service Panel             | X     |       |       |
| 6           | S553-652 ②   | Front Service Panel             | X     |       |       |
| 6           | S553-650-* ① | Front Service Panel             |       | X     | X     |
| 6           | S553-653 ②   | Front Service Panel             |       | X     | X     |
| 7           | S543-192-* ① | Filter Access Cover             | X     | X     | X     |
| 7           | S543-197 ②   | Filter Access Cover             | X     | X     | X     |
| 8           | 118-049-* ①  | Front Condenser Grille          | X     |       |       |
| 8           | 118-074 ②    | Front Condenser Grille          | X     |       |       |
| 8           | 118-094-* ①  | Front Condenser Grille          |       | X     | X     |
| 8           | 118-099 ②    | Front Condenser Grille          |       | X     | X     |
| 9           | 118-057-* ①  | Side Inlet Grille               | X     |       |       |
| 9           | 118-073 ②    | Side Inlet Grille               | X     |       |       |
| 9           | 118-086-* ①  | Side Inlet Grille               |       | X     | X     |
| 9           | 118-090 ②    | Side Inlet Grille               |       | X     | X     |
| 10          | S521Y522     | Condenser Partition             | X     | X     | X     |
| 11          | S123-145     | Evaporator Drain Pan            | X     | X     | X     |
| 11          | S123-150 ②   | Evaporator Drain Pan            | X     | X     | X     |
| 12          | 121Y463      | Left Hand Blower Partition      | X     | X     | X     |
| 13          | 517Y365      | Control Panel Wrapper           | X     |       |       |
| 13          | 517Y367      | Control Panel Wrapper           |       | X     | X     |
| 14          | 132-171      | Inner Control Panel Cover       | X     | X     | X     |
| 15          | DDD5L-*      | Exterior Control Panel Cover    | X     | X     | X     |
| 17          | 125-069      | Fan Shroud                      | X     |       |       |
| 17          | 125-078 ②    | Fan Shroud                      | X     |       |       |
| 17          | 125-070      | Fan Shroud                      |       | X     | X     |
| 17          | 125-079 ②    | Fan Shroud                      |       | X     | X     |
| 18          | 113-140      | Bottom Support Mounting Bracket | X     | X     | X     |
| 19          | 137-209      | Filter Fill Plate               | X     | X     | X     |
| 22          | 131Y164      | Filter Tray                     | X     | X     | X     |
| NS          | 131-165      | Filter Tray Angle               | X     | X     | X     |
| 23          | 105Y877      | Right Upper Support Angle       | X     | X     | X     |
| 24          | 147-046      | Coil Mount Offset Angle         | X     | X     | X     |
| 25          | 135-129      | Heat Shield                     | X     | X     | X     |
| 26          | 111Y034      | Supply Air Duct Flange          | X     | X     | X     |
| 27          | 105Y878      | Left Upper Support Angle        | X     | X     | X     |
| 28          | S543-172-* ① | Heater Access Cover             | X     | X     | X     |
| 28          | S543-177 ②   | Heater Access Cover             | X     | X     | X     |
| 29          | 113Y579      | Front Door Securement Angle     | X     | X     | X     |
| 30          | 113-150-* ①  | Rain Flashing                   | X     | X     | X     |
| 30          | 113-359 ②    | Rain Flashing                   | X     | X     | X     |

① Exterior cabinet parts are manufactured with various paint color options. To ensure the proper paint color is received, include the complete model and serial number of the unit for which cabinet parts are being ordered.

② Exterior cabinet parts are manufactured from stainless steel Code "S"

NS – Not Shown

# CABINET COMPONENTS - OPTIONAL MODERATE DUTY DOOR



SEXP-764

## CABINET COMPONENTS – OPTIONAL MODERATE DUTY DOOR

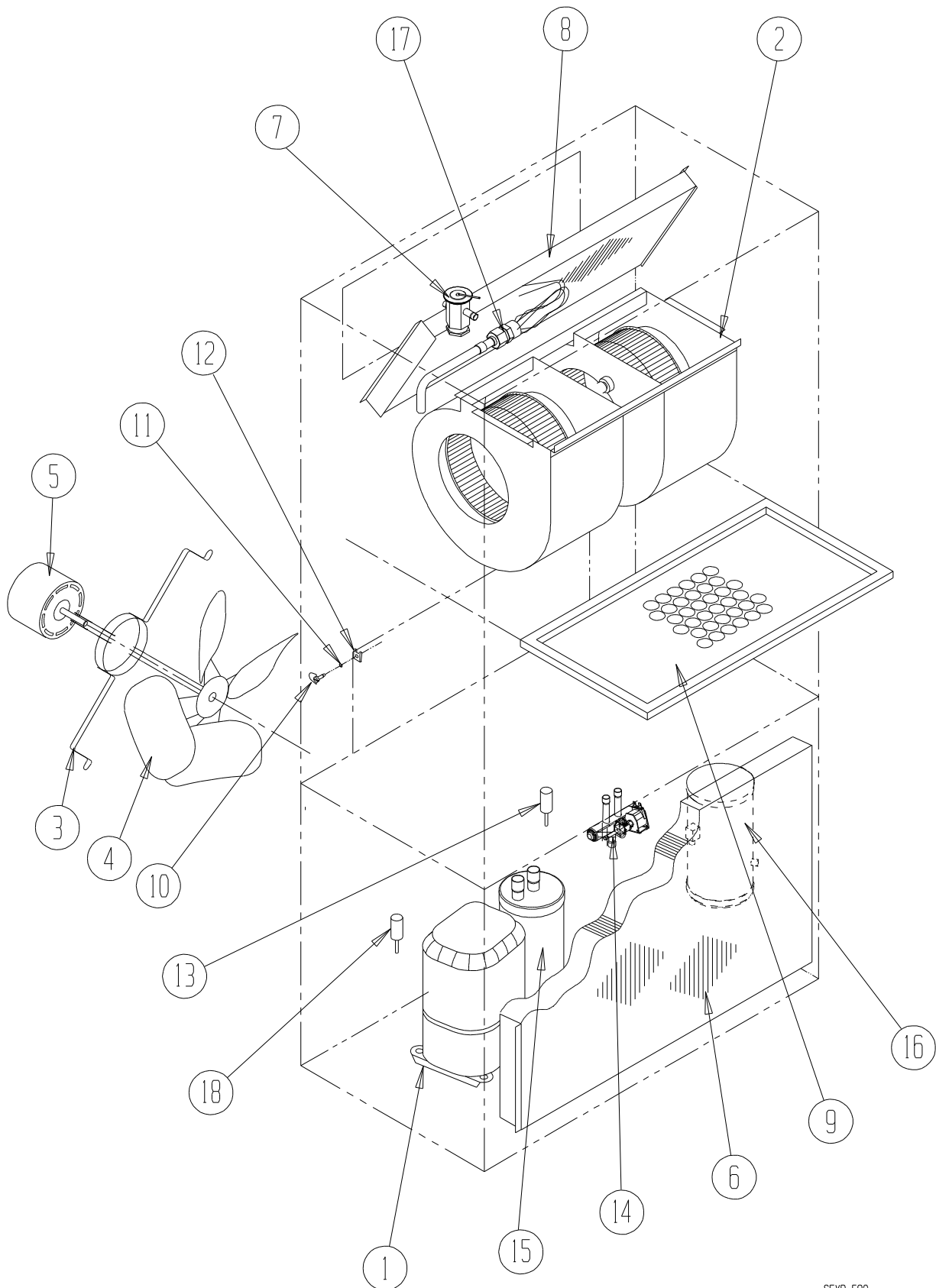
| Drawing No. | Part No.     | Description                     | K36L2 | K48L2 | K60L2 |
|-------------|--------------|---------------------------------|-------|-------|-------|
| 1           | 127-509      | Lower Base                      | X     |       |       |
| 1           | 127-512 ②    | Lower Base                      | X     |       |       |
| 1           | 127-428      | Lower Base                      |       | X     | X     |
| 1           | 127-436 ②    | Lower Base                      |       | X     | X     |
| 2           | S501-687-* ① | Right Side                      | X     |       |       |
| 2           | S501-715 ②   | Right Side                      | X     |       |       |
| 2           | S501-912-* ① | Right Side                      |       | X     | X     |
| 2           | S501-918 ②   | Right Side                      |       | X     | X     |
| 3           | S501-680-* ① | Left Side                       | X     |       |       |
| 3           | S501-716 ②   | Left Side                       | X     |       |       |
| 3           | S501-910-* ① | Left Side                       |       | X     | X     |
| 3           | S501-920 ②   | Left Side                       |       | X     | X     |
| 4           | S508-098     | Back Assembly                   | X     |       |       |
| 4           | S508-221 ②   | Back Assembly                   | X     |       |       |
| 4           | S509-251     | Back Assembly                   |       | X     | X     |
| 4           | S509-253 ②   | Back Assembly                   |       | X     | X     |
| 5           | S507-307-* ① | Top                             | X     | X     | X     |
| 5           | S507-310 ②   | Top                             | X     | X     | X     |
| 6           | S553-648-* ① | Front Service Panel             | X     |       |       |
| 6           | S553-652 ②   | Front Service Panel             | X     |       |       |
| 6           | S553-650-* ① | Front Service Panel             |       | X     | X     |
| 6           | S553-653 ②   | Front Service Panel             |       | X     | X     |
| 7           | S543-192-* ① | Filter Access Cover             | X     | X     | X     |
| 7           | S543-197 ②   | Filter Access Cover             | X     | X     | X     |
| 8           | 118-049-* ①  | Front Condenser Grille          | X     |       |       |
| 8           | 118-074 ②    | Front Condenser Grille          | X     |       |       |
| 8           | 118-094-* ①  | Front Condenser Grille          |       | X     | X     |
| 8           | 118-099 ②    | Front Condenser Grille          |       | X     | X     |
| 9           | 118-057-* ①  | Side Inlet Grille               | X     |       |       |
| 9           | 118-073 ②    | Side Inlet Grille               | X     |       |       |
| 9           | 118-086-* ①  | Side Inlet Grille               |       | X     | X     |
| 9           | 118-090 ②    | Side Inlet Grille               |       | X     | X     |
| 10          | S521Y522     | Condenser Partition             | X     | X     | X     |
| 11          | S123-145     | Evaporator Drain Pan            | X     | X     | X     |
| 11          | S123-150 ②   | Evaporator Drain Pan            | X     | X     | X     |
| 12          | 121Y463      | Left Hand Blower Partition      | X     | X     | X     |
| 13          | 517Y365      | Control Panel Wrapper           | X     |       |       |
| 13          | 517Y367      | Control Panel Wrapper           |       | X     | X     |
| 14          | 132-171      | Inner Control Panel Cover       | X     | X     | X     |
| 15          | S533-227-* ① | Exterior Control Panel Cover    | X     | X     | X     |
| 15          | S533-233 ②   | Exterior Control Panel Cover    | X     | X     | X     |
| 17          | 125-069      | Fan Shroud                      | X     |       |       |
| 17          | 125-078 ②    | Fan Shroud                      | X     |       |       |
| 17          | 125-070      | Fan Shroud                      |       | X     | X     |
| 17          | 125-079 ②    | Fan Shroud                      |       | X     | X     |
| 18          | 113-140      | Bottom Support Mounting Bracket | X     | X     | X     |
| 19          | S137-1006    | Filter Fill Plate               | X     | X     | X     |
| 22          | 131Y164      | Filter Tray                     | X     | X     | X     |
| NS          | 131-165      | Filter Tray Angle               | X     | X     | X     |
| 23          | 105Y877      | Right Upper Support Angle       | X     | X     | X     |
| 24          | 147-046      | Coil Mount Offset Angle         | X     | X     | X     |
| 25          | 135-129      | Heat Shield                     | X     | X     | X     |
| 26          | 111Y034      | Supply Air Duct Flange          | X     | X     | X     |
| 27          | 105Y878      | Left Upper Support Angle        | X     | X     | X     |
| 28          | S543-172-* ① | Heater Access Cover             | X     | X     | X     |
| 28          | S543-177 ②   | Heater Access Cover             | X     | X     | X     |
| 29          | 113Y579      | Front Door Securement Angle     | X     | X     | X     |
| 30          | 113-150-* ①  | Rain Flashing                   | X     | X     | X     |
| 30          | 113-359 ②    | Rain Flashing                   | X     | X     | X     |

① Exterior cabinet parts are manufactured with various paint color options. To ensure the proper paint color is received, include the complete model and serial number of the unit for which cabinet parts are being ordered.

② Exterior cabinet parts are manufactured from stainless steel Code "S"

NS – Not Shown

# FUNCTIONAL COMPONENTS



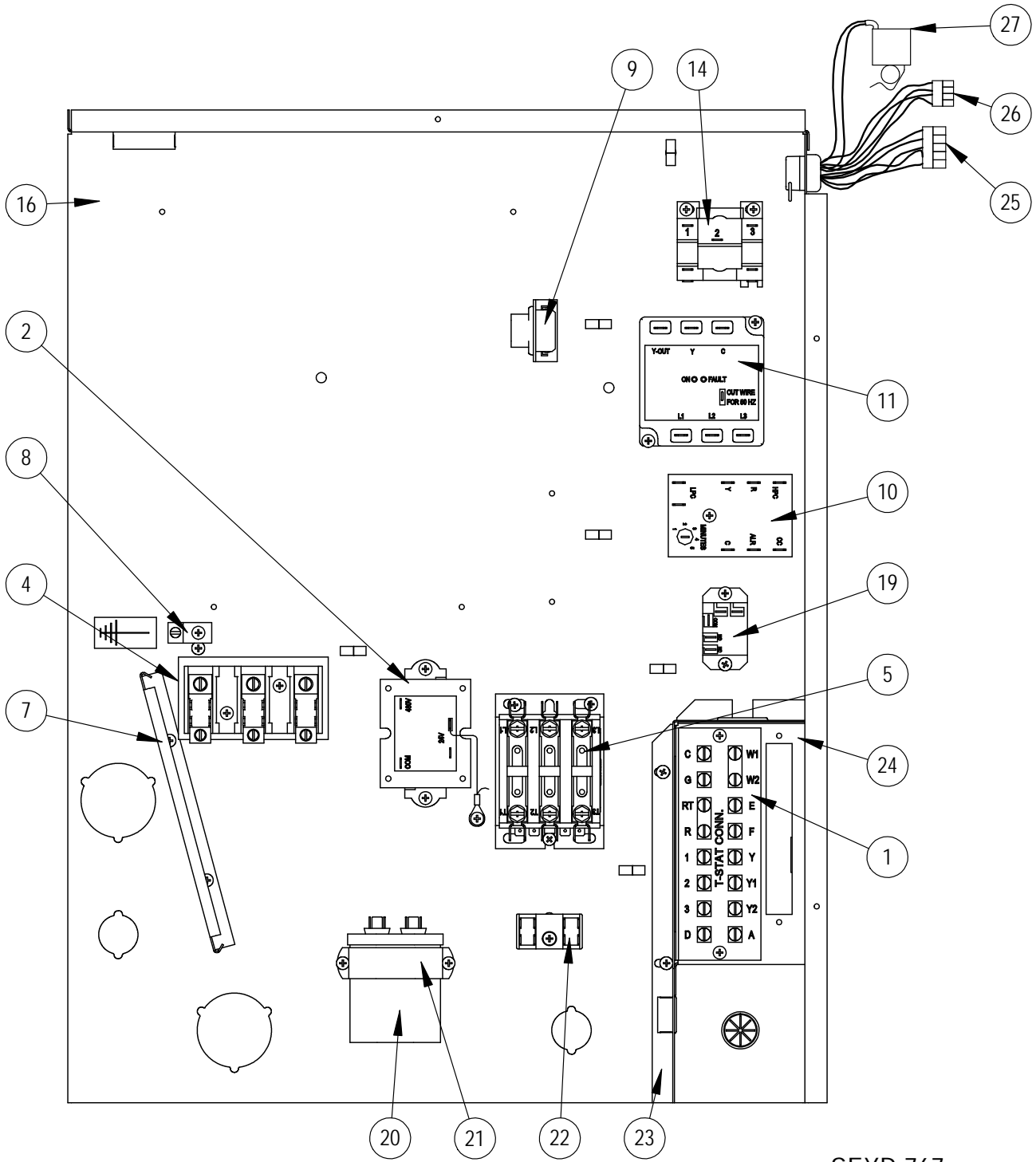
SEXP-590

# FUNCTIONAL COMPONENTS

| Drawing No. | Part No.            | Description                         | K36L2-N | K48L2-N | K60L2-N |
|-------------|---------------------|-------------------------------------|---------|---------|---------|
| 1           | 8000-409            | Compressor H82J283DBSA              | X       |         |         |
| 1           | 8000-410            | Compressor ZP39K5E-TF7-130          |         | X       |         |
| 1           | 8000-411            | Compressor ZP49K5E-TF7-130          |         |         | X       |
| 2           | S900-345            | Blower Assembly                     | X       |         |         |
| 2           | S900-346            | Blower Assembly                     |         | X       |         |
| 2           | S900-347            | Blower Assembly                     |         |         | X       |
| 3           | 8200-004            | Fan Motor Mount                     | X       | X       | X       |
| 4           | 5151-027            | Fan Blade                           | X       | X       | X       |
| 5           | 8105-067            | Outdoor Fan Motor                   | X       | X       |         |
| 5           | 8106-063-0134       | Outdoor Fan Motor                   |         |         | X       |
| 6           | 5051-180BX          | Outdoor Condenser Coil              | X       |         |         |
| 6           | 5054-180BX (Coated) | Outdoor Condenser Coil              | X       |         |         |
| 6           | 5051-195BX          | Outdoor Condenser Coil              |         | X       | X       |
| 6           | 5054-195BX (Coated) | Outdoor Condenser Coil              |         | X       | X       |
| 8           | 5060-164BX          | Indoor Evaporator Coil              | X       |         |         |
| 8           | 5062-164BX (Coated) | Indoor Evaporator Coil              | X       |         |         |
| 8           | 917-0190BX          | Indoor Evaporator Coil              |         | X       | X       |
| 8           | 917-0191BX          | Indoor Evaporator Coil              |         | X       | X       |
| 9           | 7004-027            | Air Filter 20" x 30" x 2" (MERV 8)  | X       | X       | X       |
| 9           | 7004-051            | Air Filter 20" x 30" x 2" (MERV 11) | X       | X       | X       |
| 9           | 7004-053            | Air Filter 20" x 30" x 2" (MERV 13) | X       | X       | X       |
| 10          | 1171-022            | 1/4 Turn Fastener                   | X       | X       | X       |
| 11          | 1171-024            | 1/4 Turn Retainer                   | X       | X       | X       |
| 12          | 1171-023            | 1/4 Turn Receptacle                 | X       | X       | X       |
| 13          | 1804-0386           | Low Pressure Switch Kit (40 PSIG)   | X       | X       | X       |
| 17          | 5625-088            | Cooling Distributor w/Orifice       | X       |         |         |
| 17          | 5625-135            | Cooling Distributor w/Orifice       |         | X       |         |
| 17          | 5625-114            | Cooling Distributor w/Orifice       |         |         | X       |
| 18          | 1804-0462           | High Pressure Switch Kit (650 PSIG) | X       | X       | X       |
| NS          | 5201-022            | Refrigerant Filter Drier            | X       | X       | X       |

NS – Not Shown

# CONTROL PANEL



SEXP-767

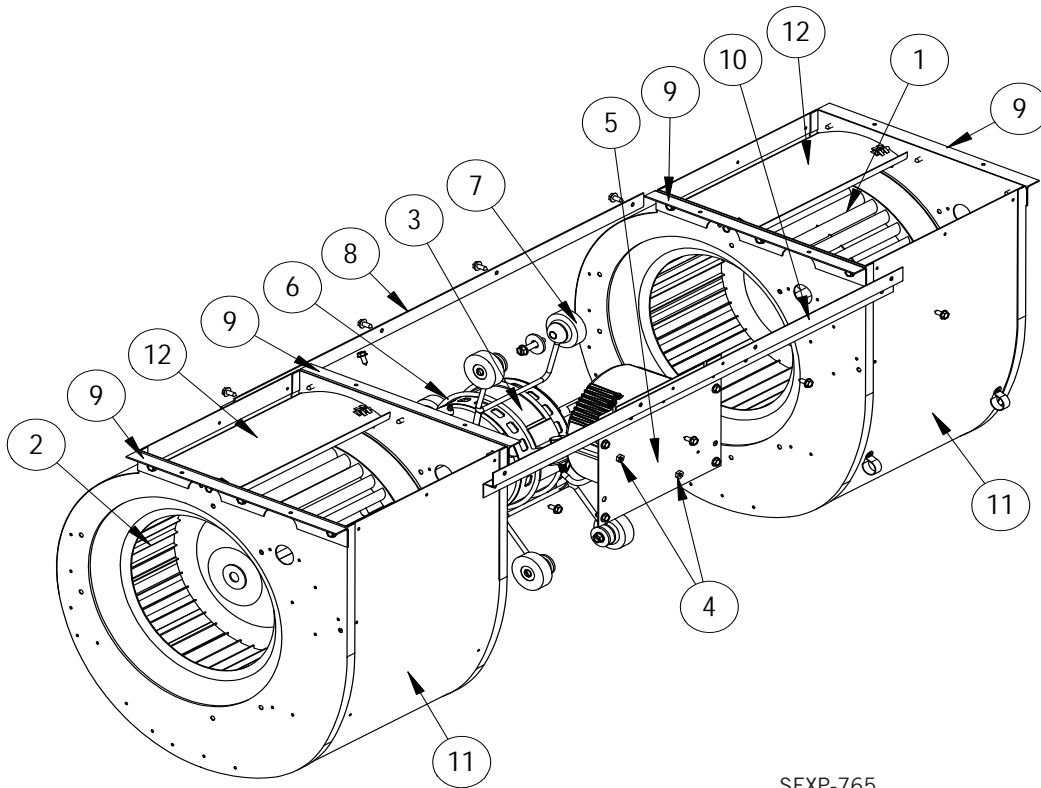


# CONTROL PANEL

| Drawing No. | Part No.  | Description                          | K36L2-N | K48L2-N | K60L2-N |
|-------------|-----------|--------------------------------------|---------|---------|---------|
| 1           | 8607-034  | Low Voltage Terminal Strip           | X       | X       | X       |
| 2           | 8407-063  | Transformer 400/24VAC, 50VA          | X       | X       | X       |
| 4           | 8607-014  | Terminal Block 3 Terminal            | X       | X       | X       |
| 5           | 8401-002  | Compressor Contactor                 | X       | X       | X       |
| 7           | 135-130   | Wire Shield                          | X       | X       | X       |
| 8           | 8611-006  | Grounding Lug                        | X       | X       | X       |
| 9           | 3000-1484 | Heater Connection Plug               | X       |         | X       |
| 9           | 3000-1231 | Heater Connection Plug               |         | X       |         |
| 10          | 8201-157  | Compressor Control Module            | X       | X       | X       |
| 11          | 8201-126  | Phase Monitor                        | X       | X       | X       |
| 14          | 8201-032  | Blower Relay                         |         | X       |         |
| 16          | S517Y365  | Control Panel Box                    | X       |         |         |
| 16          | S517Y367  | Control Panel Box                    |         | X       | X       |
| 19          | 8201-130  | Alarm Relay                          | X       | X       | X       |
| 20          | 8552-026  | Fan Motor Capacitor 15/370, 1-3/4" R | X       | X       |         |
| 21          | 8550-006  | Capacitor Bracket 1-3/4" Round       | X       | X       |         |
| 22          | 8607-017  | Low Ambient Terminal Block           | X       | X       | X       |
| 23          | 117Y333   | Low Voltage Box Assembly             | X       |         |         |
| 23          | 117Y368   | Low Voltage Box Assembly             |         | X       | X       |
| 24          | 117Y334   | Low Voltage Partition                | X       | X       | X       |
| 25          | 3000-1483 | Blower Speed Plug Wire Harness       | X       |         | X       |
| 26          | 3000-1482 | Blower Power Plug Wire Harness       | X       |         | X       |
| 27          | 8408-048  | Freeze Stat                          | X       | X       | X       |
| NS          | 3000-1231 | Compressor Power Plug Wire Harness   | X       | X       | X       |
| NS          | 4095-900  | Wiring Diagram                       | X       |         |         |
| NS          | 4095-901  | Wiring Diagram                       |         | X       |         |
| NS          | 4095-902  | Wiring Diagram                       |         |         | X       |

NS – Not Shown

# BLOWER ASSEMBLY



SEXP-765

| Drawing No. | Part No.       | Description                        | K36L2-N | K48L2-N | K60L2-N |
|-------------|----------------|------------------------------------|---------|---------|---------|
| NS          | S900-345       | Complete Blower Assembly           | X       |         |         |
| NS          | S900-346       | Complete Blower Assembly           |         | X       |         |
| NS          | S900-347       | Complete Blower Assembly           |         |         | X       |
| 1           | 5152-057       | Blower Wheel CW Rotation           | X       | X       |         |
| 1           | 5152-011       | Blower Wheel CW Rotation           |         |         | X       |
| 2           | 5152-058       | Blower Wheel CCW Rotation          | X       | X       |         |
| 2           | 5152-012       | Blower Wheel CCW Rotation          |         |         | X       |
| 3           | 8106-057       | Blower Motor, 460 Volts            | X       |         |         |
| 3           | 8106-062       | Blower Motor, 400 Volt             |         | X       |         |
| 3           | S8107-029-0175 | Blower Motor, (460V)               |         |         | X       |
| 3           | C8107-029-0175 | Programmed Control Only (460V)     |         |         | 0       |
| 4           | 1012-215       | #8-32 Steel Hex Nuts w/Star Washer | 3       |         | 3       |
| 5           | 112-775        | Motor Control Mounting Bracket     | X       |         | X       |
| NS          | 8552-005       | Capacitor, 10/370, 1-1/4" Oval     |         | X       |         |
| NS          | 8550-003       | Capacitor Bracket, 1-1/4" Oval     |         | X       |         |
| 6           | 8200-040       | Motor Mount                        | X       | X       | X       |
| 7           | 5451-011       | Motor Mount Grommets               | 6       | 6       | 6       |
| 8           | 105-881        | Back Brace                         | X       | X       | X       |
| 9           | 105-880        | Blower Side Angles                 | 4       | 4       | 4       |
| 10          | 103-389        | Hold-In Offset                     | X       | X       | X       |
| 11          | 151-101        | Blower Housing                     | 2       | 2       | 2       |
| 12          | 144-166        | Diffuser                           | 2       | 2       | 2       |